



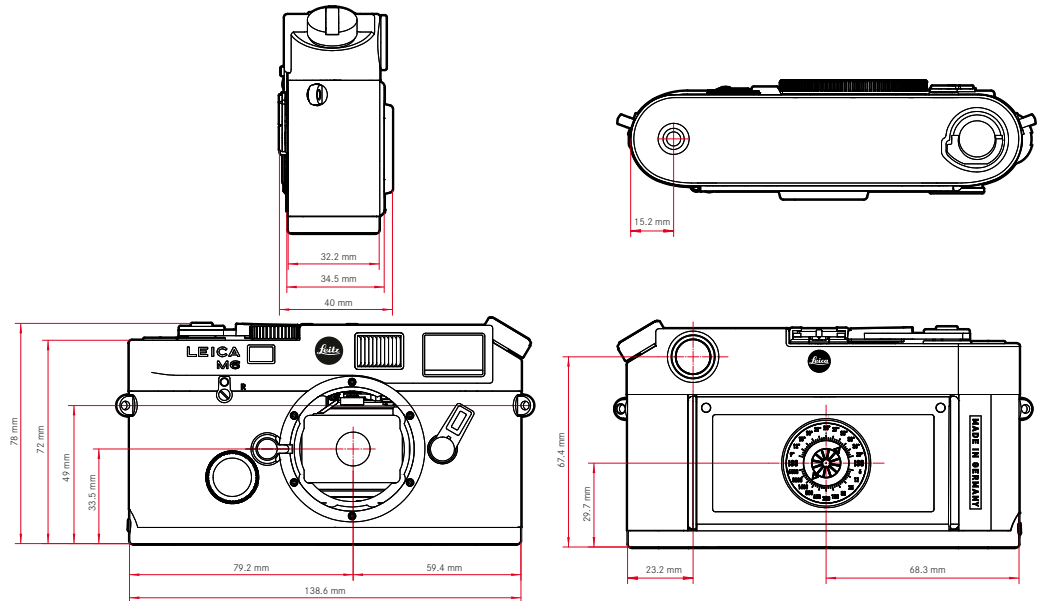
# LEICA M6

## Technical Data.



<b>Designation</b>	<b>Leica M6</b>
Camera type	Analogue rangefinder system camera (35 mm)
Type No.	2248
Order No.	Black: 10 557
Material	Closed full metal housing, Top cover and bottom cover: brass, black finish
Lens mount	Leica M bayonet
Operating conditions	0°C to +40°C
Interfaces	ISO accessory shoe
Tripod thread	A 1/4 DIN 4503 (1/4") with stainless steel in the base

### Dimensions



<b>Weight</b>	<b>575 g (without battery)</b>
---------------	--------------------------------



# LEICA M6

<b>Viewfinder</b>	Large, bright-line rangefinder with automatic parallax compensation
Parallax compensation	The horizontal and vertical difference between viewfinder and lens is compensated automatically in line with the relevant focus setting. Congruence of viewfinder and actual image. The size of the bright-line frame matches the distance: <ul style="list-style-type: none"><li>- at 2 m: the exact sensor size of approx. 23.9 x 35.8 mm</li><li>- at infinity: (depending on focal length) approx. 7.3% (28 mm) to 18% (135 mm)</li><li>- less than 2 m: less than film size</li></ul>
Viewfinder magnification	x0.72 (all lenses)
Wide- base rangefinder	Split and superimposed image rangefinder shown as a bright field in the center of the viewfinder image.
<b>Shutter</b>	
Shutter type	Focal plane shutter with rubber liner, mechanically controlled
Shutter speeds	Mech. shutter: 1 s - 1/1000 s Flash Synch: up to 1/50 s
Shutter release	Two-stage: Power up (activation of exposure meter) - Release. Integrated standard cable release thread.
<b>Film winding</b>	
Loading	Manual with quick wind lever or LEICAVIT M, motorized with LEICA MOTOR-M, LEICA WINDER-M, LEICA WINDER
Rewinding	Manual with telescopic rewind knob
Frame counter	On top of camera. Automatic reset after removal of bottom cover.
<b>Focusing</b>	
Working range	70 cm to $\infty$
Focus mode	Manual
<b>Exposure</b>	
Exposure metering	TTL (exposure metering through the lens), with working aperture
Metering cell	Silicon photo diode with convex lens to the top left behind the camera bayonet.
Film speed range	Manual setting from ISO 6/9° to ISO 6400/39°.
Metering principle	The light reflected by a metering spot in the center of the 1st shutter curtain is metered. The metering spot has a diameter of 12mm and therefore corresponds to approx. 13% of the full negative format or around 2/3 of the short side of the corresponding frame in the viewfinder.
Exposure control mode	Manual shutter speed and aperture setting, adjustment using LED light balance.
<b>Flash</b>	
Flash unit connection	Via accessory shoe
Synchronisation	On the 1st shutter curtain
Flash sync speed	⚡: 1/50s; slower shutter speeds possible.
Flash exposure control	Via computer control of flash unit or via guide number calculation and manual setting for the required aperture.
<b>Power Supply</b>	2 Silver oxide button cells (PX76/SR44) or 1 Lithium battery (DL1/3N)