



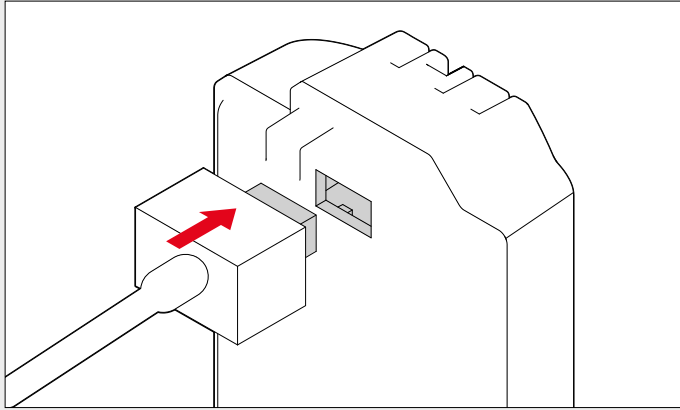
LEICA S3

QUICK START GUIDE

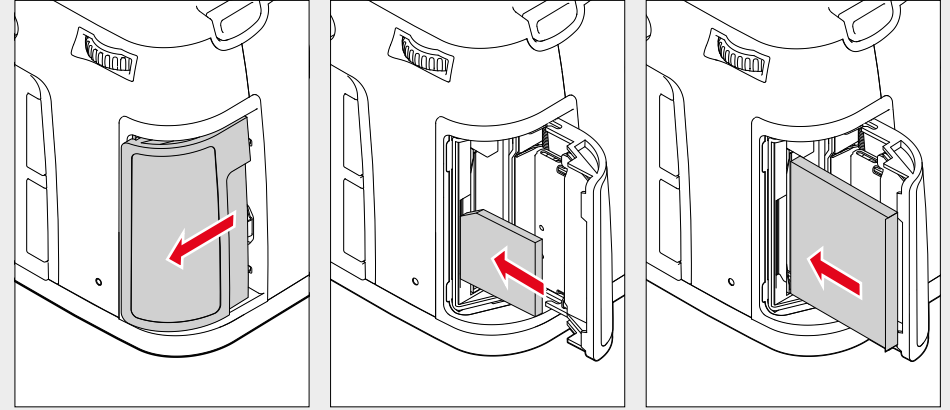
TABLE OF CONTENTS

TABLE OF CONTENTS.....	3
CHARGE BATTERY.....	4
INSERT BATTERY.....	4
INSERT MEMORY CARD.....	5
MOUNT & UNMOUNT LENS.....	5
OPERATION ELEMENTS.....	6
INTERFACES.....	7
BOTTOM VIEW.....	7
VIEWFINDER.....	8
STATUS SCREEN.....	9
TOP DISPLAY.....	10
SWITCH ON CAMERA.....	11
TAKING PHOTOS / VIDEO RECORDING.....	11
VIDEO SETTINGS.....	12
VIDEO STORAGE.....	13
EXTERNAL AUDIO.....	13
ENTER STATUS SCREEN & PLAY MODE.....	14
ENTER MENU & PLAY MODE.....	14
MENU.....	15
MENU - QUICK ACCESS / CUSTOMIZE CONTROLS.....	16
BASIC CAMERA SETUP.....	17
PLAY MODE PHOTO.....	18
PLAY MODE VIDEO.....	19
PLAY MODE INFO SCREENS.....	20
EXPOSURE CONTROL MODES.....	21
LIVE VIEW PHOTO.....	22
LIVE VIEW VIDEO.....	24
LIGHTROOM TETHERED PLUG-IN.....	26
TETHERED SHOOTING - LEICA IMAGE SHUTTLE™ WORKFLOW.....	34
MENU LIST.....	35
LEICA FOTOS APP.....	35

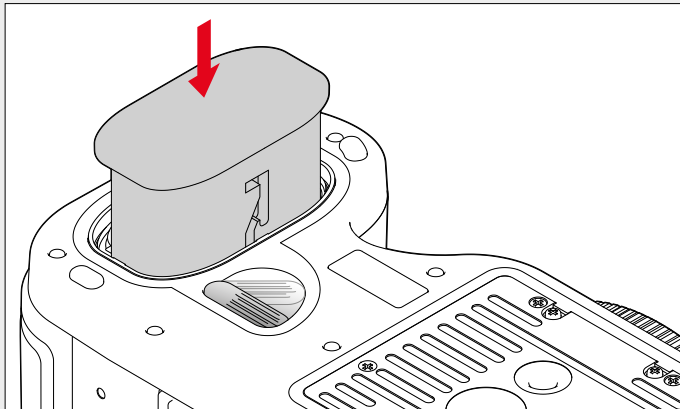
CHARGE BATTERY



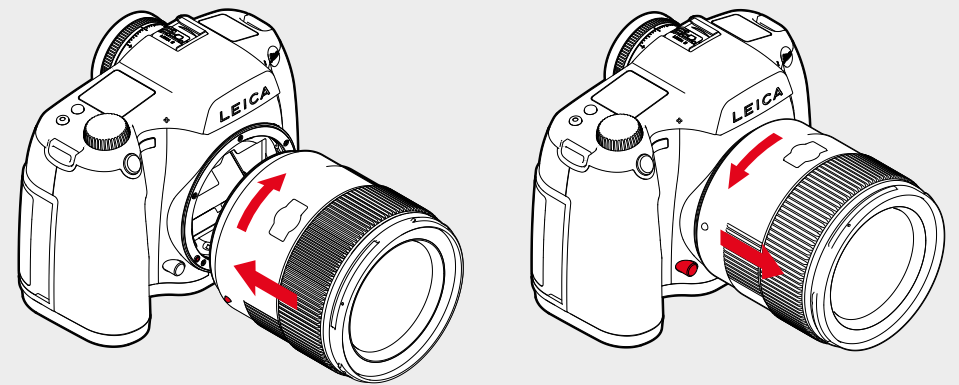
INSERT MEMORY CARD



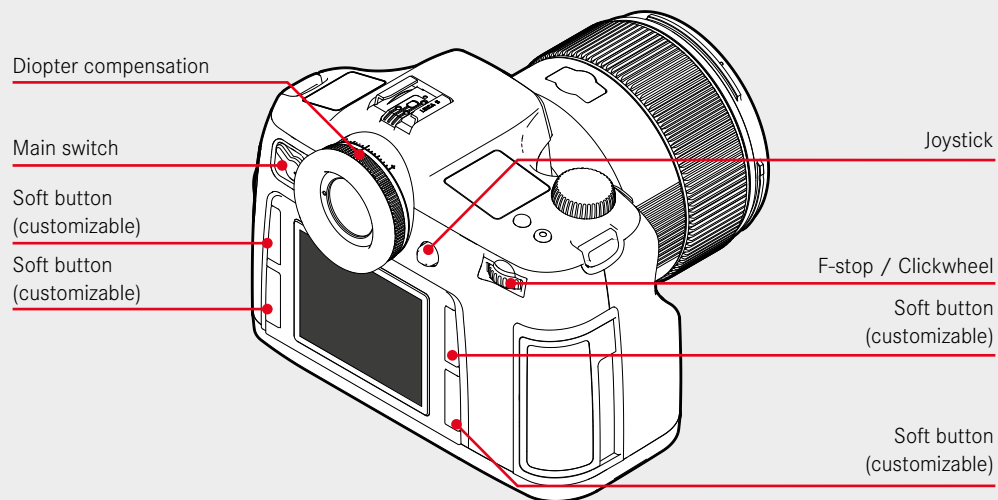
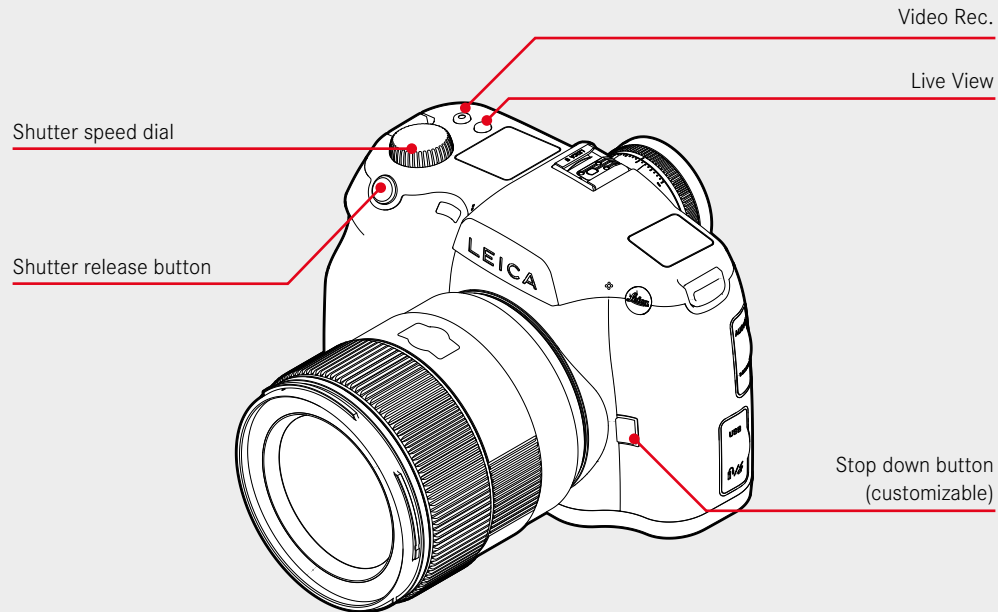
INSERT BATTERY



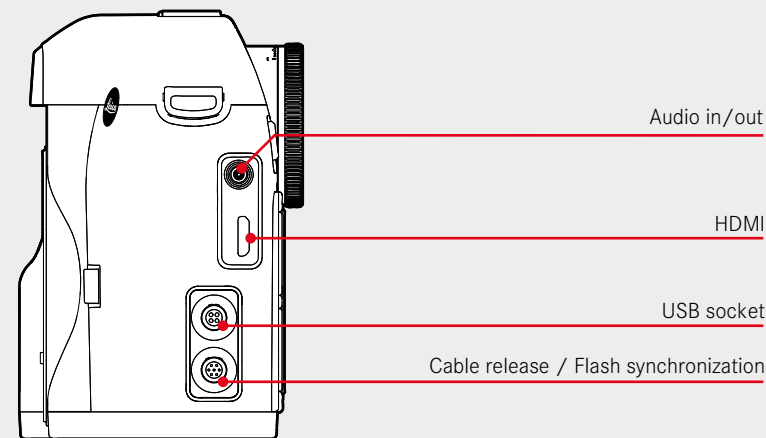
MOUNT & UNMOUNT LENS



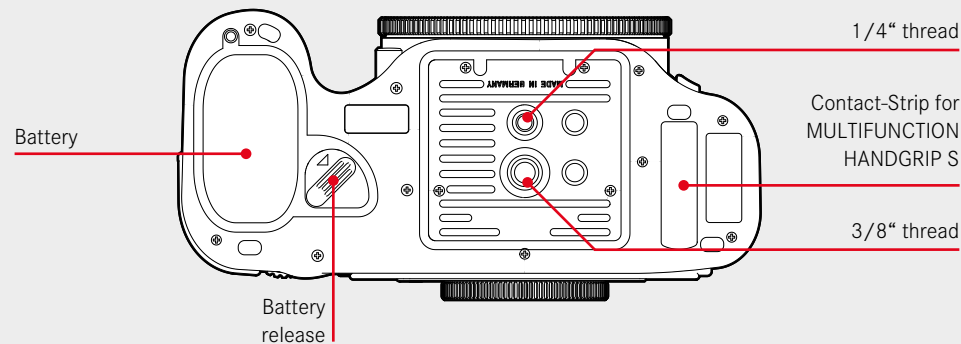
OPERATION ELEMENTS



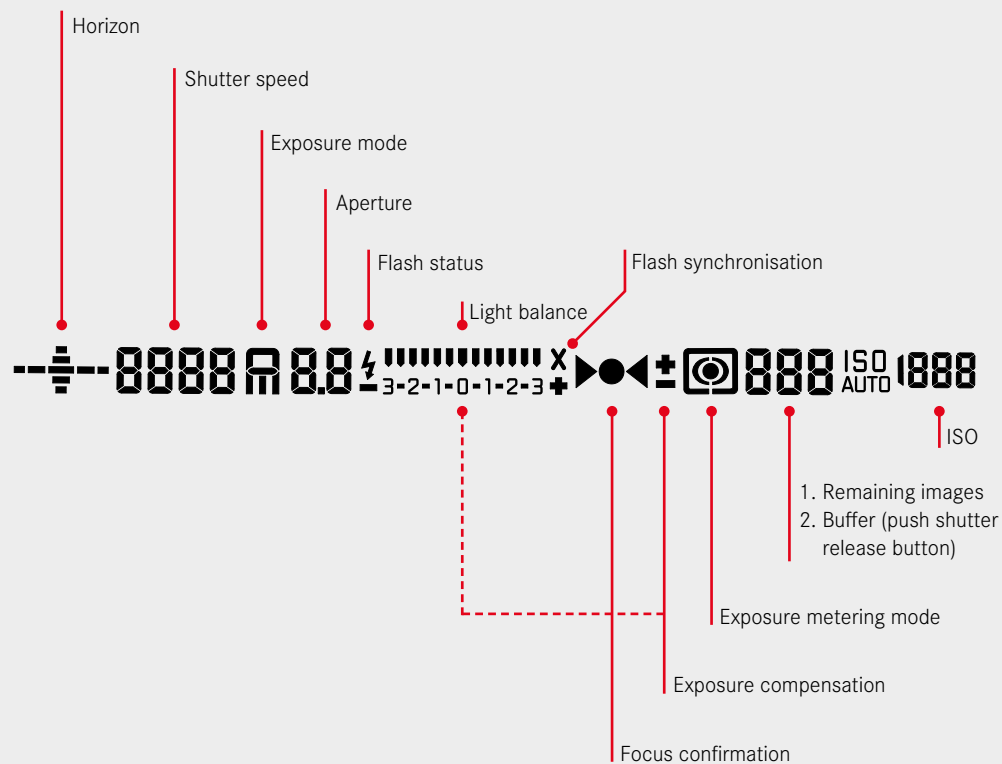
INTERFACES



BOTTOM VIEW



VIEWFINDER



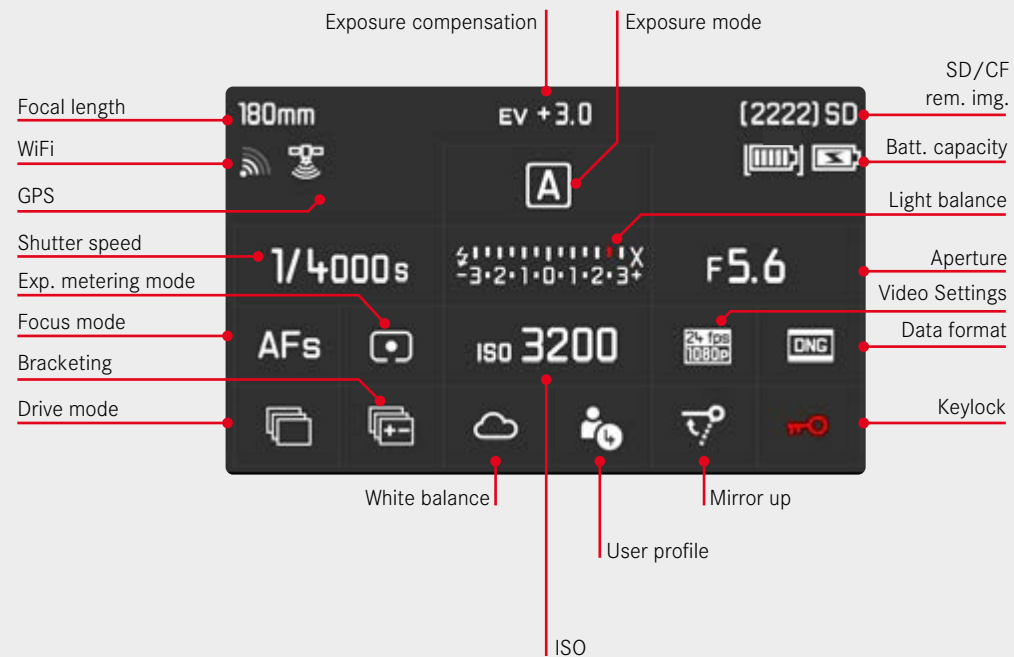
Exposure mode:

P : Automatic program **T** : Shutter speed priority
A : Aperture priority **m** : Manual exposure

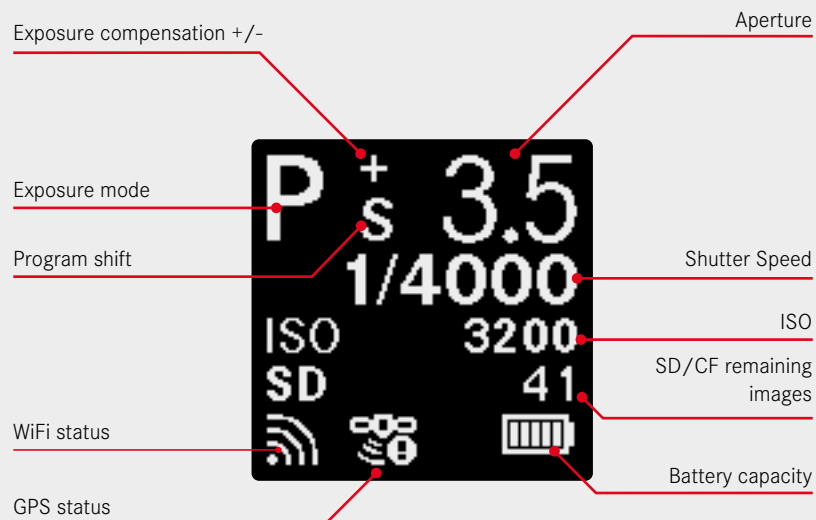
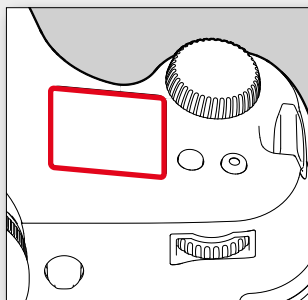
Exp. Metering Mode:

: Multi-field : Spot
 : Center-weighted

STATUS SCREEN

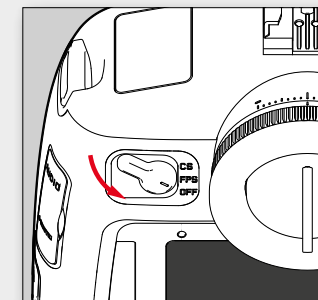


TOP DISPLAY



SWITCH ON CAMERA

Main switch	Shutter speed	Flash sync
FPS (Focal plane shutter)	all	up to 1/125s
CS (Central shutter)	8s to 1/1000s	up to 1/1000s



TIP

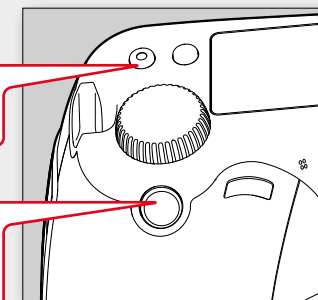
After booting, the camera will be in Record Mode. Most sequences of this Quick Start Guide will begin in this state.

TAKING PHOTOS / VIDEO RECORDING

Start/Stop
Video recording

Two step Shutter Release

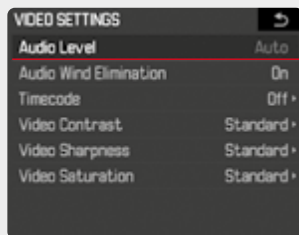
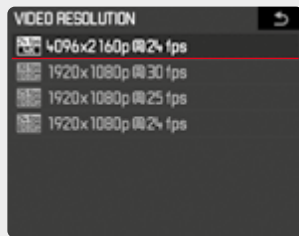
1. Step: AF start / AE activation
2. Step: Release Shutter



TIP

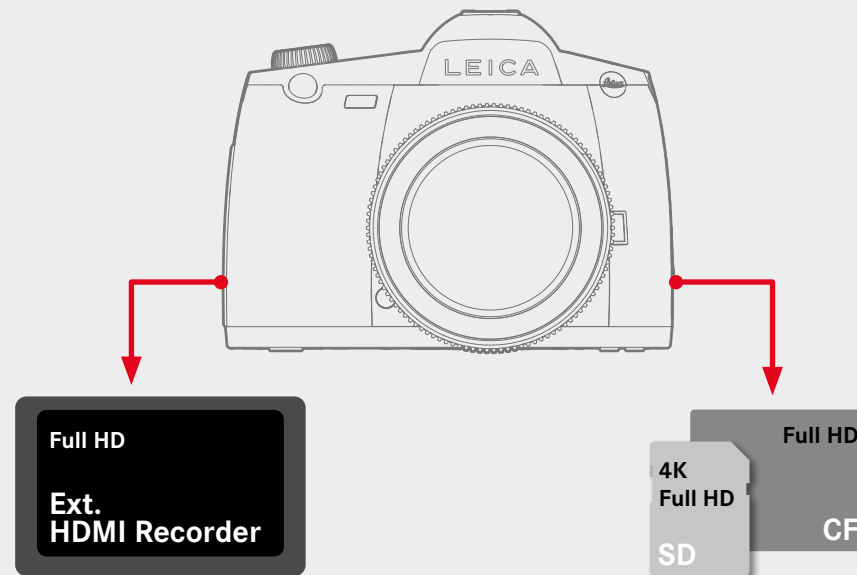
Press the shutter release button halfway to exit menus and return to Record mode.

VIDEO SETTINGS

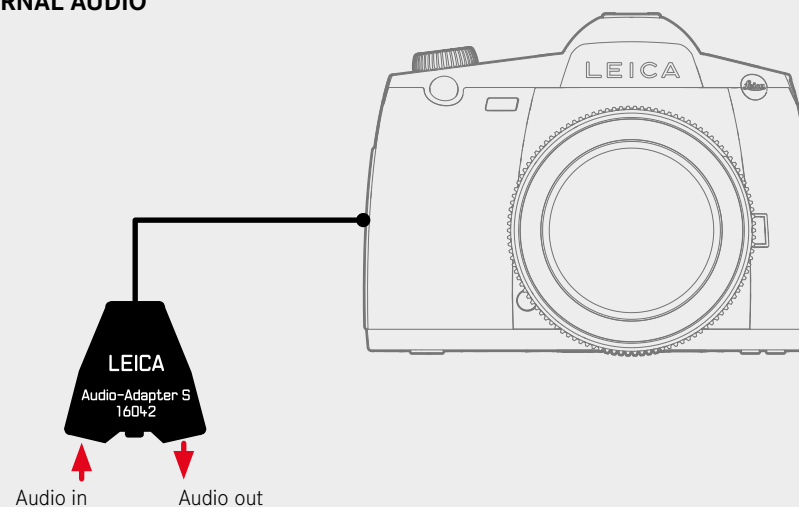


	24 fps	25 fps	30 fps	Crop factor
4K (4096x2160px)	●	●	●	Whole sensor width
Full HD (1920x1080px)	●	●	●	Whole sensor width

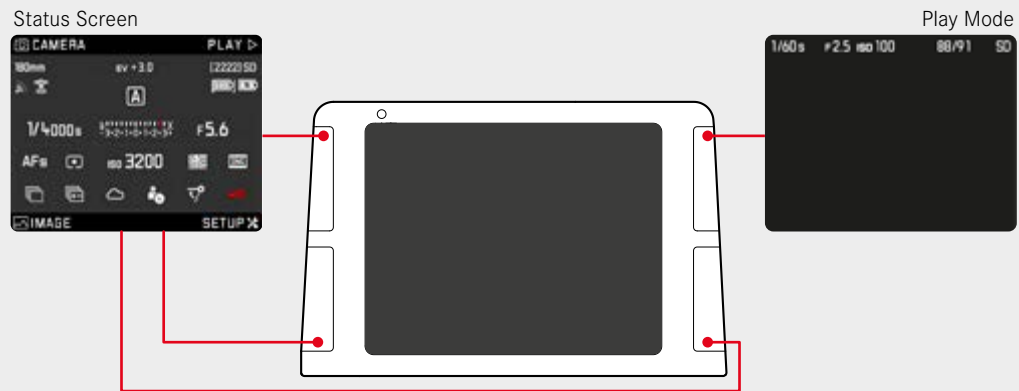
VIDEO STORAGE



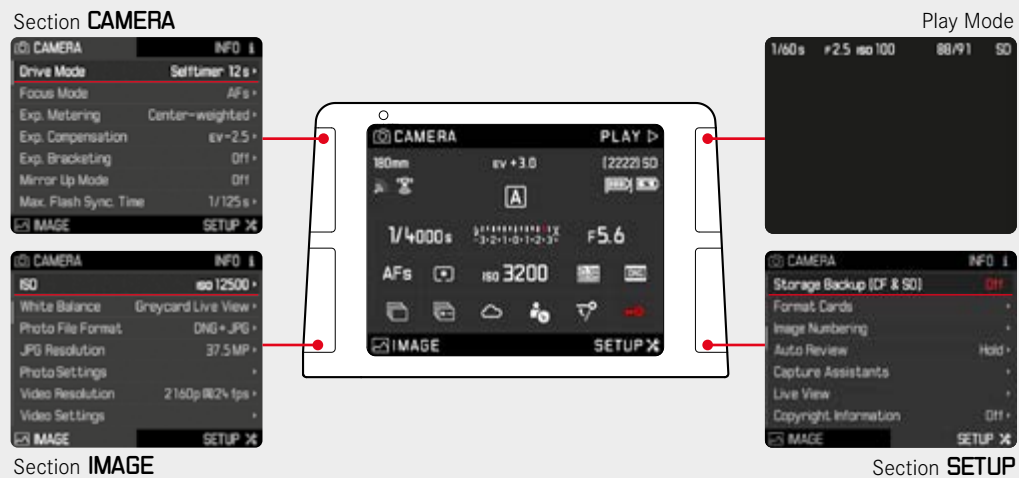
EXTERNAL AUDIO



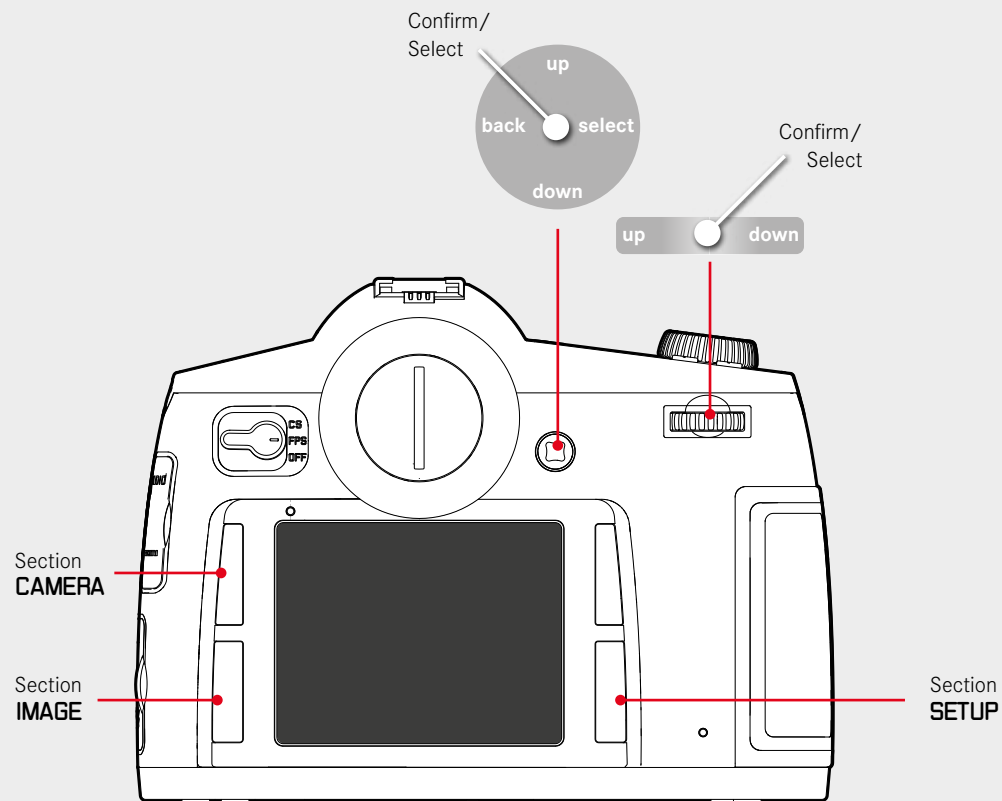
ENTER STATUS SCREEN & PLAY MODE



ENTER MENU & PLAY MODE



MENU

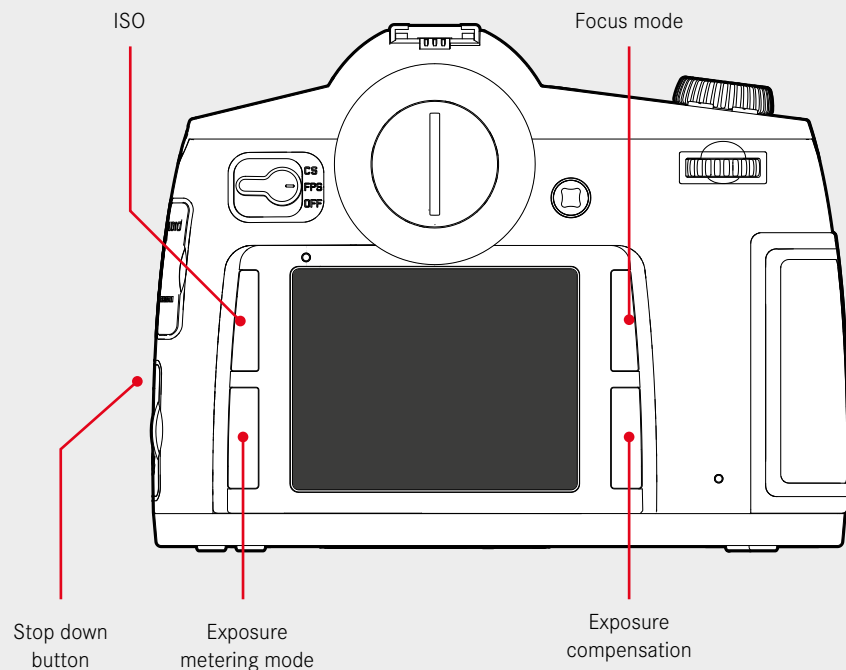


TIP

Press the shutter release button halfway to exit menus and return to Record Mode.

MENU - QUICK ACCESS / CUSTOMIZE CONTROLS

Long push (1 sec.) leads you straight to your favorite submenu.



TIP

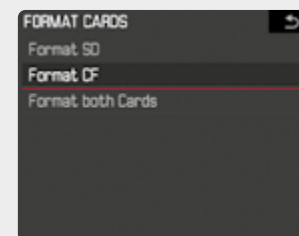
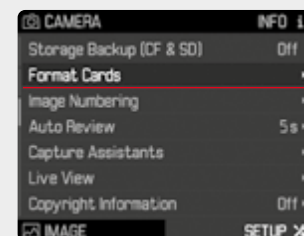
Setup the buttons to your needs in the menu **Setup/Customize Controls**.
In LiveView the Stop Down button is reserved for activate/deactivate **Exposure Simulation!**

BASIC CAMERA SETUP

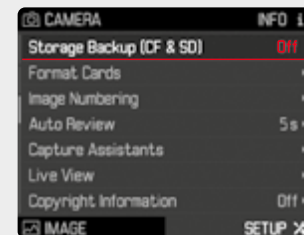
Language



Format Card



Storage Backup



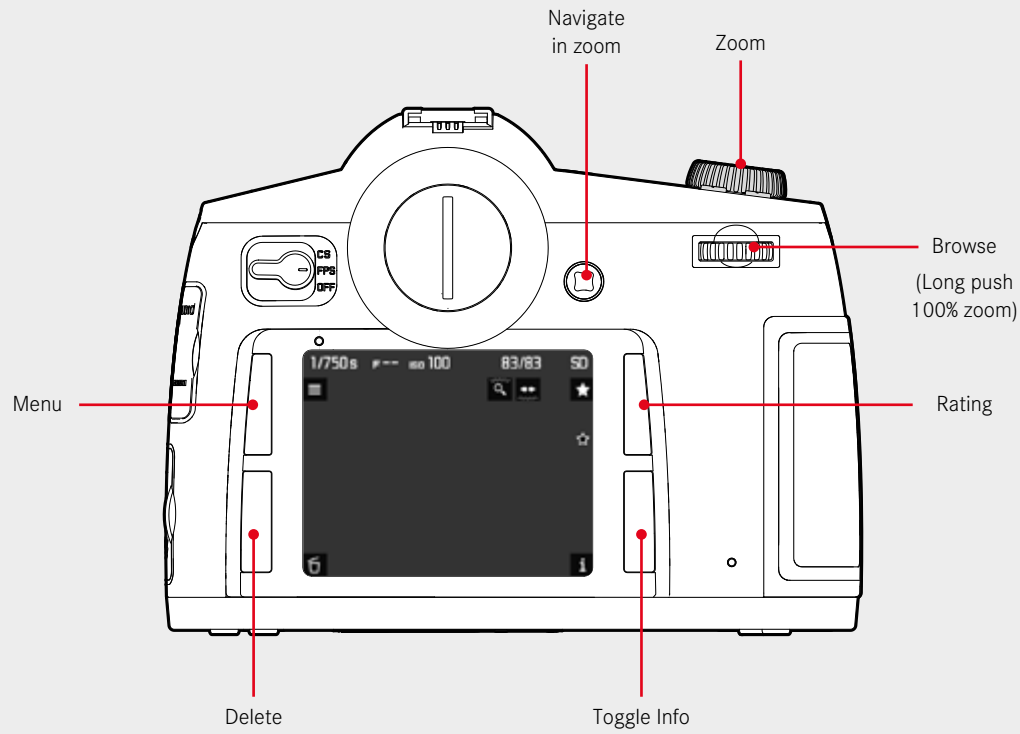
TIP

If Storage Backup is set, the files will be stored simultaneously either on both memory cards (CF&SD) or while shooting tethered on memory card (CF or SD) and on the PC's harddrive.

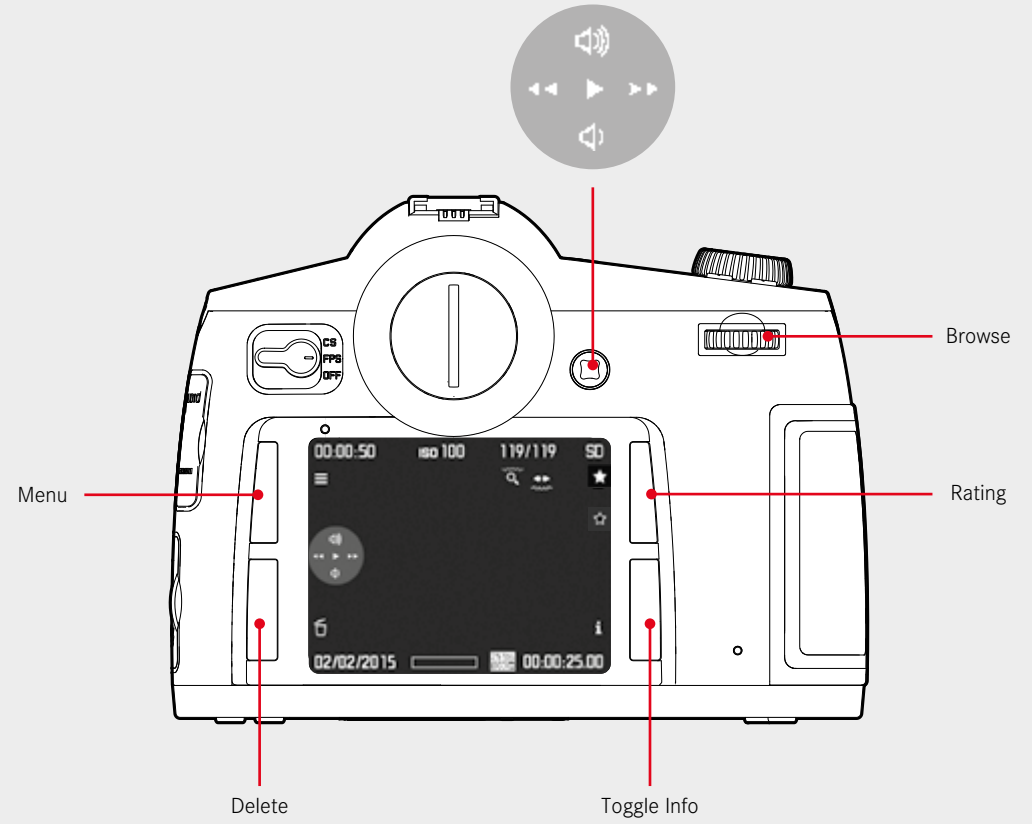
File Format



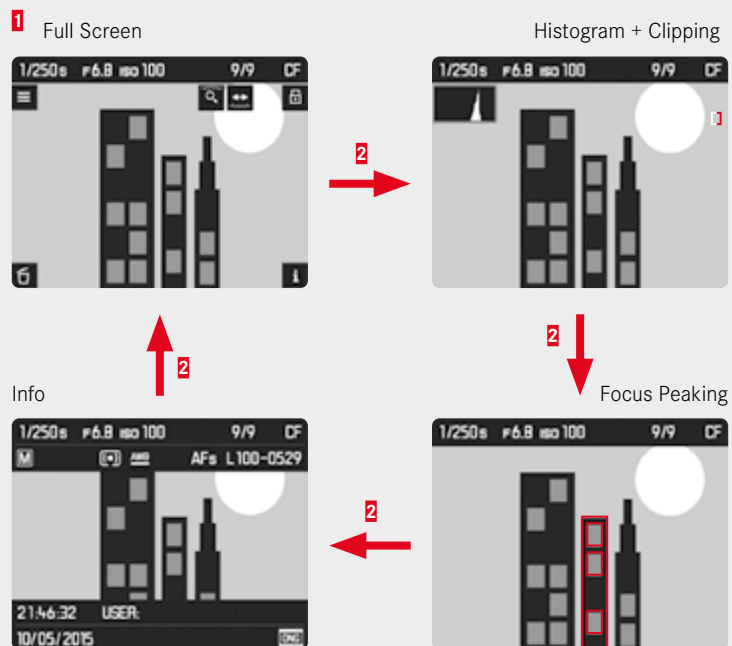
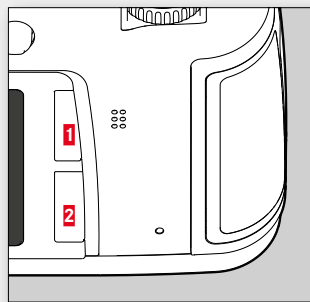
PLAY MODE PHOTO



PLAY MODE VIDEO



PLAY MODE INFO SCREENS

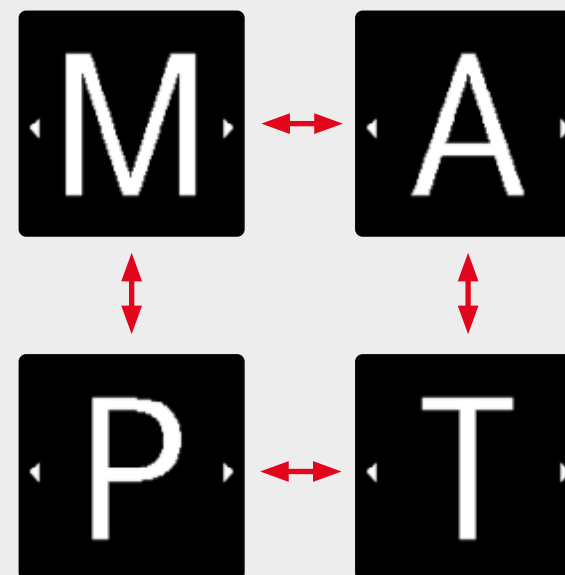
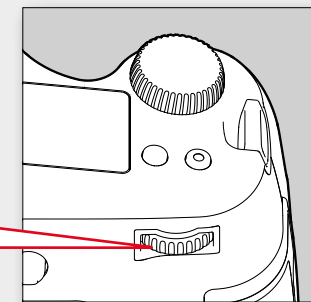


TIP

Camera always shows the latest mode after coming back to Play Mode. Histogram represents the visible area of the image. Customize the clipping settings under menu **Setup/Capture Assistants/Exposure Clipping**.

EXPOSURE CONTROL MODES

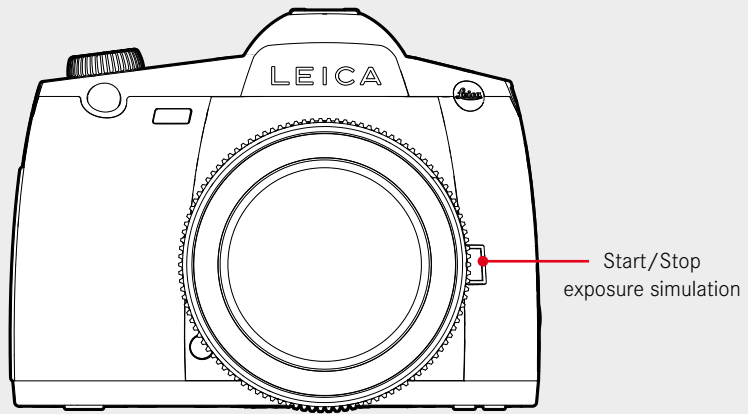
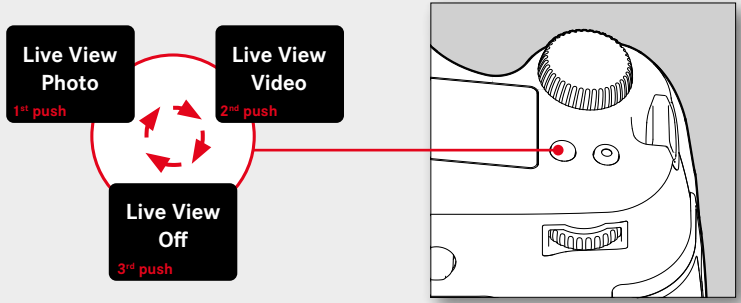
- long push to access setting
- Turn to switch modes



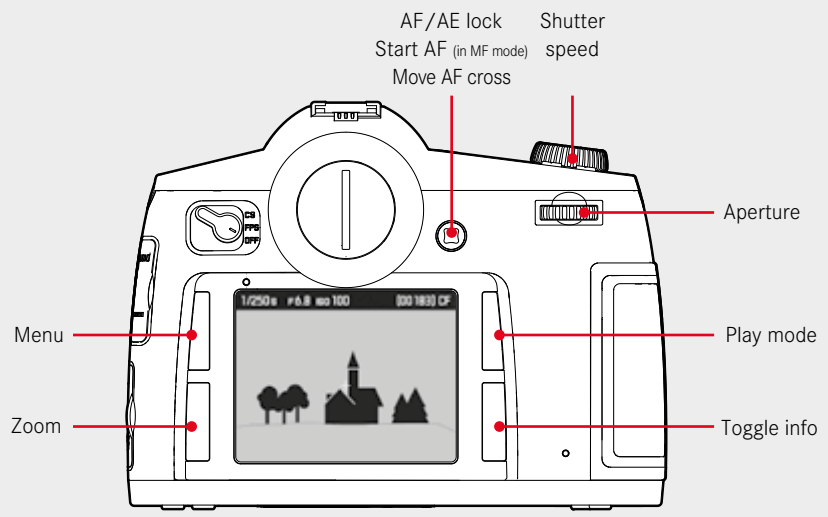
TIP

To exit exposure mode function press one of the soft buttons, the click wheel or shutter button 1st step.

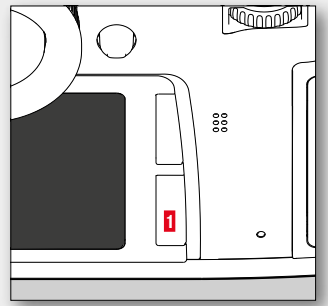
LIVE VIEW PHOTO



Start/Stop exposure simulation



LIVE VIEW PHOTO - SCREENS



Full Screen



Histogram + Clipping



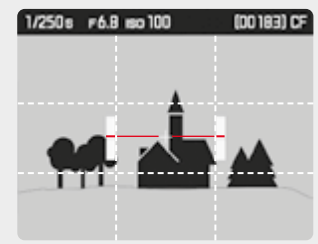
Info



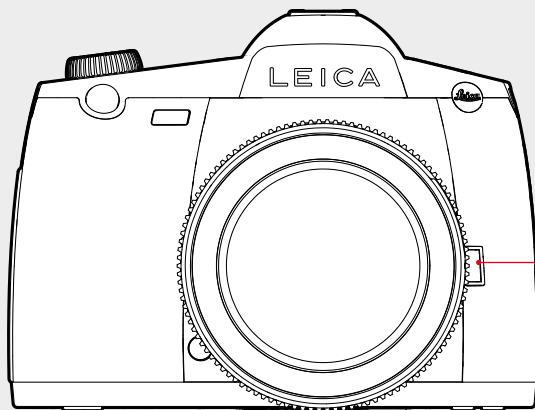
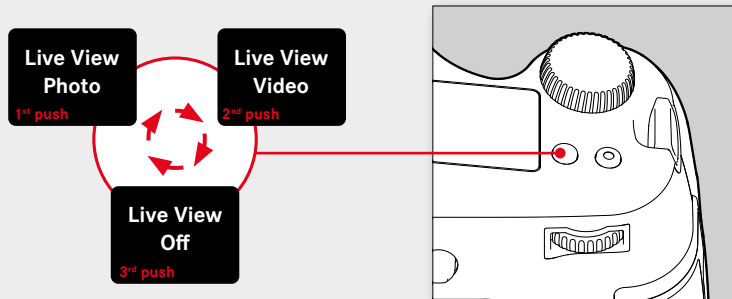
Focus Peaking



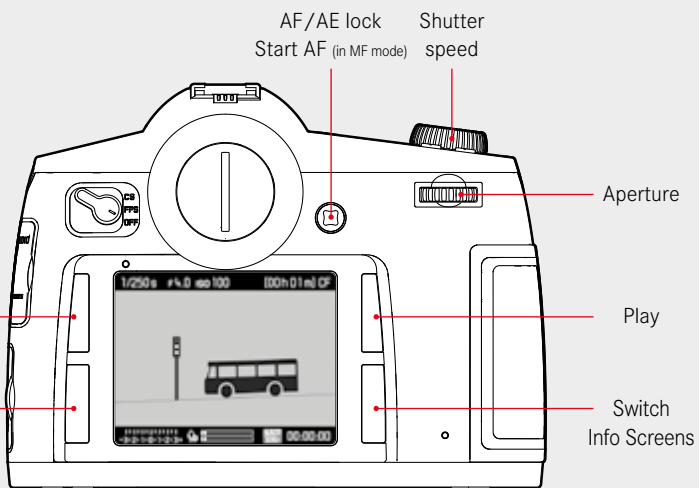
Grid + Horizon



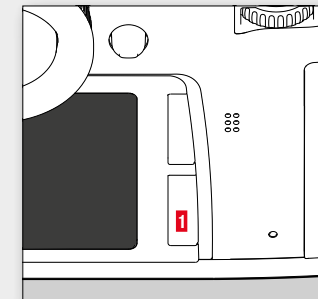
LIVE VIEW VIDEO



- Volume**
Hold + Joystick ◀▶
- Volume**
Hold + Joystick ◀▶



LIVE VIEW VIDEO - SCREENS



Full Screen



Histogram + Clipping



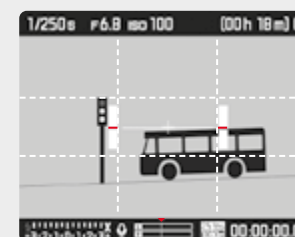
Info



Focus Peaking



Grid + Horizon



LIGHTROOM TETHERED PLUG-IN

Lightroom Tethered Plug-in is a plug-in for Adobe Photoshop Lightroom, which enables the direct tethered shooting with Adobe Photoshop Lightroom and the Leica S via USB cable connection.

FEATURES:

- Transfer images for direct control in Adobe Photoshop Lightroom
- Remote control the shutter release
- Display exposure information in Adobe Photoshop Lightroom

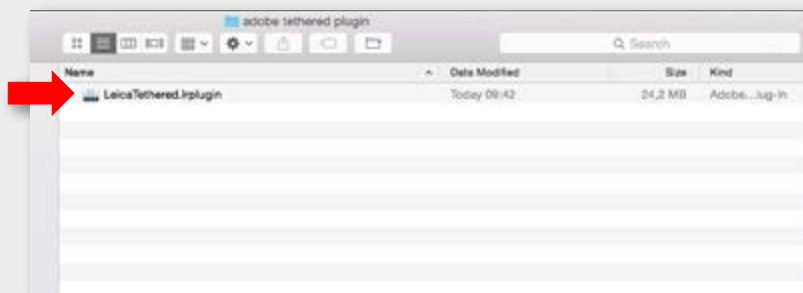
SYSTEM REQUIREMENTS:

- Leica S
- Lemo USB3.0 SuperSpeed cable
- USB3.0 port (recommended for highest speed and stability)
- Adobe Photoshop Lightroom 6.2 or higher respectively CC Classic
- Mac OS X (10.13 or higher)

INSTALLATION

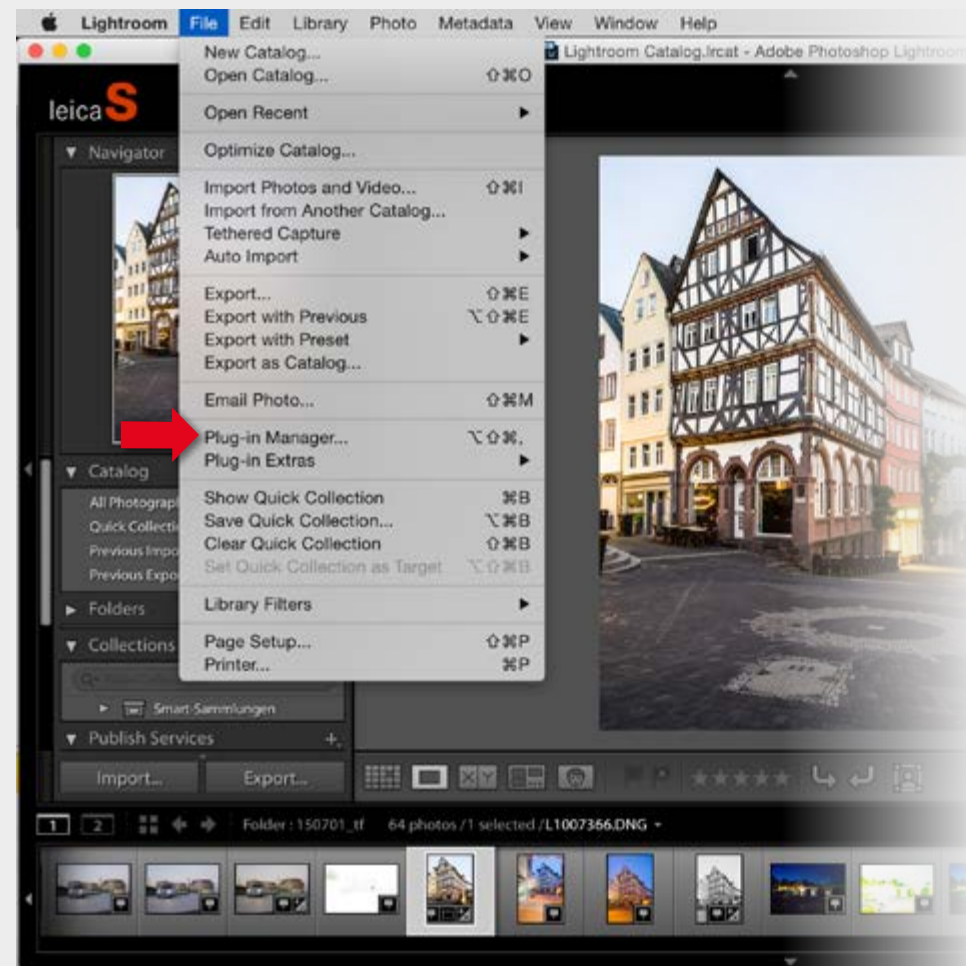
1. STEP: Download the file “LeicaTethered.Irplugin” to your hard disk

2. STEP: Start Adobe Photoshop Lightroom 6 / CC Classic



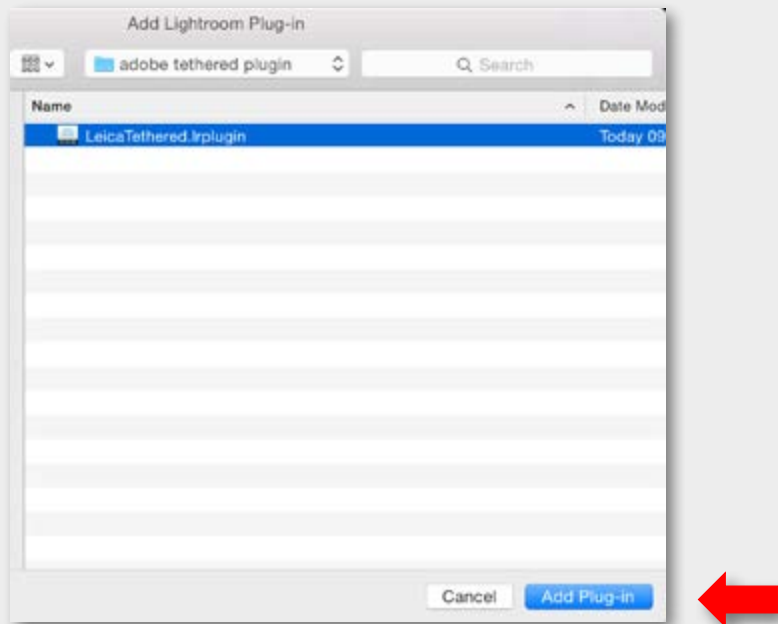
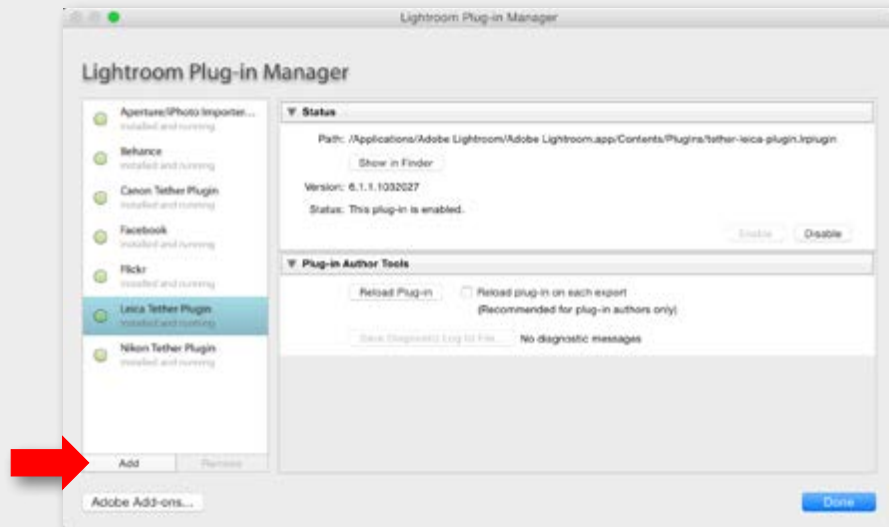
3. STEP

Start: File/Plug-in Manager



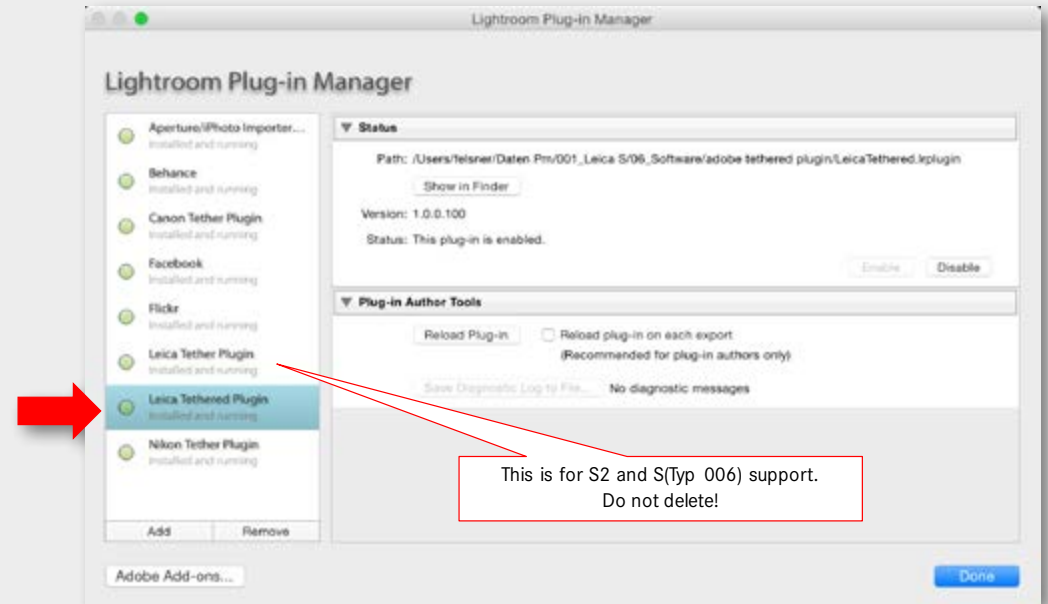
4. STEP

Add Plug-in



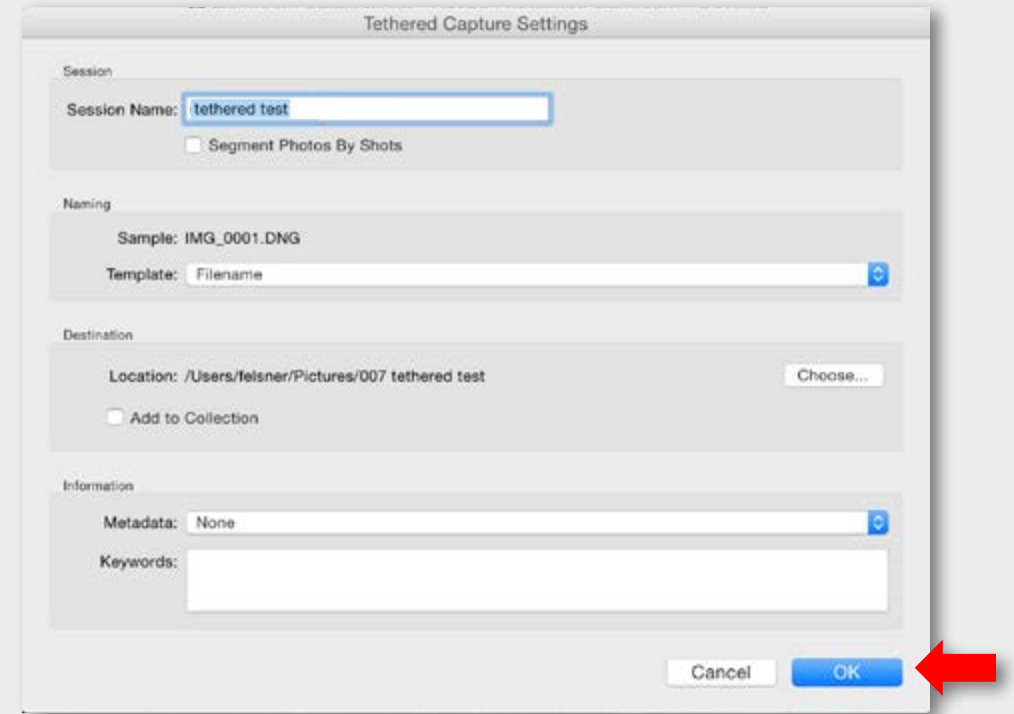
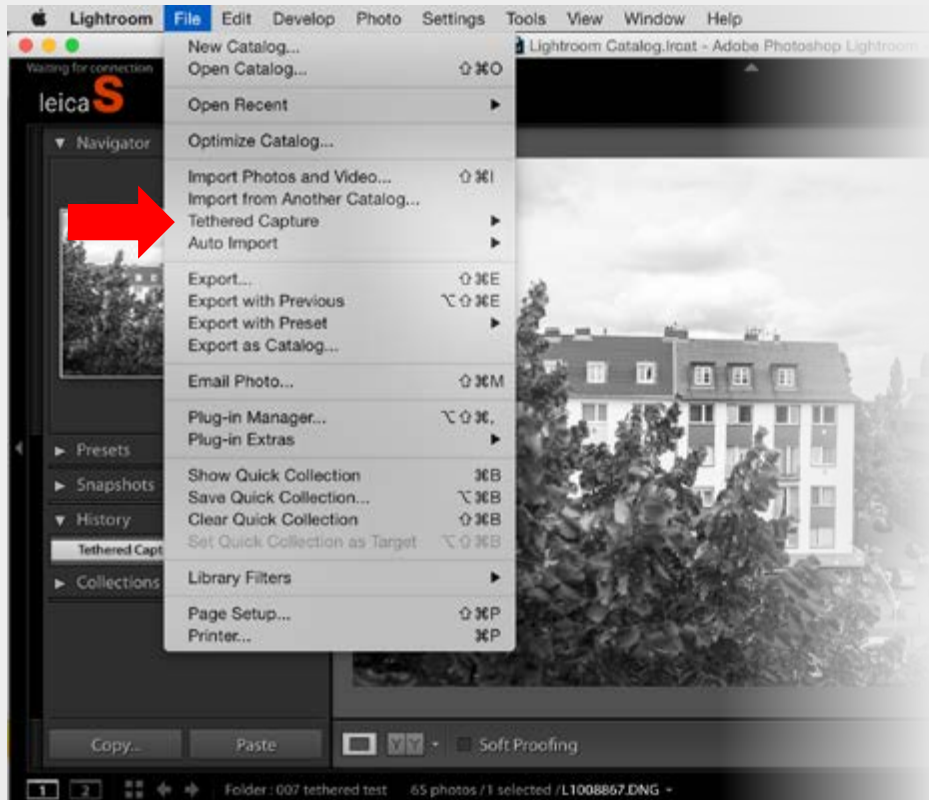
6. STEP

Check, if Leica Tethered Plug-in is listed and enabled



TETHERED SHOOTING - ADOBE™ PHOTOSHOP™ LIGHTROOM™ WORKFLOW

1. Connect the camera with your computer via USB cable.
2. Switch the camera on.
3. Start Adobe Photoshop Lightroom 6 / CC Classic
4. Setup tethered shooting.





TETHERED SHOOTING - LEICA IMAGE SHUTTLE™ WORKFLOW

1. Connect the camera with your computer via USB cable (PTP storage mode).
2. Switch the camera on.
3. Start Leica Image Shuttle™.
4. Setup tethered shooting.



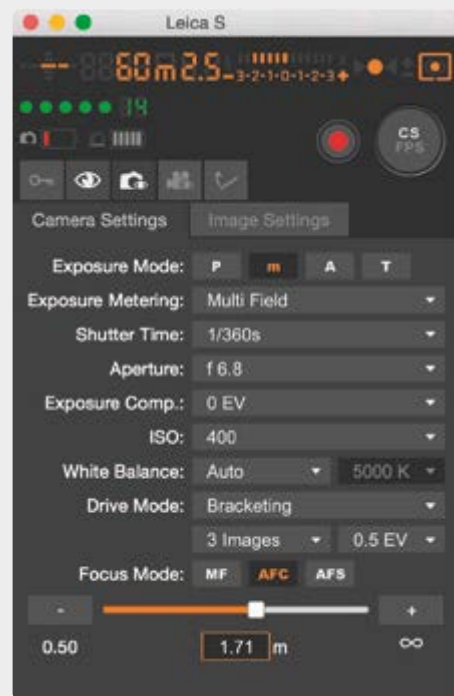
Liveview Photo



Liveview Video



Recording Video



Remote Screen

MENU LIST

CAMERA	Drive Mode	SETUP	Storage Backup (CF & SD)
	Focus Mode		Format Cards
	Exp. Metering		Image Numbering
	Exp. Compensation		Auto Review
	Exp. Bracketing		Capture Assistants
	Mirror Up Mode		Copyright Information
Max. Flash Sync. Time	User Profiles		
IMAGE	ISO		Auto ISO Setup
	White Balance		Flash Sync. Mode
	Photo File Format		Keylock
	JPG Resolution		Customize Controls
	Photo Settings		Display Brightness
	Video Resolution	Acoustic Signals	
Video Setting	Auto Power Saving		
		WLAN	
		GPS	
		Date & Time	
		Language	
		Reset Camera	
		Sensor Cleaning	
		Camera Information	

LEICA FOTOS APP

The new app offers Leica photographers the tools needed to easily stay connected through a single app, providing an exemplary mobile experience. Compatible with any Wi-Fi enabled Leica camera, the new app delivers features that enable photographers to capture unforgettable moments remotely, transfer, edit and share images quickly, easily, and on-the-go.



TIP

You can also use Leica Image Shuttle in combination with Adobe Bridge or with the hotfolder function of Adobe Photoshop Lightroom or any other software supporting hotfolder.



DAS WESENTLICHE.

Leica Camera AG | Am Leitz-Park 5 | 35578 WETZLAR | DEUTSCHLAND

Telefon +49(0)6441-2080-0 | Telefax +49(0)6441-2080-333 | www.leica-camera.com

93845 IX/18/BR