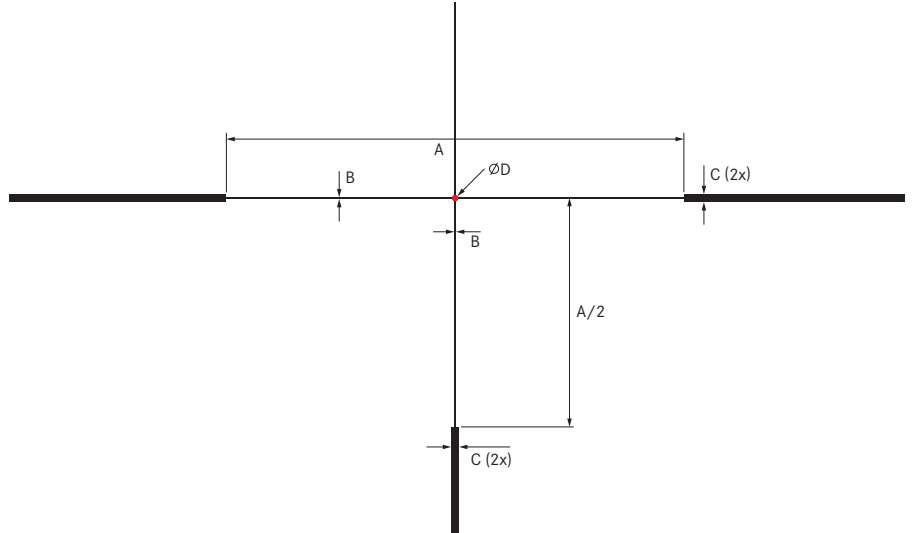
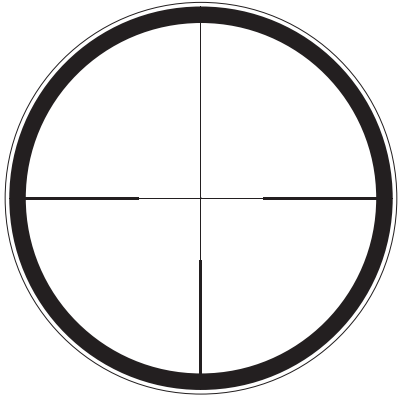




# LEICA **AMPLUS 6** | RETICLE L-4a (Mil)

Reticles and subtensions.



Reticle L-4a (Mil)	Amplus 6	cm / 100 m	Mil	cm / 100 m	MoA	inch / 100 yds
Magnification	1 – 6 x	10 x	maximum	maximum	maximum	10 x
Bar opening	A	141.14	23.92	239.22	82.21	50.81
Bar opening	A/2	70.57	11.96	119.61	41.10	25.41
Line thickness	B	0.84	0.14	1.43	0.49	0.30
Bar thickness	C	4.04	0.68	6.85	2.35	1.45
Illuminated Dot (Diameter)	D	0.63	0.11	1.07	0.37	0.23

Absehen L-4a (Mil)	Amplus 6	cm / 100 m	Mil	cm / 100 m	MoA	inch / 100 yds
Magnification	2.5 – 15 x	10 x	maximum	maximum	maximum	10 x
Bar opening	A	141.98	9.52	95.23	32.72	51.11
Bar opening	A/2	70.99	4.76	47.61	16.36	25.56
Line thickness	B	0.85	0.06	0.57	0.20	0.30
Bar thickness	C	4.06	0.27	2.72	0.94	1.46
Illuminated Dot (Diameter)	D	0.63	0.04	0.43	0.15	0.23

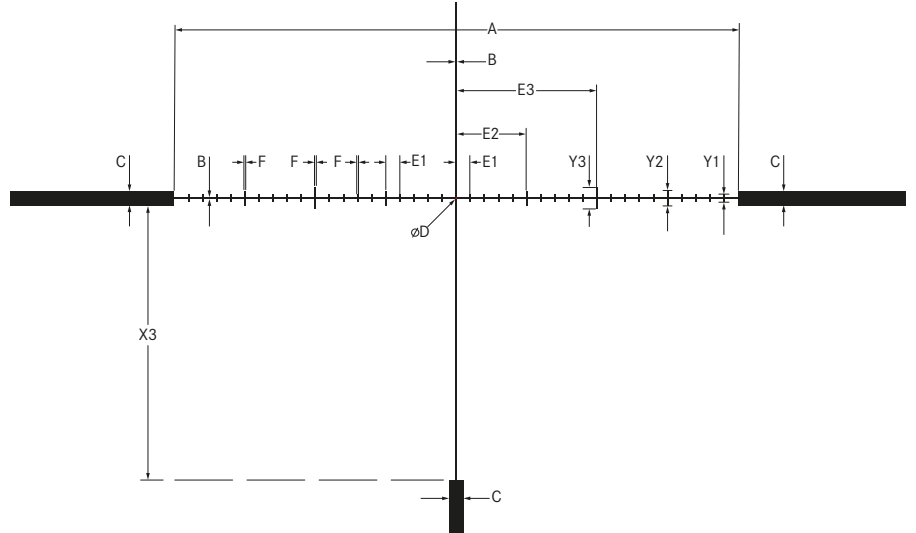
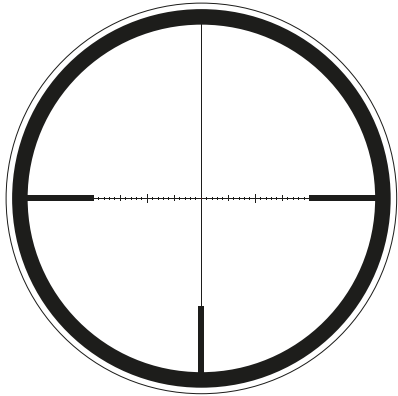
Absehen L-4a (Mil)	Amplus 6	cm / 100 m	Mil	cm / 100 m	MoA	inch / 100 yds
Magnification	3 – 18 x	9 x	maximum	maximum	maximum	9 x
Bar opening	A	140.00	7.00	70.00	24.05	50.40
Bar opening	A/2	70.00	3.50	35.00	12.03	25.20
Line thickness	B	0.50	0.03	0.25	0.09	0.18
Bar thickness	C	2.50	0.13	1.25	0.43	0.90
Illuminated Dot (Diameter)	D	0.50	0.03	0.25	0.09	0.18

Continued on page 2



# LEICA **AMPLUS 6** | RETICLE L-4w (MoA)

Reticles and subtensions.



Reticle L-4w (MoA)	Amplus 6	cm / 100 m	Mil	cm / 100 m	MoA	inch / 100 yds
Magnification	2.5 – 15x	10x	maximum	maximum	maximum	10x
Bar opening	A	174.60	11.64	116.40	40.00	62.86
Line thickness	B	0.52	0.03	0.35	0.12	0.19
Bar thickness	C	4.37	0.29	2.91	1.00	1.57
Illuminated Dot (Diameter)	D	0.52	0.03	0.35	0.12	0.19
Line opening	E1	4.37	0.29	2.91	1.00	1.57
Line opening	E2	21.83	1.46	14.55	5.00	7.86
Line opening	E3	43.65	2.91	29.10	10.00	15.71
Line thickness	F	0.52	0.03	0.35	0.12	0.19
Line height	Y1	2.18	0.15	1.46	0.50	0.79
Line height	Y2	4.37	0.29	2.91	1.00	1.57
Line height	Y3	6.55	0.44	4.37	1.50	2.36
Line opening	X3	87.30	5.82	58.20	20.00	31.43

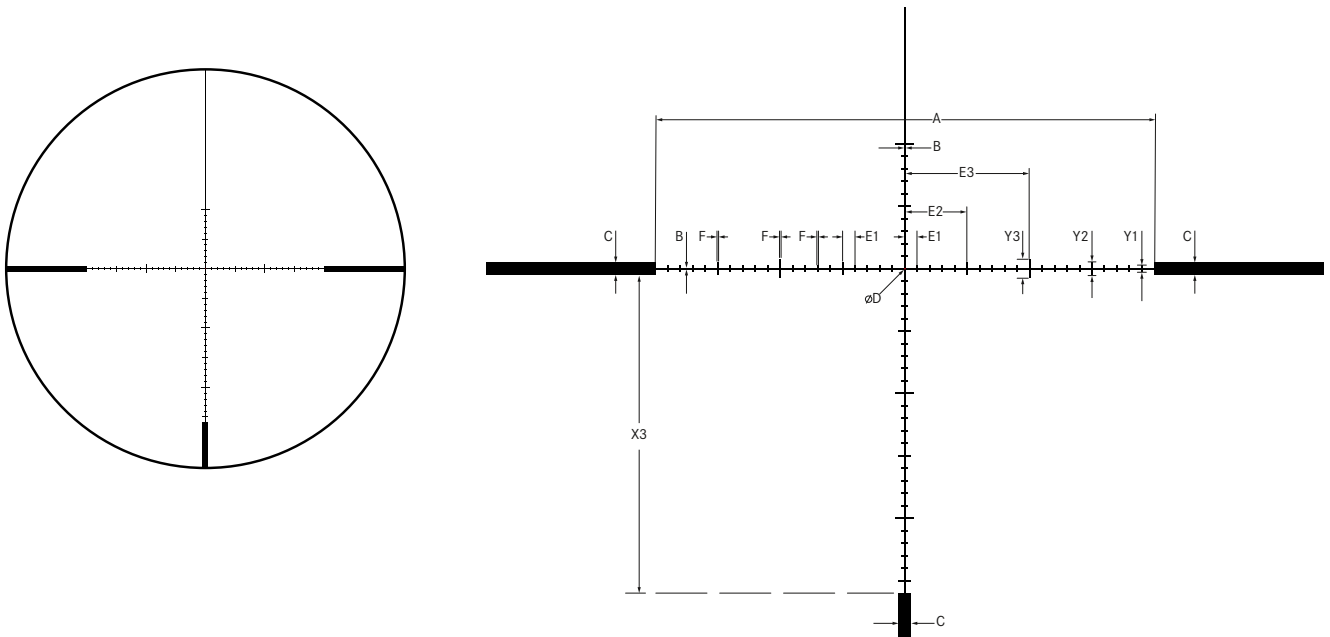
Reticle L-4w (MoA)	Amplus 6	cm / 100 m	Mil	cm / 100 m	MoA	inch / 100 yds
Magnification	3 – 18x	9x	maximum	maximum	maximum	9x
Bar opening	A	232.80	11.64	116.40	40.00	83.81
Line thickness	B	0.70	0.03	0.35	0.12	0.25
Bar thickness	C	5.82	0.29	2.91	1.00	2.10
Illuminated Dot (Diameter)	D	0.70	0.03	0.35	0.12	0.25
Line opening	E1	5.82	0.29	2.91	1.00	2.10
Line opening	E2	29.10	1.46	14.55	5.00	10.48
Line opening	E3	58.20	2.91	29.10	10.00	20.95
Line thickness	F	0.70	0.03	0.35	0.12	0.25
Line height	Y1	2.91	0.15	1.46	0.50	1.05
Line height	Y2	5.82	0.29	2.91	1.00	2.10
Line height	Y3	8.73	0.44	4.37	1.50	3.14
Line opening	X3	116.40	5.82	58.20	20.00	41.90

Continued on page 3



# LEICA **AMPLUS 6** | RETICLE L-BALLISTIC 2 (MoA)

Reticles and subtensions.



Reticle L-Ballistic 2 (MoA)	Amplus 6	cm / 100 m	Mil	cm / 100 m	MoA	inch / 100 yds
Magnification	2.5–15 x	10 x	maximum	maximum	maximum	10 x
Bar opening	A	174.60	11.64	116.40	40.00	62.86
Line thickness	B	0.52	0.03	0.35	0.12	0.19
Bar thickness	C	4.37	0.29	2.91	1.00	1.57
Illuminated Dot (Diameter)	D	0.52	0.03	0.35	0.12	0.19
Line opening	E1	4.37	0.29	2.91	1.00	1.57
Line opening	E2	21.83	1.46	14.55	5.00	7.86
Line opening	E3	43.65	2.91	29.10	10.00	15.71
Line thickness	F	0.52	0.03	0.35	0.12	0.19
Line height	Y1	2.18	0.15	1.46	0.50	0.79
Line height	Y2	4.37	0.29	2.91	1.00	1.57
Line height	Y3	6.55	0.44	4.37	1.50	2.36
Line opening	X3	113.49	7.57	75.66	26.00	40.86

Reticle L-Ballistic 2 (MoA)	Amplus 6	cm / 100 m	Mil	cm / 100 m	MoA	inch / 100 yds
Magnification	3–18 x	9 x	maximum	maximum	maximum	9 x
Bar opening	A	232.80	11.64	116.40	40.00	83.81
Line thickness	B	0.70	0.03	0.35	0.12	0.25
Bar thickness	C	5.82	0.29	2.91	1.00	2.10
Illuminated Dot (Diameter)	D	0.70	0.03	0.35	0.12	0.25
Line opening	E1	5.82	0.29	2.91	1.00	2.10
Line opening	E2	29.10	1.46	14.55	5.00	10.48
Line opening	E3	58.20	2.91	29.10	10.00	20.95
Line thickness	F	0.70	0.03	0.35	0.12	0.25
Line height	Y1	2.91	0.15	1.46	0.50	1.05
Line height	Y2	5.82	0.29	2.91	1.00	2.10
Line height	Y3	8.73	0.44	4.37	1.50	3.14
Line opening	X3	151.32	7.57	75.66	26.00	54.48