



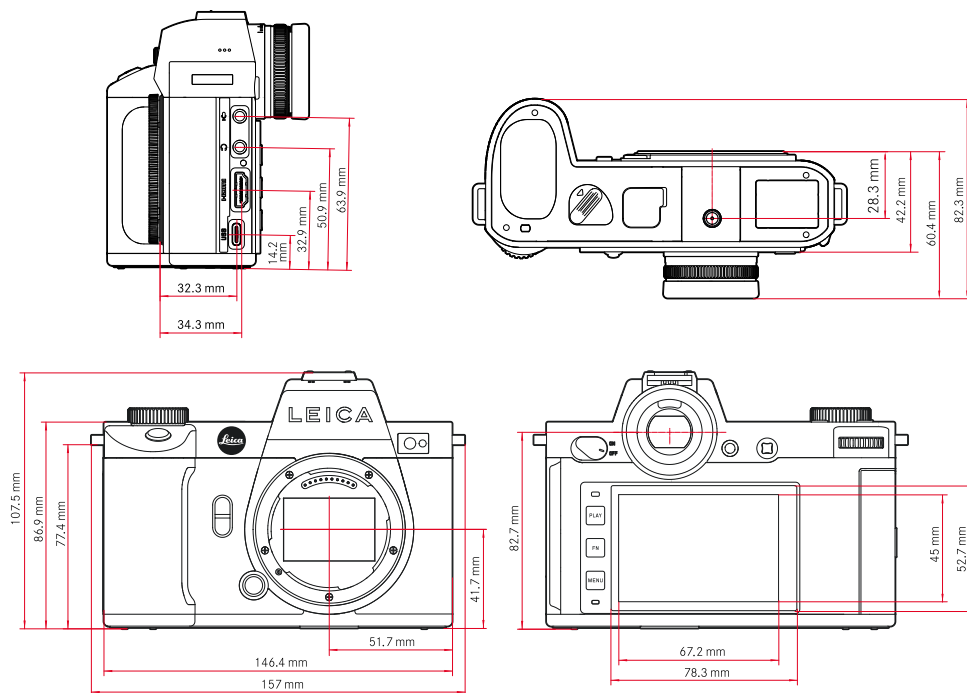
# LEICA SL2

## Technical Data.



Designation	Leica SL2
Camera type	Mirrorless full-frame system camera
Type no.	2998
Order No.	10 854 (EU/JP/US), 10 856 (ROW)
Buffer memory	4 GB DNG™: 78 recordings JPG: > 100 recordings
Storage medium	UHS-II (recommended), UHS-I, SD/SDHC/SDXC memory card
Material	Full-metal housing made of aluminum and magnesium, leatherette cover, splash-water protected in compliance with IEC standard 60529 (protection type IP54)
Lens mount	Leica L bayonet with contact strip for communication between lens and camera
Operating conditions	-10 to +40°C
Interfaces	ISO accessory shoe with additional control contacts, HDMI jack 2.0b Type A, USB 3.1 Gen1 Type C, Audio-Out 3.5 mm/Audio-In 3.5 mm, communication interface in the base cover for multifunction hand grip
Tripod thread	A 1/4 DIN 4503 (1/4") with stainless steel in the base

### Dimensions



Weight	approx. 840 g (without battery), approx. 920 g (with battery)
--------	---



# LEICA SL2

## Sensor

Sensor size	CMOS-Sensor, pixelpitch: 4.3 µm, 35 mm: 8368 x 5584 pixels (47.3 MP), APS-C: 5504 x 3664 pixels (20.2 MP)
Image stabilization	5-Axis image stabilization up to 5.5 aperture levels
Filter	RGB color filter, UV/IR filter, no low-pass filter
Processor	Leica Maestro series (Maestro III)
File formats	Photo: DNG™ (raw data), DNG + JPG, JPG (DCF, Exif 2.31) Video: MP4: H.265/MPEG-4 AVC (Audio format: 2ch 48 kHz/16 bit, AAC), MOV: H.264/MPEG-4 AVC (Audio format: 2ch 48 kHz/16 bit, AC-3)
Image resolution	DNG™: 8368 x 5584 pixels (46.7 MP), JPG: 8368 x 5584 pixels (46.7 MP), 6000 x 4000 pixels (24 MP), 4272 x 2848 pixels (12 MP) APS-C: DNG: 5504 x 3664 pixels (20.2 MP), JPG: 5504 x 3664 pixels (20.2 MP), 3936 x 2624 pixels (10.3 MP), 2736 x 1824 pixels (5 MP)
Color depth	DNG™: 14 bit, JPG: 8 bit
Color space	Photo: sRGB Video: Rec. 709/Rec. 2020 (HLG/L-Log)
File size	Photo: DNG™: 84.4 MB, JPG: depending on resolution and image content Video: max. length: unlimited, max. file size: 96 GB
Video recording mode	Video mode: P - A - S - M Cine mode: M
Video Resolution	35 mm - 5K (4:3) 4992 x 3744 pixels 35 mm - C4K (17:9) 4096 x 2160 pixels (sensor range: 8192 x 4320 pixels) 35 mm - 4K (16:9) 3840 x 2160 pixels (sensor range: 7680 x 4320 pixels) 35 mm - Full HD(16:9) 2790 x 1572 pixels (sensor range: 8368 x 4712 pixels) APS-C - C4K (17:9) 5504 x 2912 pixels APS-C - 4K (16:9) 5504 x 3096 pixels APS-C - Full HD (16:9) 2752 x 1548 pixels (sensor range: 2752 x 1548 pixels)
Video frame rate	MOV 5K: 29.97 fps, 4:2:0 / 10 bit (SD & HDMI), 35 mm, H.265, Long GOP, 200 Mbps MOV 5K: 25 fps, 4:2:0 / 10 bit (SD & HDMI), 35 mm, H.265, Long GOP, 200 Mbps MOV 5K: 23.98 fps, 4:2:0 / 10 bit (SD & HDMI), 35 mm, H.265, Long GOP, 200 Mbps MOV C4K: 59.94 fps, 4:2:0 / 10 bit (SD), 4:2:2 / 10 bit (HDMI), 35 mm & APS-C, H.265, Long GOP, 200 Mbps MOV C4K: 59.94 fps, 4:2:0 / 8 bit (SD), 4:2:2 / 10 bit (HDMI), 35 mm & APS-C, H.264, Long GOP, 150 Mbps MOV C4K: 50 fps, 4:2:0 / 10 bit (SD), 4:2:2 / 10 bit (HDMI), 35 mm & APS-C, H.265, Long GOP, 200 Mbps MOV C4K: 50 fps, 4:2:0 / 8 bit (SD), 4:2:2 / 10 bit (HDMI), 35 mm & APS-C, H.264, Long GOP, 150 Mbps MOV C4K: 48 fps, 4:2:0 / 10 bit (SD), 24 fps, 4:2:2 / 10 bit (HDMI), 35 mm & APS-C, H.265, Long GOP, 200 Mbps MOV C4K: 47.95 fps, 4:2:0 / 10 bit (SD), 23.98 fps, 4:2:2 / 10 bit (HDMI), 35 mm & APS-C, H.265, Long GOP, 200 Mbps MOV C4K: 29.97 fps, 4:2:2 / 10 bit (SD & HDMI), 35 mm & APS-C, H.264, ALL-I, 400 Mbps MOV C4K: 29.97 fps, 4:2:2 / 10 bit (SD & HDMI), 35 mm & APS-C, H.264, Long GOP, 150 Mbps MOV C4K: 25 fps, 4:2:2 / 10 bit (SD & HDMI), 35 mm & APS-C, H.264, ALL-I, 400 Mbps MOV C4K: 25 fps, 4:2:2 / 10 bit (SD & HDMI), 35 mm & APS-C, H.264, Long GOP, 150 Mbps MOV C4K: 24 fps, 4:2:2 / 10 bit (SD & HDMI), 35 mm & APS-C, H.264, ALL-I, 400 Mbps MOV C4K: 24 fps, 4:2:2 / 10 bit (SD & HDMI), 35 mm & APS-C, H.264, Long GOP, 150 Mbps MOV C4K: 23.98 fps, 4:2:2 / 10 bit (SD & HDMI), 35 mm & APS-C, H.264, Long GOP, 150 Mbps MOV 4K: 59.94 fps, 4:2:0 / 10 bit (SD), 4:2:2 / 10 bit (HDMI), 35 mm & APS-C, H.265, Long GOP, 200 Mbps MOV 4K: 59.94 fps, 4:2:0 / 8 bit (SD), 4:2:2 / 10 bit (HDMI), 35 mm & APS-C, H.264, Long GOP, 150 Mbps MOV 4K: 50 fps, 4:2:0 / 10 bit (SD), 4:2:2 / 10 bit (HDMI), 35 mm & APS-C, H.265, Long GOP, 200 Mbps MOV 4K: 50 fps, 4:2:0 / 8 bit (SD), 4:2:2 / 10 bit (HDMI), 35 mm & APS-C, H.264, Long GOP, 150 Mbps MOV 4K: 48 fps, 4:2:0 / 10 bit (SD), 24 fps, 4:2:2 / 10 bit (HDMI), 35 mm & APS-C, H.265, Long GOP, 200 Mbps MOV 4K: 47.95 fps, 4:2:0 / 10 bit (SD), 23.98 fps, 4:2:2 / 10 bit (HDMI), 35 mm & APS-C, H.265, Long GOP, 200 Mbps MOV 4K: 29.97 fps, 4:2:2 / 10 bit (SD & HDMI), 35 mm & APS-C, H.264, ALL-I, 400 Mbps MOV 4K: 29.97 fps, 4:2:2 / 10 bit (SD & HDMI), 35 mm & APS-C, H.264, Long GOP, 150 Mbps MOV 4K: 25 fps, 4:2:2 / 10 bit (SD & HDMI), 35 mm & APS-C, H.264, ALL-I, 400 Mbps MOV 4K: 25 fps, 4:2:2 / 10 bit (SD & HDMI), 35 mm & APS-C, H.264, Long GOP, 150 Mbps MOV 4K: 24 fps, 4:2:2 / 10 bit (SD & HDMI), 35 mm & APS-C, H.264, Long GOP, 150 Mbps MOV 4K: 23.98 fps, 4:2:2 / 10 bit (SD & HDMI), 35 mm & APS-C, H.264, ALL-I, 400 Mbps MOV 4K: 23.98 fps, 4:2:2 / 10 bit (SD & HDMI), 35 mm & APS-C, H.264, Long GOP, 150 Mbps MOV FHD: 119.88 fps, 4:2:0 / 10 bit (SD), 4:2:2 / 10 bit (HDMI), 35 mm & APS-C, H.265, Long GOP, 150 Mbps MOV FHD: 100 fps, 4:2:0 / 10 bit (SD), 4:2:2 / 10 bit (HDMI), 35 mm & APS-C, H.265, Long GOP, 150 Mbps MOV FHD: 59.94 fps, 4:2:2 / 10 bit (SD & HDMI), 35 mm & APS-C, H.264, ALL-I, 200 Mbps MOV FHD: 50 fps, 4:2:2 / 10 bit (SD & HDMI), 35 mm & APS-C, H.264, ALL-I, 200 Mbps MOV FHD: 29.97 fps, 4:2:2 / 10 bit (SD & HDMI), 35 mm & APS-C, H.264, ALL-I, 200 Mbps MOV FHD: 25 fps, 4:2:2 / 10 bit (SD & HDMI), 35 mm & APS-C, H.264, ALL-I, 200 Mbps MOV FHD: 23.98 fps, 4:2:2 / 10 bit (SD & HDMI), 35 mm & APS-C, H.264, ALL-I, 200 Mbps



# LEICA SL2

MOV FHD Slow Motion: 180 fps, 4:2:0 / 8 bit (SD & HDMI), APS-C, H.264, Long GOP, 20 Mbps  
 MOV FHD Slow Motion: 150 fps, 4:2:0 / 8 bit (SD & HDMI), APS-C, H.264, Long GOP, 20 Mbps  
 MOV FHD Slow Motion: 120 fps, 4:2:0 / 8 bit (SD & HDMI), 35 mm & APS-C, H.264, Long GOP, 20 Mbps  
 MOV FHD Slow Motion: 100 fps, 4:2:0 / 8 bit (SD & HDMI), 35 mm & APS-C, H.264, Long GOP, 20 Mbps  
 MP4 4K: 59.94 fps, 4:2:0 / 8 bit (SD & HDMI), 35 mm & APS-C, H.264, Long GOP, 150 Mbps  
 MP4 4K: 59.94 fps, 4:2:0 / 10 bit (SD & HDMI), 35 mm & APS-C, H.265, Long GOP, 100 Mbps  
 MP4 4K: 50 fps, 4:2:0 / 8 bit (SD & HDMI), 35 mm & APS-C, H.264, Long GOP, 150 Mbps  
 MP4 4K: 50 fps, 4:2:0 / 10 bit (SD & HDMI), 35 mm & APS-C, H.265, Long GOP, 100 Mbps  
 MP4 4K: 29.97 fps, 4:2:0 / 8 bit (SD & HDMI), 35 mm & APS-C, H.264, Long GOP, 100 Mbps  
 MP4 4K: 25 fps, 4:2:0 / 8 bit (SD & HDMI), 35 mm & APS-C, H.264, Long GOP, 100 Mbps  
 MP4 4K: 23.98 fps, 4:2:0 / 8 bit (SD & HDMI), 35 mm & APS-C, H.264, Long GOP, 100 Mbps  
 MP4 FHD: 59.94 fps, 4:2:0 / 8 bit (SD & HDMI), 35 mm & APS-C, H.264, Long GOP, 28 Mbps  
 MP4 FHD: 50 fps, 4:2:0 / 8 bit (SD & HDMI), 35 mm & APS-C, H.264, Long GOP, 28 Mbps  
 MP4 FHD: 29.97 fps, 4:2:0 / 8 bit (SD & HDMI), 35 mm & APS-C, H.264, Long GOP, 20 Mbps  
 MP4 FHD: 25 fps, 4:2:0 / 8 bit (SD & HDMI), 35 mm & APS-C, H.264, Long GOP, 20 Mbps  
 MP4 FHD: 23.98 fps, 4:2:0 / 8 bit (SD & HDMI), 35 mm & APS-C, H.264, Long GOP, 24 Mbps  
 MP4 FHD Slow Motion: 180 fps, 4:2:0 / 8 bit (SD & HDMI), APS-C, H.264, Long GOP, 20 Mbps  
 MP4 FHD Slow Motion: 150 fps, 4:2:0 / 8 bit (SD & HDMI), APS-C, H.264, Long GOP, 20 Mbps  
 MP4 FHD Slow Motion: 120 fps, 4:2:0 / 8 bit (SD & HDMI), 35 mm & APS-C, H.264, Long GOP, 20 Mbps  
 MP4 FHD Slow Motion: 100 fps, 4:2:0 / 8 bit (SD & HDMI), 35 mm & APS-C, H.264, Long GOP, 20 Mbps

Bit rate	8 bit/10 bit for recordings on SD card, 10 bit for HDMI output
Video Gamma	Rec. 709, L-Log Rec. 2020, HLG Rec. 2020

## Viewfinder/LCD panel

Viewfinder (EVF)	Resolution: 5,760,000 dots, 120 fps, magnification: 0.78x, aspect ratio: 4:3, frame coverage: 100%, exit pupil position: 21 mm, setting range +2/-4 dpt, with eye sensor for automatic switchover between viewfinder and LCD panel, time delay 0.005 s
LCD panel	3.2" (backlight LED) with anti-fingerprint and anti-scratch coating, 2,100,000 dots, format 3:2, touch control available
Top display	1.28" highly reflective trans-reflective monochrome LCD, 128 x 128 pixels, viewing angle 120°; anti-fingerprint coating

## Shutter

Shutter type	Electronically controlled focal plane shutter/electronic shutter
Shutter speeds	Mech. shutter: Bulb, 30 min to 1/8000 s, electr. shutter function: 60 s to 1/40000 s, flash Synchronization: up to 1/250 s
Shutter button	Two-stage (1st stage: Activation of the camera electronics including autofocus and exposure metering, 2nd stage: Taking the picture)
Self-timer	Delay time: 2 s or 12 s
Drive Mode	<a href="#">Single</a> <a href="#">Continuous - Low Speed</a> (3 fps) <a href="#">Continuous - Medium Speed</a> (6 fps) <a href="#">Continuous - High Speed</a> (10 fps without AFc/AE/WB) <a href="#">Continuous - Very High Speed</a> (24 fps with electr. shutter function without AFc/AE/WB) <a href="#">Interval Shooting</a> <a href="#">Exposure Bracketing</a> <a href="#">Multi-Shot</a>

Multishot	Generates 2 DNGs: 1x 47 MP, 1x 187 MP (8 pictures are combined into one high-res image)
-----------	---

## Focusing

Focus mode	Automatic or manual With manual setting: optional magnifying glass function ( <a href="#">Auto Magnification</a> ) and edge marking ( <a href="#">Focus Peaking</a> ) available as focus aids
Autofocus system	Based on contrast metering and depth mapping
Autofocus modes	<a href="#">Intelligent AF</a> (autonomously selects <a href="#">AFs</a> and <a href="#">AFc</a> ), <a href="#">AFs</a> , <a href="#">AFc</a> , AF setting can be saved, optional <a href="#">Touch AF</a>
Autofocus metering methods	<a href="#">Spot</a> (can be shifted), <a href="#">Field</a> (can be shifted and scaled), <a href="#">Multi-Field</a> , <a href="#">Zone</a> (can be shifted), <a href="#">Face/Body Detection</a> , <a href="#">Tracking</a> Video mode only: <a href="#">Follow Focus</a>
Autofocus metering fields	225



# LEICA SL2

## Exposure

Exposure metering	TTL (exposure metering through the lens)
Exposure metering methods	Spot, Center-Weighted, Highlight-Weighted, Multi-Field
Exposure modes	Automatic program (P), Aperture priority (A): manual aperture setting, Shutter priority mode (S): manual shutter speed setting, Manual (M): manual setting for shutter speed and aperture
Exposure compensation	±3 EV in 1/3 EV increments or 1/2 EV increments
Automatic bracketing	3 or 5 exposures, graduations between exposures up to 3 EV, in 1/3 EV increments or 1/2 EV increments additional optional exposure compensation: up to ±3 EV
ISO sensitivity range	Auto ISO: ISO 100 to ISO 50,000 Manual: ISO 50 to ISO 50,000
White balance	Automatic (Auto), Default (Daylight - 5200 K, Cloudy - 6000 K, Shadow - 7000 K, Tungsten - 3200 K, HM - 5600 K, Fluorescent (warm) - 4000 K, Fluorescent (cool) - 4500 K, Flash - 5400 K), manual metering (Graycard, Graycard Live View), manual color temperature setting (Color Temperature, 2000 K to 11,500 K)

## Flash

Flash unit connector	Via the accessory shoe
Flash sync time	↔: 1/250 s, slower shutter speeds available, automatic changeover to TTL linear flash mode with HSS-compatible Leica flash units if sync time is undercut
Flash exposure metering	Using center-weighted TTL pre-flash metering with Leica flash units (SF 26, SF 40, SF 58, SF 60, SF 64) or with system-compatible flash units, remote controlled flash SF C1
Flash exposure compensation	SF 40: ±2 EV in 1/2 EV increments SF 60: ±2 EV in 1/3 EV increments

## Equipment

Microphone	Stereo internal + microphone input 3.5 mm stereo jack
Speaker	Mono internal + headphones output 3.5 mm stereo jack
WLAN	WLAN function for connecting to the Leica FOTOS app. The Leica app is available from the Apple App Store™ or the Google Play Store™. Complies with Wi-Fi IEEE802.11b/g/n, 2.4 GHz, channel 1-11 (2412-2462 MHz) and Wi-Fi IEEE802.11ac, 2.4 GHz & 5 GHz, channel 39-48 (5180-5240 MHz), channel 52-64 (5260-5320 MHz), channel 100-140 (5500-5700 MHz) (standard WLAN protocol), encryption method: WLAN-compatible WPA™/WPA2™
Bluetooth	Bluetooth v4.2 (Bluetooth Low Energy (BLE)), 2402 to 2480 MHz
GPS	Via Leica FOTOS app
Menu languages	English, German, French, Italian, Spanish, Russian, Japanese, Simplified Chinese, Traditional Chinese, Korean

## Power supply

Rechargeable battery (Leica BP-SCL4)	Lithium-ion rechargeable battery, rated voltage: 7.2 V (DC); capacity: 1860 mAh; charging time: approx. 140 min (after deep discharge); manufacturer: Panasonic Energy (Wuxi) Co. Ltd., Made in China  Approx. 450 exposures (according to CIPA standard, with Auto Power Off 10s), approx. 1400 exposures (according to CIPA standard, adapted exposure cycle (alternating: Switch on, one exposure every 3 s, shutdown after 10 exposures, 5 min wait time; switch on, one exposure every 3 s, shutdown after 50 exposures, 5 min wait time), with Auto Power Off 5s)
USB Power supply	USB charger function in standby mode or when switched off, USB power supply when switched on
Charger (Leica BC-SCL4)	Input: AC 100-240 V, 50/60 Hz, 0.25 A, automatic switchover; output: DC 8.4 V 0.85 A; manufacturer: Salom Electric (Xiamen) Co., Ltd., Made in China