



LEICA Q2 MONOCHROM

QUICK START GUIDE



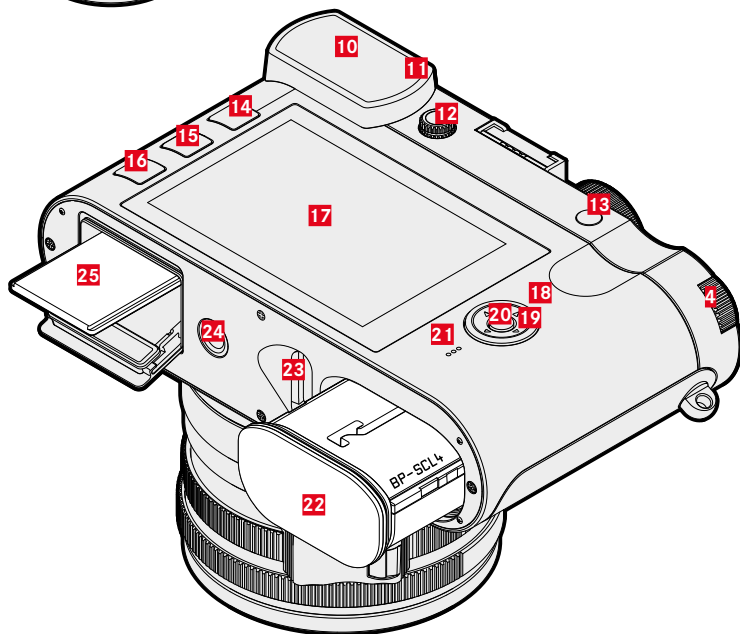
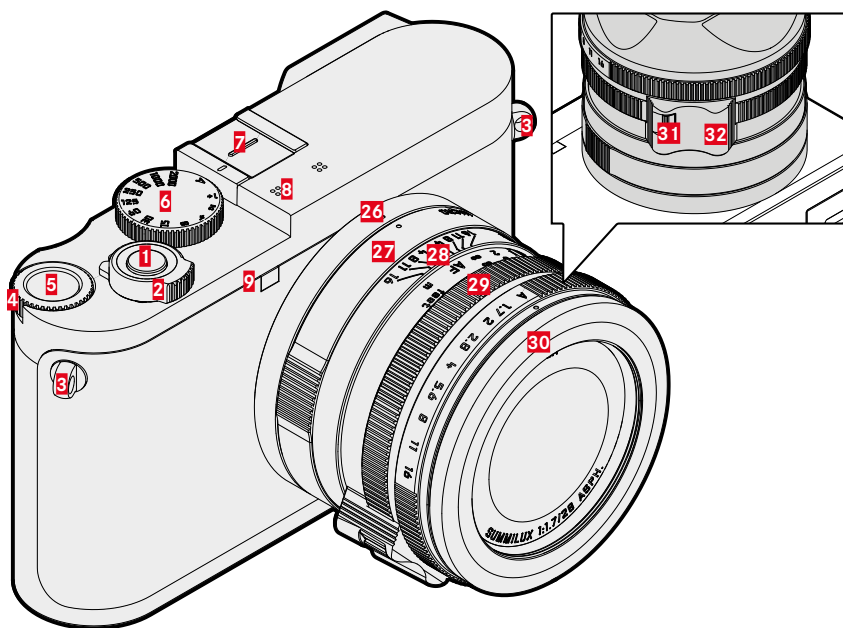
Download the full scope instruction manual here:

<https://en.leica-camera.com/Service-Support/Support/Downloads>

Please register via the following link if you would like to receive a printed copy of the full scope instruction manual:

www.order-instructions.leica-camera.com

PART DESIGNATIONS



1 Shutter button

Tap:

- Autofocusing
- Activating exposure metering and exposure control

Press down fully:

- Shutter release
- Video recording Start/Stop

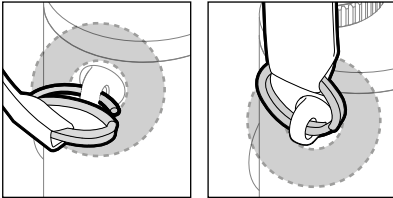
in standby mode:

- The camera is reactivated

2 Main switch

Switching the camera ON/OFF

3 Strap lugs



4 Thumbwheel

in the menu:

- Scrolling within the menu
- ### in recording mode:
- Exposure compensation value selection (depending on operating mode)
 - Select the 2nd function of the thumbwheel (while pressing and holding the button **5**)

in review mode:

- Zooming in/out of the frame

5 Thumbwheel button

in the menu:

- Confirming the selection

in recording mode:

- Call-up of the 2nd function of the thumbwheel or **FN** menu and exposure mode

6 Shutter speed setting dial

- **A**: Automatic shutter speed control
- **2000 - 1+**: Fixed shutter speeds

7 Accessory shoe

Recommended flash units:

Leica SF 40 and SF 60

8 Microphone

Sound is recorded in stereo

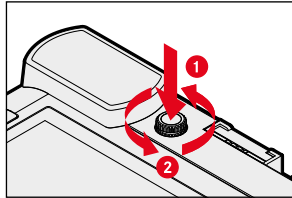
9 Self-timer LED/AF assist light

10 Viewfinder eyepiece

11 Eye sensor

Available settings: LCD panel only/EVF only/automatic switchover

12 Diopter setting wheel



Setting range: -4/+3 diopter

13 Zoom/Lock button

in recording mode:

- Digital zoom

in review mode:

- Marking/rating a recording

14 PLAY button

Switchover between picture and playback/review mode

15 FN button

in recording mode:

- Direct access to menu functions

in review mode:

- Delete function

16 MENU button

in the menu:

- Scrolling through the menu screens

in recording mode:

- Accessing the menu

in review mode:

- Accessing the Playback/Review menu

17 LCD panel



3" TFT LCD, 1,040,000 dots, touch panel

18 Status LED

- for memory card access
- for use of the WLAN function
- for implementation of firmware updates

19 Directional pad

in the menu:

- Scrolling within the menu
- Changing the settings

in recording mode:

- Moving the focal point (Field or Spot AF)

20 Center button

in the menu:

- Confirming the settings
- Accessing submenus

in recording mode:

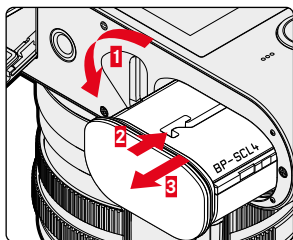
- Accessing the various info screens
- Call up of video function

in review mode:

- Accessing image information and confirming a deletion

21 Speaker

22 Battery compartment

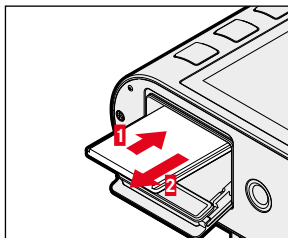
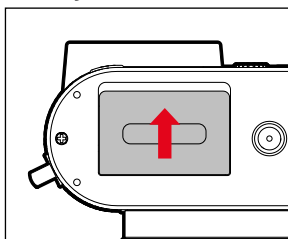


23 Battery release lever

24 Tripod thread

A 1/4 DIN 4503 (1/4")

25 Memory card slot



26 Alignment point for macro function

27 Macro setting ring

28 Focus ring

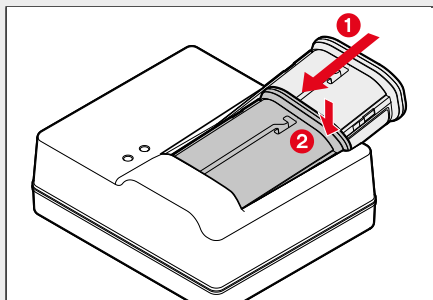
29 Aperture setting ring

30 Thread protection ring

31 AF/MF lock release

32 Focus tab

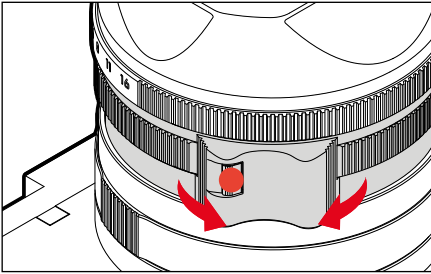
CHARGING THE BATTERY



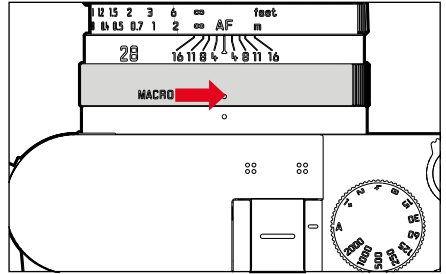
Display	Charge status	Charge time*
CHARGE flashes green	battery is charging	
80% lights up orange	80%	approx. 2 h
CHARGE continuous green light	100%	approx. 3½ h

*for a completely discharged battery

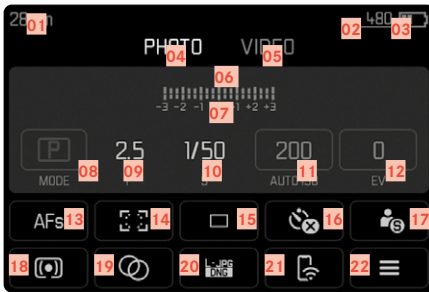
AF/MF LOCK RELEASE



MACRO FUNCTION

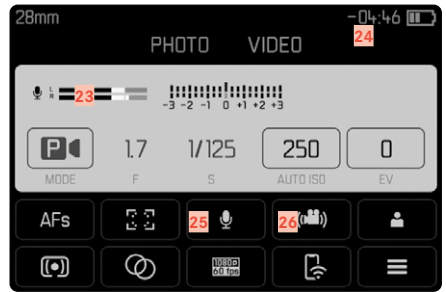


STATUS SCREEN PHOTO



- 01 Focal length
- 02 Remaining memory capacity
- 03 Battery capacity
- 04 Menu section **PHOTO**
- 05 Menu sections **VIDEO**
- 06 Light balance
- 07 Exposure compensation scale
- 08 Exposure mode
- 09 Exposure value
- 10 Shutter speed
- 11 ISO Sensitivity
- 12 Exposure compensation value
- 13 Autofocus mode

STATUS SCREEN VIDEO



- 14 Autofocus metering method
- 15 Picture mode (**Drive Mode**)
- 16 Self-timer
- 17 User profile
- 18 Exposure metering method
- 19 Toning
- 20 File format/compression level/resolution
- 21 Leica FOTOS
- 22 Main menu
- 23 Microphone recording level
- 24 Recording time
- 25 Recording level
- 26 Video stabilization

TOUCH CONTROL & FUNCTIONS

GESTURE CONTROL



tap briefly



double tap



Touch and hold,
drag and drop



horizontal/vertical
swipe

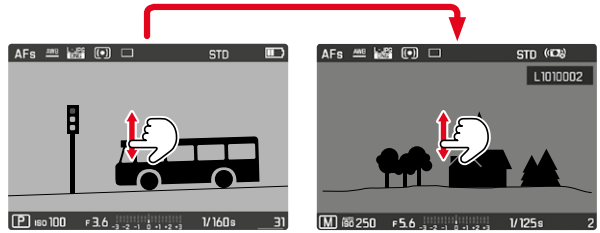


Two-finger
pinch

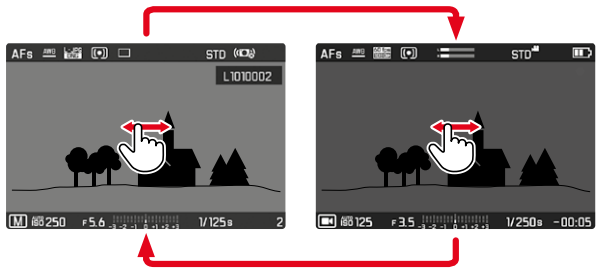


Two-finger
spread

SWITCHOVER: PICTURE/RECORDING/PLAYBACK/REVIEW MODE

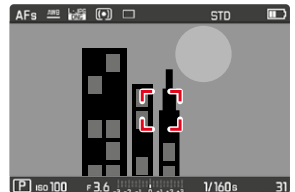


SWITCHOVER: PHOTO/VIDEO



TOUCH AF

Touch AF allows moving the AF frame by touching the screen.



! WARNING

- **INGESTION HAZARD:** This product contains a button cell or coin battery.
- **DEATH** or serious injury can occur if ingested.
- A swallowed button cell or coin battery can cause **Internal Chemical Burns** in as little as **2 hours**.
- **KEEP** new and used batteries **OUT OF REACH** of **CHILDREN**
- **Seek immediate medical attention** if a battery is suspected to be swallowed or inserted inside any part of the body.



MENU OVERVIEW

Factory settings

	Favorites menu	FN Button 15	Thumbwheel button 5
Drive Mode	●		●
Self Timer		●	●
Focusing	●		
Exposure Metering	●	●	●
Exposure Compensation		●	
ISO			●
Auto ISO Settings			
Photo File Format		●	●
JPG Settings			
Color Management			
Digital Zoom			
Optical Image Stabilization			
Electronic Shutter			
Flash Settings			
Exposure Preview			
User Profile	●	●	●
Video Resolution			
Video Settings			
Video Style Settings			
Capture Assistants			
Display Settings			
Preview			
Customize Control			
Leica FOTOS	●	●	
Edit File Names			
Reset Image Numbering			
Power Saving			
Acoustic Signals			
Play Mode Setup			
Format Card			
Camera Information			
Date & Time			
Language			
Reset Camera			

- This product contains non-replaceable battery (type: ML421, nominal voltage: 3V).
- Even used batteries may cause severe injury or death
- Call a local poison control center for treatment information.
- Do not force discharge, recharge, disassemble, heat above 40°C or incinerate. Doing so may result in injury due to venting, leakage or explosion resulting in chemical burns.
- Remove and immediately recycle or dispose of used batteries according to local regulations and keep away from children. Do NOT dispose of batteries in household trash or incinerate
- Non-rechargeable batteries are not to be recharged.

SAFETY REMARKS

GENERAL INFORMATION

- Do not use your camera in the immediate vicinity of devices with powerful magnetic, electrostatic or electromagnetic fields (e.g. induction ovens, microwave ovens, television sets or computer monitors, video game consoles, cell phones, broadcasting equipment). Their electromagnetic fields can interfere with recordings.
- Strong magnetic fields, e.g. from speakers or large electric motors can damage the stored picture data or disrupt recording.
- Switch off the camera, remove the battery and switch the camera back on in case of a camera malfunction due to the effects of electromagnetic fields.
- Do not use the camera in the immediate vicinity of radio transmitters or high-voltage power lines. Their electromagnetic fields may interfere with recordings.
- Always store small parts e.g. the accessory shoe cover as follows:
 - out of the reach of children
 - in a safe location, where they will not get lost or stolen
- State-of-the-art electronic components are sensitive to static discharge. Since people can easily pick up charges of several 10,000 volts by walking on synthetic carpets, a discharge can occur when you touch the camera, and especially it is placed on a conductive surface. A static discharge on the camera housing poses no risk for the electronics. Despite built-in safety circuits, you should avoid direct contact with external camera contacts like those in the flash shoe.
- Take care not to soil or scratch the sensor for lens detection in the bayonet. You must similarly prevent direct contact of the bayonet with grains of sand or similar particles, as these could cause irreparable damage. This component must only be cleaned with a dry cloth (in system cameras).
- Use a cotton or linen cloth instead of a microfiber cloth from an optician's (synthetic) when cleaning the contacts. Make sure to discharge any electrostatic charge by deliberately touching a heating or water pipe (conductive, grounded material). Dirt deposits and oxidation on the contacts can be avoided by storing your camera in a dry location with the lens cap and the flash shoe/viewfinder cap (in system cameras) attached.
- Only use accessories specified for this model to prevent faults, short circuits or electric shock.
- Do not attempt to remove parts of the housing (covers) yourself. Repairs must be done at authorized service centers only.
- Protect the camera against contact with insect sprays and other aggressive chemicals. Petroleum spirit, thinner and alcohol must not be used for cleaning. Some chemicals and liquids can damage the camera housing or the surface finish.
- Rubber and plastics are known to expel aggressive chemicals and should therefore not be kept in contact with the camera for extended periods of time.
- Prevent any sand or dust or water penetration into the camera, e.g. during snowfall or rain or on the beach. Be extra careful when changing the lens (in system cameras) and when inserting or removing the memory card and rechargeable battery. Sand and dust can damage the camera, the lens, the memory card and the battery. Moisture can cause malfunctions and irreparable damage to the camera and memory card.

LENS

- A camera lens can have the effect of a magnifying glass when exposed to direct frontal sunlight. The camera must therefore be protected against extended exposure to direct sunlight.
- Attaching the lens cap and keeping the camera in the shade or ideally in its camera case, will help prevent damage to the interior of the camera.

RECHARGEABLE BATTERY

- Improper use of the batteries or the use of unapproved battery types may result in an explosion!
- Do not expose the rechargeable battery to sunlight, heat, humidity or moisture for prolonged periods of time. Likewise, the batteries must not be placed in a microwave oven or a high-pressure container as this would pose a fire or explosion hazard.
- Do not under any circumstances charge or insert a damp or wet battery into the camera!
- A safety valve in the battery ensures that any excess pressure caused by improper handling is discharged safely. It is nevertheless important to dispose of a bloated battery immediately. It may pose an explosion hazard!
- Keep the battery contacts clean and easily accessible. Although lithium-ion batteries are secured against short circuits, they should still be protected against contact with metal objects like paper clips or jewelry. A short-circuited battery can get very hot and cause severe burns.
- When a battery is accidentally dropped, make sure to check the housing and the contacts immediately for any damage. A damaged battery can damage the camera.
- The battery must be removed from the camera or charger and must be replaced immediately in case of a strange smell, discoloration, deformation, overheating or leakage. Continued use of the battery may result in overheating, which can cause fire and/or explosion!
- Never throw batteries into a fire as they might explode!
- Keep the battery away from sources of heat in case of a leak or a smell of burning. Leaked fluid can catch fire!

- The use of other chargers not approved by Leica Camera AG can cause damage to the batteries – and in extreme cases – cause serious or life-threatening injuries.
- Make sure that the power socket is freely accessible at all times.
- Do not attempt to open the battery or the charger. Repairs must only be carried out by authorized service centers.
- Keep batteries out of the reach of children. Batteries can cause suffocation when swallowed.

CHARGER

- Using the charger in the vicinity of broadcasting receivers may interfere with reception. Ensure a distance of at least 1 m (3 ft) between the charger and the receiver.
- When the charger is in use, it may emit a buzzing sound – this is normal and not a malfunction.
- Disconnect the charger from the mains when it is not in use, because it consumes some a very small amount electricity, even when no battery is inserted.
- Always keep the charger contacts clean, and never short circuit them.

MEMORY CARD

- Never remove the memory card during a datasave or card reading process. The camera must not be switched off or be subjected to impact or vibrations while working.
- Do not open the compartment or remove the memory card or battery while the status LED is flashing to indicate camera memory access. Data on the card may otherwise be destroyed and camera malfunctions may occur.
- Do not drop or bend memory cards as this will cause damage and result in the loss of stored data.
- Do not touch the connections on the reverse of the memory card and keep them clean and dry.
- Keep memory cards out of the reach of children. Swallowing a memory card may cause suffocation.

SENSOR

- Cosmic radiation (e.g. during flights) may cause pixel defects.

CARRY STRAP

- Once you have attached the carry strap, please make sure that the clips are mounted correctly to prevent the camera from falling.
- Carry straps are usually made of very robust material. You should therefore keep it out of the reach of children. A carry strap is not a toy and poses a strangulation risk.
- Use the carry strap only for its intended purpose on a camera or on binoculars. Any other use poses the risk of injury and may possibly result in damage to the carry strap and is therefore not permitted.
- Carry straps should also not be used for cameras/binoculars during sports activities with a high risk of getting entangled in the carry strap (e.g. mountain climbing and similar outdoor activities).

TRIPOD

- When using a tripod, make sure it is standing securely and turn the camera only by turning the tripod, not the actual camera.
- Ensure that the tripod screw is hand-tightened only.
- Avoid transporting the camera while the tripod is attached. You might injure yourself or others and the camera could get damaged.




FLASH

- The use of incompatible flash units with your Leica Q2 Monochrom may result in irreparable damage to the camera and/or the flash unit.

REGULATORY INFORMATION

Specific regional approvals for this device can be found in the camera menu.

- ▶ Select **Camera Information** in the main menu
- ▶ Select **Regulatory Information** from the submenu

 <p>Alternating current (AC)</p>  <p>Direct current (DC)</p>	 <p>Class II devices (the product has a double-insulated design)</p>
--	---



DISPOSAL OF ELECTRICAL AND ELECTRONIC EQUIPMENT

(Applies within the EU and for other European countries with active waste separation policies)

This device contains electric and/or electronic components which must not be disposed of in general household waste. Instead, it should be disposed of at a recycling collection point provided by your local authority. This service is free of charge. Any standard or rechargeable batteries used in this device must be removed and disposed of separately in accordance with local regulations. Please contact your local authorities, waste disposal collection point or the retailer, from whom you purchased the device for more information on correct waste disposal.

WARRANTY

In addition to your statutory warranty rights regarding your dealer, you will receive an additional Leica Camera AG product warranty valid from the date of purchase at an authorized Leica retailer. Previously, the product warranty was included with the product in the packaging. From now on, the product warranty will only be available online as a new service. You will be able to review the warranty conditions for your product at any time, without having to search for the document. Please note that this new policy applies only for products that are no longer delivered with a hardcopy product warranty included in the packaging. Any products still delivered with the warranty document in the packaging remain governed exclusively by that document. For more information regarding the warranty scope, services and limitations, please visit: [warranty](#).

[leica-camera.com](#)

Leica Q2 Monochrom comes with splash water and dust protection.

The camera was tested under controlled laboratory conditions and is classed as IP52 in accordance with DIN EN 60529. Please note: The splash water and dust protection coating is not permanent and will diminish over time. The user manual contains instructions on how to clean and dry the camera. The warranty does not cover liquid damage. Any attempt to open the camera casing by an unauthorized retailer or service partner will cause an immediate expiration of the splash water and dust warranty.

For United Arab Emirates only:

REGISTERED No:
ER67985 / 18
DEALER No:
DA0112968 / 13

For US and Canada only:



A recyclable lithium ion/polymer battery powers this camera. Please call 1-800-8-BATTERY for information on how to recycle this battery.

For Singapore only:

Complies with
IMDA Standards
DA106734

FCC Note:

This equipment has been tested and found to comply with the limits for a Class B digital device, pursuant to Part 15 of the FCC Rules. These limits are designed to provide reasonable protection against harmful interference in a residential installation. This equipment generates, uses, and can radiate radio frequency energy and, if not installed and used in accordance with the instructions, may cause harmful interference to radio communications. However, there is no guarantee that interference will not occur in a particular installation. If this equipment does cause harmful interference to radio or television reception, which can be determined by turning the equipment off and on, the user is encouraged to try to correct the interference by one or more of the following measures:

- Reorient or relocate the receiving antenna.
- Increase the separation between the equipment and receiver.
- Connect the equipment into an outlet on a circuit different from that to which the receiver is connected.
- Consult the dealer or an experienced radio/TV technician for help.

FCC Caution:

To assure continued compliance, follow the attached installation instructions and use only shielded interface cables with ferrite core when connecting to computer or peripheral devices. Any changes or modifications not expressly approved by the party responsible for compliance could void the user's authority to operate this equipment.

Trade Name:	LEICA
Type No.	4889
Responsible party/Support contact:	Leica Camera Inc. 1 Pearl Count, Unit A, Allendale, New Jersey 07401 Tel.: +1 201 995 0051 / Fax: +1 201 995 1684 technicalinfo@leicacamerausa.com

Contains FCC ID:VPYLB1JS955

This transmitter must not be co-located or operated in conjunction with any other antenna or transmitter. This equipment complies with FCC radiation exposure limits set forth for an uncontrolled environment and meets the FCC radio frequency (RF) Exposure Guidelines. This equipment has very low levels of RF energy that are deemed to comply without testing of specific absorption ratio (SAR).

For Canada only:**CAN ICES-3 (B)/NMB-3(B)****HMN: 4889****Contains IC: 772C-LB1JS955**

This device complies with Industry Canada licence-exempt RSS standard(s). Operation is subject to the following two conditions:

(1) this device may not cause interference, and (2) this device must accept any interference, including interference that may cause undesired operation of the device. The available scientific evidence does not show that any health problems are associated with using low power wireless devices. There is no proof, however, that these low power wireless devices are absolutely safe. Low power Wireless devices emit low levels of radio frequency energy (RF) in the microwave range while being used. Whereas high levels of RF can produce health effects (by heating tissue), exposure of low-level RF that does not produce heating effects causes no known adverse health effects. Many studies of low-level RF exposures have not found any biological effects. Some studies have suggested that some biological effects might occur, but such findings have not been confirmed by additional research. Model 4889 has been tested and found to comply with IC radiation exposure limits set forth for an uncontrolled environment and meets RSS-102 of the IC radio frequency (RF) Exposure rules.

English		
Declaration of Conformity (DoC)		
Hereby, "Leica Camera AG" declares that this product is in compliance with the essential requirements and other relevant provisions of Directive 2014/53/EU.		
Customers can download a copy of the original DoC to our RE products from our DoC server: www.cert.leica-camera.com		
In case of further questions, please contact: Leica Camera AG, Am Leitz-Park 5, 35578 Wetzlar, Germany		
Type of wireless	Frequency band (central frequency)	Maximum power (dBm e.i.r.p.)
WLAN	2412 - 2462 MHz/	10.0
	5180 - 5240 MHz/	
	5260 - 5320 MHz/	6.5
	5500 - 5700 MHz	
Bluetooth	2402 - 2480 MHz	7.0

The CE identification of our products documents compliance with the fundamental requirements of the applicable EU directives.

WLAN: 5150 to 5350 Mhz for indoor use only

TECHNICAL DATA

CAMERA

Designation

Leica Q2 Monochrom

Camera type

Digital 35 mm compact camera

Type no.

4889

Order No.

19 055 EU/JP/US, 19 056 ROW (black)

Buffer memory

DNG™: 14 recordings

JPG: 25 recordings

Storage medium

UHS-II (recommended), UHS-I, SD/SDHC/SDXC memory card

Material

Full metal housing: Magnesium die-cast, leather covering

Operating conditions

0/+40°C

Dimensions (WxHxD)

130 x 80 x 87 mm

Weight

approx. 718 g/637 g (with/without battery)

SENSOR

Sensor size

CMOS sensor, 50.4/47.3 MP (total/actual)

Picture resolution

DNG™: 8368 x 5584 pixels (46.7 MP)

JPG: 8368 x 5584 pixels (46.7 MP),

6000 x 4000 pixels (24 MP),

4272 x 2848 pixels (12 MP)

LENS

Designation

Leica Summilux 28 f/1.7 ASPH., 11 lenses in 9 segments, 3 aspherical lens areas

Lens filter thread

E49

VIEWFINDER/LCD PANEL

Viewfinder (EVF)

Resolution: 3.68 MP, 120 fps, magnification: 0.76x, aspect ratio: 4:3, exit pupil position: 20 mm, setting range +3/-4 diopters, with eye sensor for automatic switchover between viewfinder and LCD panel

LCD panel

3" TFT LCD, 1,040,000 dots, touch panel

EQUIPMENT

WLAN

The Leica FOTOS app is required to use the WLAN function. The Leica app is available from the Apple App Store™ or the Google Play Store™. Complies with Wi-Fi IEEE802.11b/g/n, 2.4 GHz, channel 1-11 (2412-2462 MHz) and Wi-Fi IEEE802.11ac, 2.4 GHz & 5 GHz, channel 39-48 (5180-5240 MHz), channel 52-64 (5260-5320 MHz), channel 100-140 (5500-5700 MHz) (standard WLAN protocol), encryption method: WLAN-compatible WPA™/WPA2™

Bluetooth

Bluetooth v4.2 (Bluetooth Low Energy (BLE)), 2402 to 2480 MHz

Menu languages

English, German, French, Italian, Spanish, Russian, Japanese, Simplified Chinese, Traditional Chinese, Korean

POWER SUPPLY

Rechargeable battery (Leica BP-SCL4)

Lithium-ion rechargeable battery, rated voltage: 7.2 V (DC); capacity: 1860 mAh (min.), approx. 340/300 recordings (LCD/EVF, based on CIPA standard); charging time: approx. 140 min (after deep discharge); manufacturer: Panasonic Energy (Wuxi) Co. Ltd., Made in China

Charger (Leica BC-SCL4)

Input: AC 100-240 V, 50/60 Hz, 0.25 A, automatic switchover; Output: DC 8.4 V 0.85 A; Manufacturer: Salom Electric (Xiamen) Co., Ltd., Made in China

You will find the manufacturing date of your camera on the stickers in the Warranty Card and/or on the packaging. The date format is year/month/day.

Subject to changes in design and production.