



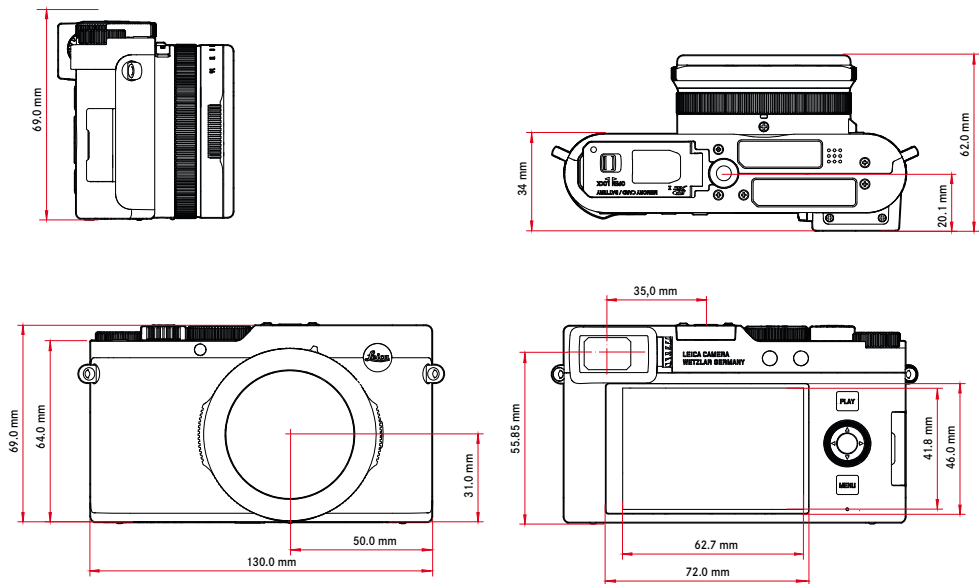
LEICA D-LUX 8

Technical Data.



Designation	Leica D-Lux 8																
Camera type	Digital compact camera																
Type No.	3952A																
Order No.	Black: 19 9191 Metal gray: 19 213																
Buffer memory	DNG™: 14 or higher*, JPG: 100 or higher*																
	<table border="1"> <thead> <tr> <th></th> <th>DNG</th> <th>DNG + JPG</th> <th>JPG</th> </tr> </thead> <tbody> <tr> <td>11 fps</td> <td>12</td> <td>12</td> <td>100</td> </tr> <tr> <td>7 fps</td> <td>13</td> <td>13</td> <td>100</td> </tr> <tr> <td>2 fps</td> <td>23</td> <td>14</td> <td>100</td> </tr> </tbody> </table>		DNG	DNG + JPG	JPG	11 fps	12	12	100	7 fps	13	13	100	2 fps	23	14	100
	DNG	DNG + JPG	JPG														
11 fps	12	12	100														
7 fps	13	13	100														
2 fps	23	14	100														
	*Based on CIPA standards and a memory card with high read/write speed. Capacity, depending on frame rate and picture format, estimated quantity (number of possible images in the buffer memory)																
Storage medium	UHS-I/UHS Speed Class 3, SD-(≤2GB)/SDHC (≤32GB)/SDXC (≤128GB) memory card																
Material	Full metal housing: magnesium die-cast, leatherette covering																
Operating conditions	0°C to +40°C																
Interfaces	ISO accessory shoe with additional control contacts for Leica flash units, HDMI jack Type D, USB 3.1 Gen 1 Type C																
Tripod thread	A 1/4 DIN 4503 (1/4") with stainless steel in the base																

Dimensions



Weight	Approx. 397 g/357 g (with/without battery)
--------	--



LEICA D-LUX 8

Sensor

Sensor size 4/3" CMOS sensor, 21,77 MP/17 MP (total/effective)

Filter RGB color filter, UV/IR filter

File formats Photo: DNG™ (raw data), DNG + JPG, JPG (DCF 2.0, Exif 2.31)
Video: MP4, H.264, AAC stereo

Image resolution

	Aspect ratio	RESOLUTION
DNG™	16:9	5152 x 2904 (15 MP)
	3:2	4928 x 3288 (16.2 MP)
	4:3	4736 x 3552 (16.8 MP)
	1:1	3552 x 3552 (12.6 MP)
L-JPG	16:9	5152 x 2904 (15 MP)
	3:2	4928 x 3288 (16.2 MP)
	4:3	4736 x 3552 (16.8 MP)
	1:1	3552 x 3552 (12.6 MP)

	Aspect ratio	RESOLUTION
M-JPG	16:9	3840 x 2160 (8.3 MP)
	3:2	3504 x 2336 (8.2 MP)
	4:3	3360 x 2520 (8.5 MP)
	1:1	2528 x 2528 (6.4 MP)
S-JPG	16:9	1920 x 1080 (2.1 MP)
	3:2	2496 x 1664 (4.2 MP)
	4:3	2368 x 1776 (4.2 MP)
	1:1	1776 x 1776 (3.2 MP)

File size DNG™: approx. 31 MB, depending on resolution and image content
JPG: depending on resolution and image content
Video: max. length: 29 min

Color depth DNG™: 12 bit
JPG: 8 bit

Color space Photo: sRGB

Video Resolution

	RESOLUTION
4K	3840 x 2160
Full HD	1920 x 1080
HD	1280 x 720

Video frame rate/bit rate

4K 30 p	29.97 fps	4K 4:2:0 / 8 bit	h.264	L-GOP	100 Mbps
4K 24 p	23.98 fps	4K 4:2:0 / 8 bit	h.264	L-GOP	100 Mbps
FHD 60 p	59.94 fps	FHD 4:2:0 / 8 Bit	h.264	L-GOP	28 Mbps
FHD 30 p	29.97 fps	FHD 4:2:0 / 8 Bit	h.264	L-GOP	20 Mbps
HD 30 p	29.97 fps	HD 4:2:0 / 8 Bit	h.264	L-GOP	10 Mbps

Lens

Designation Leica DC Vario-Summilux 1:1.7-2.8/10.9-34 ASPH., 35 mm equivalent: 24-75 mm, aperture range: 1.7-16/2.8-16 (at 10.9/34 mm)

Lens filter thread E43

Image stabilization Visual compensation system for photos and video recordings

Aperture range Depending on zoom level, F1.7 to F16 in 1/3 EV increments (wide angle) F1.7 to F16; (tele zoom) F2.8 to F16 in 1/3 EV increments

Viewfinder/LCD panel

Viewfinder (EVF) OLED, Resolution: 2,360,000 dots, 60 fps, magnification: 0.74x, at aspect ratio: 4:3, exit pupil position: 20 mm, setting range -4/+4 dpt, with eye sensor for automatic switchover between viewfinder and LCD panel, time delay 0.005 s

LCD panel 3" TFT LCD, approx. 1,843,200 dots, 384 ppi, aspect ratio 3:2, touch panel

Shutter

Shutter type Mechanical central shutter or optional electronic shutter

Shutter speeds Mechanical shutter: 60 s to 1/4000 s
Electronic shutter function: 1 s to 1/16000 s

Shutter button Two-stage
(1st stage: Activation of the camera electronics including autofocus and exposure metering, 2nd stage: Taking the picture)

Self-timer Delay time: 2 s or 12 s



LEICA D-LUX 8

Drive Mode	Single, Interval Shooting, Exposure Bracketing Continuous shooting: – Continuous Shooting - 2 fps, 12 bit, AF, Continuous Shooting - 7 fps, 10 bit, Continuous Shooting - 11 fps, 10 bit
------------	---

Focusing

Focus range	50 cm to ∞ With macro setting: from 3 cm (wide angle), from 30 cm (tele zoom)
Focus mode	Automatic, Automatic (macro), or Manual
Autofocus system	Contrast detection
Autofocus modes	Intelligent AF (autonomously selects AFs and AFc), AFs, AFc
Autofocus metering methods	Spot (can be shifted), Field (can be shifted and scaled), Multi-Field, Zone (can be shifted), Eye / Face, Tracking
Autofocus metering fields	49

Exposure

Exposure metering	TTL (exposure metering through the lens), with working aperture									
Metering principle	Exposure metering is done by the image sensor for all exposure metering methods									
Exposure metering methods	Spot, Center-Weighted, Multi-Field									
Exposure modes	Program AE mode (P) Aperture-priority mode (A): manual aperture setting Shutter-priority mode (S): manual shutter-speed setting Manual (M): manual setting for shutter speed and aperture Various fully automatic variants (Scene Mode): Auto, Portrait, Landscape, Night Scenery, Miniature Effect, One Point Color, HDR									
Exposure compensation	±3 EV in 1/3 EV increments									
Automatic bracketing	3, 5 or 7 frames, graduations between shoots up to 1EV, in 1/3 EV increments additional optional exposure compensation: up to ±3 EV									
ISO sensitivity range	<table border="1"><thead><tr><th></th><th>Photo</th><th>Video</th></tr></thead><tbody><tr><td>Auto ISO</td><td>ISO 100–ISO 25 000</td><td>ISO 100–ISO 6 400</td></tr><tr><td>Manual</td><td>ISO 100–ISO 25 000</td><td>ISO 100–ISO 6 400</td></tr></tbody></table>		Photo	Video	Auto ISO	ISO 100–ISO 25 000	ISO 100–ISO 6 400	Manual	ISO 100–ISO 25 000	ISO 100–ISO 6 400
	Photo	Video								
Auto ISO	ISO 100–ISO 25 000	ISO 100–ISO 6 400								
Manual	ISO 100–ISO 25 000	ISO 100–ISO 6 400								
White balance	Automatic (Auto), default (Daylight, Cloudy, Shadow, Tungsten, Flash), manual metering (Gray Card), manual color temperature settings (Color Temperature, 2500 K to 10000 K)									

Flash

Flash unit	Included in the delivery: Leica CF D
Flash angle	Aligned with the shortest focal length of the lens of 10.9 mm
Guide number	10/7 (at ISO 200/100)
Flash range	Approx. 0.6–14.1 m/0.3–8.5 m (at shortest/longest focal length)
Flash unit connector	Via the accessory shoe
Flash sync time	↔ : 1/4000 s, slower shutter speeds available
Flash exposure compensation	±3 EV in 1/3 EV increments

Equipment

Microphone	Stereo
Speaker	Mono
WLAN	WLAN function for connecting to the Leica FOTOS app. The Leica app is available from the Apple App Store™ or the Google Play Store™. IEEE802.11b/g/n Channel 1–11 (2412–2462 MHz), maximum output (e.i.r.p.): 5.9 dBm, encryption method: WLAN-compatible WPA™/WPA2™
Bluetooth	Bluetooth 5.0 LE: Channel 0–39 (2402–2480 MHz), maximum output (e.i.r.p.): 1.2 dBm
GPS	Not available everywhere due to country-specific legislation; can be added via the Leica FOTOS app. Data is written to Exif header of the picture files.
Menu languages	English, German, French, Italian, Spanish, Portuguese, Russian, Japanese, Traditional Chinese, Simplified Chinese, Korean



LEICA D-LUX 8

Power supply

Rechargeable battery (Leica BP-DC15)	Lithium-ion rechargeable battery, rated voltage: 7.2V (DC), capacity: 1025 mAh (min.), manufacturer: Panasonic Energy (Wuxi) Co. Ltd., Made in China
Charging via USB	With camera switched off: 5V/1500 mA (2.5W or greater)
Rated values for input voltage/power	7.2V \Rightarrow 0.9 A (battery), 5V \Rightarrow 1.0 A (USB)
