



GEOVID R SE

Instruction manual



FOREWORD

Dear Customer,
we wish you a great deal of enjoyment and every success with your new Leica product.

Please read this manual to familiarize yourself with the full scope of functions your product has to offer.

Please use this product only as described in this manual. Only then can safe and easy operation be guaranteed.

Your Leica Camera AG

The device uses an invisible laser beam. Please read the chapters “Safety Remarks” and “Important Information” before using the product for the first time. Knowledge of the content will prevent inadvertent damage to the product, possible injuries and other risks.

SCOPE OF DELIVERY

The standard scope of delivery* contains the following:

- Binoculars
- Carry strap
- Eyepiece cover
- 2x protective lens caps
- Carry case
- Lens cleaning cloth
- Quick Start Guide
- Test certificate
- 3V lithium cell (type CR2)

REPLACEMENT PARTS / ACCESSORIES

Contact Leica Customer Care or your specialist Leica retailer for details on the latest replacement parts / accessory range:

<https://en.leica-camera.com/Stores-Dealers/Leica-dealer-locator>

*The actual scope of delivery may vary depending on model.

LEGAL INFORMATION

LEGAL INFORMATION ABOUT THIS MANUAL

COPYRIGHT

All rights reserved.

All text, images and graphics are subject to copyright and other laws to protect intellectual property. They must not be copied, modified or used for any purpose including trade purposes.

TECHNICAL DATA

Product changes with regards to the product or services may have occurred after the editorial deadline. The manufacturer reserves the right to effect structural or shape changes, color deviations and changes to the scope of delivery or service, where these changes or deviations are reasonably acceptable for the customer, while taking into consideration the interests of Leica Camera AG. In that respect, Leica Camera AG reserves the right to changes and errors. The images in this manual may depict accessory, special features or other items that are not part of the standard scope of delivery or service. Some pages may contain model types and services, which are not offered in specific countries.

BRANDS AND LOGOS

The brand names and logos used in this documented are protected trademarks. These brands or logos must not be used without prior approval by Leica Camera AG.

LICENSE RIGHTS

Leica Camera AG intends to provide you with innovative and informative documentation. Due to the amount of creativity that has gone into its design, we ask for your understanding that Leica Camera AG must protect its intellectual property, including patents, trademarks and copyrights, and that possession of the documentation does not infer any licensing rights of the intellectual property of Leica Camera AG.

REGULATORY INFORMATION

You will find the manufacturing date of your product on the stickers on the packaging. The date format is year/month/day.

CE MARK

The CE mark on our products documents compliance with the fundamental requirements of applicable EU guidelines.



TECHNICAL DATA (LASER)

Laser class	IEC/EN Class 1
Wavelength (nm)	900
Pulse duration (ns)	57
Output (mW)	1.6
Beam divergence (mrad)	Vertical: 0.8 Horizontal: 1.8

**CLASS 1
LASER PRODUCT**

With the exception of the characteristics permitted under Variance Number IEC 60825-1 Ed. 3, effective May 8, 2019, this product complies with the performance standards for laser products under 21 CFR 1040.10 and 1040.11.

DISPOSAL OF ELECTRICAL AND ELECTRONIC EQUIPMENT

(Applies within the EU and for other European countries with active waste separation policies.)



This device contains electric and/or electronic components which must not be disposed of in general household waste. Instead, it should be disposed of at a recycling collection point provided by your local authority.

This service is free of charge. Any standard or rechargeable batteries used in this device must be removed and disposed of separately in accordance with local regulations.

Please contact your local authorities, waste disposal collection point or the retailer, from whom you purchased the device for more information on correct waste disposal.

SAFETY REMARKS

WARNING

Non-compliance with the following points may result in serious injury or death.

LASER

- The use of any operations not described in this manual or any alterations on the device may result in hazardous radiation exposure.
- The laser device is active and emitting an invisible laser beam as long as the display in the eyepiece is active. Never point the laser focusing optics at a person or animal.
- Do not depress any of the two buttons while aiming at a human eye or while looking into the optics from the lens side.
- Never aim the laser at an eye.
- Do not aim the laser at people or animals.

GENERAL INFORMATION

- Avoid looking directly at bright light sources with your Leica Geovid to prevent eye injury.

CAUTION

Non-compliance with the following points may result in personal injury or damage to the device.

LASER

- Avoid touching any of the two buttons while the distance measurement function is not in use to prevent an accidental activation of the laser beam.
- Do not attempt to disassemble, reassemble or repair the Leica Geovid yourself. Emitting laser radiation may pose a serious health risk. The manufacturer warranty is void, once a device was disassembled, reassembled or repaired.
- Remove the battery immediately and stop using the device if the device housing is damaged or if it emits a strange sound after being dropped or behaves unexpectedly for any other reason.

GENERAL INFORMATION

- Keep the device out of the reach of small children.
- Do not use the device while walking. You might trip and fall.
- Do not combine the operation of your Leica Geovid with other optical components, e.g. lenses or binoculars. Using the Leica Geovid in conjunction with another optical device increases the danger of damaging your eyes.
- Do not attempt to disassemble or modify the device; exposing the internal electronics may cause damage, injury or electric shock.





BATTERY

- Only the battery type stated and described in this manual must be used. Any improper use of the batteries or the use of unapproved battery types may result in an explosion!
- Do not expose the battery to sunlight, heat, humidity or moisture for prolonged periods of time. It must not be placed in a microwave oven or a high-pressure container as this would pose a fire or explosion hazard!
- Never dispose of batteries in fire and never attempt to heat, recharge, dismantle or break open a battery.
- Batteries must always be stored out of the reach of children. Do not leave batteries lying around, as they could be swallowed by children or pets.

CARRY STRAP

- The carry strap is usually made of very robust material. You should therefore keep it out of the reach of children. A carry strap is not a toy and poses a strangulation risk.
- Use the carry strap only for its intended purpose on a camera or on binoculars. Any other use poses the risk of injury and may possibly result in damage to the carry strap and is therefore not permitted.
- Carry straps should also not be used for cameras/binoculars during sports activities that pose a risk of entanglement (e.g. when mountain climbing and similar outdoor activities).

IMPORTANT INFORMATION

GENERAL INFORMATION

- Do not attempt to take the device apart yourself. Repairs must only be carried out in authorized workshops.
- Remove the battery from the housing if you will not be using the product for an extended period of time.
- Low temperatures impair battery performance. Carry the device close to the body in cold conditions and use a fresh battery.
- Make sure to store the batteries in a cool, dry place.
- Depleted batteries must never be disposed of in household waste as they contain toxic materials that are harmful to the environment. Battery collection points are provided at most large retail outlets; alternatively, you can dispose of old batteries at a local special waste collection point to ensure correct recycling.
- Do not touch the glass surfaces with your fingers, especially if you have previously applied hand cream, insect repellent, etc. These substances may contain chemicals that damage or destroy the coatings on the glass surfaces.

EYEPIECE

- An eyepiece can have the effect of a magnifying glass when exposed to direct frontal sunlight. The device must therefore be protected against extended exposure to direct sunlight. Storing the device in the shade or ideally in its case will help prevent damage to the device interior.

MEASURING VALUES

- The influence of all ballistically relevant influencing factors is greatly increased at longer ranges and considerable variations may occur. The ballistic values displayed should therefore only be viewed as a guideline.
- Regardless of whether this information is used, you are responsible for assessing the relevant hunting situation.
- Leica Camera AG does not accept liability for the accuracy of values transmitted from third-party devices.
- Powerful electric fields, e.g. emanating from radar systems, may cause errors and/or faulty values.
- The geomagnetic field can similarly cause value deviations.

Definition of the various categories of information found in this manual

Note

- Additional information

Caution

- Non-compliance may result in damage to the device and accessories
- Non-compliance may result in personal injury

Warning

- Non-compliance may result in serious injury or death





TERMS OF GUARANTEE OF LEICA CAMERA AG

Dear Leica Customer, congratulations on the purchase of your new Leica product – you are now the proud owner of a world-class brand product.

In addition to your statutory warranty claims against your seller, we, Leica Camera AG ("LEICA"), grant you voluntary warranty services for your Leica product in accordance with the following stipulations ("Leica Warranty"). The Leica warranty therefore does not limit your statutory rights as a consumer under applicable law or your rights as a consumer against the dealer with whom you have concluded the purchase contract.

THE LEICA-GUARANTEE

You have purchased a Leica product that has been manufactured according to special quality guidelines and tested by experienced specialists during the various stages of production. We provide the following Leica Warranty, valid as of April 1, 2023, for this Leica product and including the accessory parts in the original packaging. Please note that we do not offer any warranty for commercial use. We offer an extended warranty for some Leica products, provided you register for a Leica account. Please visit www.leica-camera.com for more details.

SCOPE OF THE LEICA-GUARANTEE

During the warranty period, complaints based on manufacturing and material defects will be remedied free of charge, at LEICA's discretion, by way of repair, replacement of defective parts, or exchange for a similar Leica product in perfect condition. Replaced parts or products become the property of LEICA.

Further claims of any kind and on any legal grounds whatsoever in connection with this Leica Warranty are excluded.

EXCLUDED FROM THE LEICA WARRANTY

Parts subject to wear and tear (e.g. eyecups, leather coverings, carrying straps, armoring, batteries), and parts under mechanical stress are excluded from the Leica Warranty, unless the defect was caused by manufacturing or material defects. That also applies to any exterior damage.

LAPSE OF CLAIMS UNDER THE LEICA-GUARANTEE

Claims under the warranty are void if the defect in question is due to improper handling; they may also be void if e.g. third-party accessories have been used, the Leica product has not been opened professionally or has not been repaired professionally. Claims for warranty services shall similarly be void if the serial number is unrecognizable.

ASSERTION OF THE LEICA-GUARANTEE

We require a copy of the proof of purchase of your Leica product from a LEICA-authorized dealer ("Authorized Leica Dealer") before we can accept any claim under the warranty. The purchase receipt must show the date of purchase, the Leica product with its article number and serial number, and details about the Authorized Leica Dealer. We reserve the right to request the original receipt. Alternatively, you may send us a copy of the warranty card; please note that the Warranty Card must be filled out correctly, and the product must have been purchased from an Authorized Leica Dealer.

Please send your Leica product with a copy of your purchase receipt or the Warranty Card alongside a description of the issue.

Leica Camera AG, Customer Care, Am Leitz-Park 5, 35578 Wetzlar, Germany
Email: customer.care@leica-camera.com, phone: +49(0)6441 2080-189

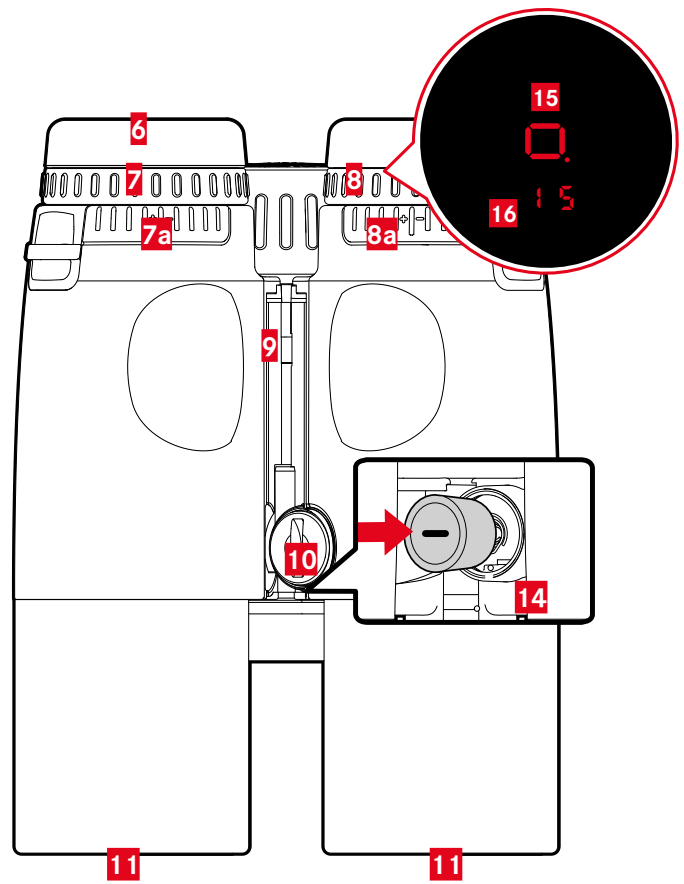
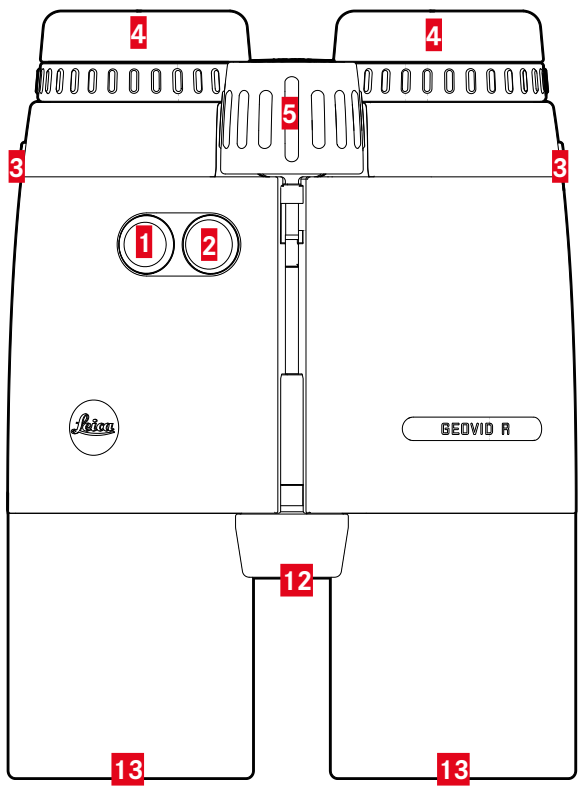
Leica Product Sport Lenses	Warranty Term Lenses/Mechanics	Warranty Term Electronics
Geovid R SE	10 years	3 years

TABLE OF CONTENTS

FOREWORD.....	2	CARE/CLEANING	19
SCOPE OF DELIVERY	2	TECHNICAL DATA	20
REPLACEMENT PARTS / ACCESSORIES	2	LEICA CUSTOMER CARE.....	22
LEGAL INFORMATION.....	3		
SAFETY REMARKS	5		
WARNING	5		
CAUTION	5		
IMPORTANT INFORMATION.....	6		
WARRANTY	8		
TABLE OF CONTENTS	9		
PART DESIGNATIONS	10		
PREPARATION	12		
ATTACHING THE CARRY STRAP	12		
ATTACHING THE PROTECTIVE LENS CAP	12		
INSERTING/CHANGING THE BATTERY	13		
SETTING THE EYECUPS	13		
DIOPTR SETTINGS	14		
SETTING THE INTEROCULAR DISTANCE	14		
SETTINGS AND OPERATION	15		
SETTING THE IMAGE SHARPNESS	15		
ACTIVATING THE RANGEFINDER	15		
MENU CONTROL	16		
METERING OPERATION	17		
DISTANCE MEASUREMENT MADE EASY	17		
SCAN MODE (OBJECT TRACKING)	17		
METERING RANGE / ACCURACY	18		



PART DESIGNATIONS

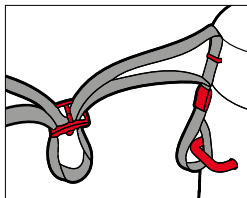


1 Menu Selection Button

EU, US (meter/yard display)

2 Main switch

Switching the device ON/OFF

3 Strap lugs**4 Eyecups (rotating)**

Use without eye glasses: turn in counter-clockwise direction

5 Focusing wheel

Adjusting the focus

6 Eyepiece cap**7 Diopter setting wheel****a Scale****8 Diopter setting wheel for digital display****a Scale****9 Center hinge****10 Battery compartment cover**

Use a coin to turn in anti-clockwise direction to open

11 Lens caps**12 Laser transmission lens****13 Lens****14 Battery compartment**

3 V lithium cell (type CR2)

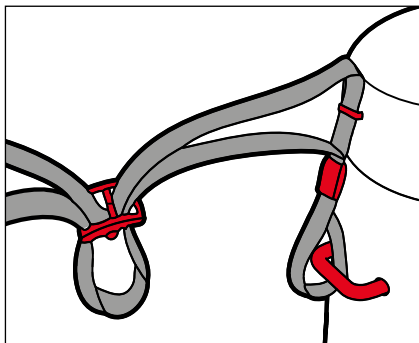
15 Target mark**16 Display**

0 0 (value)



PREPARATION

ATTACHING THE CARRY STRAP



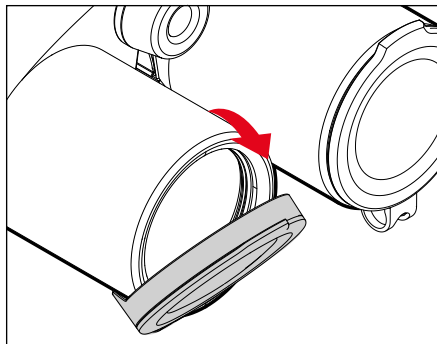
The eyepiece caps can be attached to the carry strap. at the same time as the carry strap is attached to the binoculars.

- ▶ Attach and tighten the carry strap as shown in the illustration

Caution

- Check the correct attachment of the carry strap by pulling at it with some force. The length of the carry strap must not change.

ATTACHING THE PROTECTIVE LENS CAP

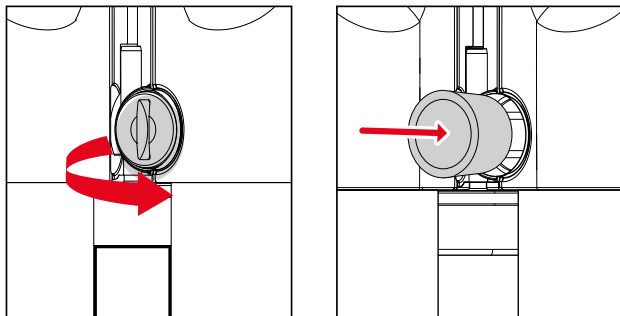


Note

- When positioned correctly, the protective lens cap will flip open downwards.

INSERTING/CHANGING THE BATTERY

A cylindrical 3V lithium cell (type CR2) is required for power supply.



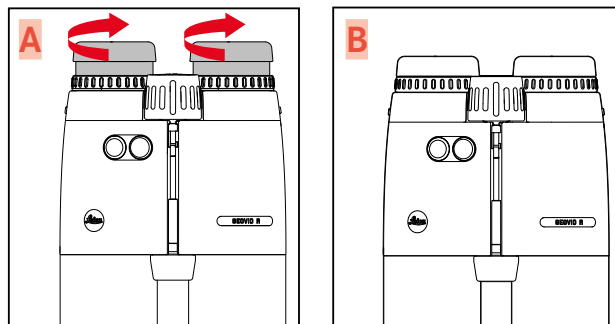
- ▶ Turn the lid over the battery compartment in anti-clockwise direction
 - Use e.g. a small coin.
- ▶ Remove the lid
- ▶ Insert the battery with the plus contact first
- ▶ Attach the lid
- ▶ Tighten the lid by turning it in clock-wise direction

BATTERY CHARGE LEVEL

The measured value and reticule display will flash when the battery nears depletion. You will still have enough power for another 50 measurements – but with a gradually reducing range – once the display begins flashing.

SETTING THE EYECUPS

The position of the eyecups will depend on whether you wear eye-glasses or not. Contact lens wearers can make the settings just like anyone not wearing any eyeglasses.



FOR USE WITHOUT EYE GLASSES

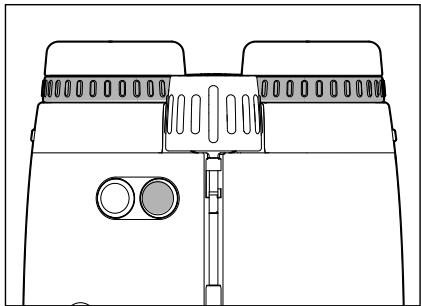
- ▶ Rotate the eyecup out half way or fully (Fig. A)

FOR USE WITH EYE GLASSES

- ▶ Rotate the eyecup fully inward (Fig. B)

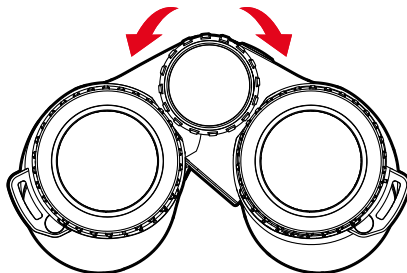
DIOPTR SETTINGS

A diopter compensation function for up to ± 4 diopter is provided to allow users with diminished vision the use of this product and the fine-tuning of the target mark without eye glasses.



- ▶ Return both diopter compensation rings to their zero position.
- ▶ Look through the binoculars
- ▶ Aim at a distant object
- ▶ Adjust the focusing wheel until you can see the target object with optimum sharpness
- ▶ Press the main switch
 - The reticule appears.
- ▶ Adjust the diopter setting wheel on the right until the target mark appears with optimum focus in the right-hand binocular tube
- ▶ Close your left eye or cover the left-hand lens
- ▶ Turn the focusing wheel until you can see the target object with optimum focus in the right-hand binocular tube
- ▶ Close your right eye or cover the right-hand lens
- ▶ Adjust the focusing wheel so that you can see the target object with optimum focus in the left-hand binocular tube

SETTING THE INTEROCULAR DISTANCE

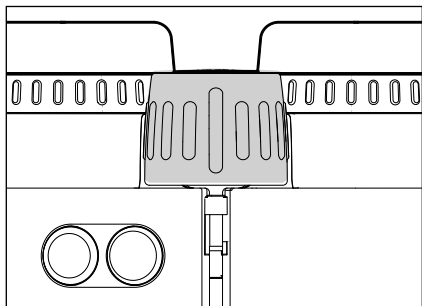


Adjust the interocular distance by moving the hinged joint to match your personal requirements. When the interocular distance is set correctly, the right and left fields of view merge into a circular image.

- ▶ Move the two halves of the binoculars via the central joint until no distracting shadows remain in your view

SETTINGS AND OPERATION

SETTING THE IMAGE SHARPNESS



- ▶ Look through the binoculars
- ▶ Aim at the target object
- ▶ Adjust the focusing wheel until you can see the target object with optimum sharpness

ACTIVATING THE RANGEFINDER

- ▶ Press the main switch
 - The device switches on and the target mark appears.





MENU CONTROL

ACCESSING THE MAIN MENU

- ▶ Press and hold the menu selection button **1** (≥ 3 s)
 - **EU.US** appears.

NAVIGATING IN THE MAIN MENU

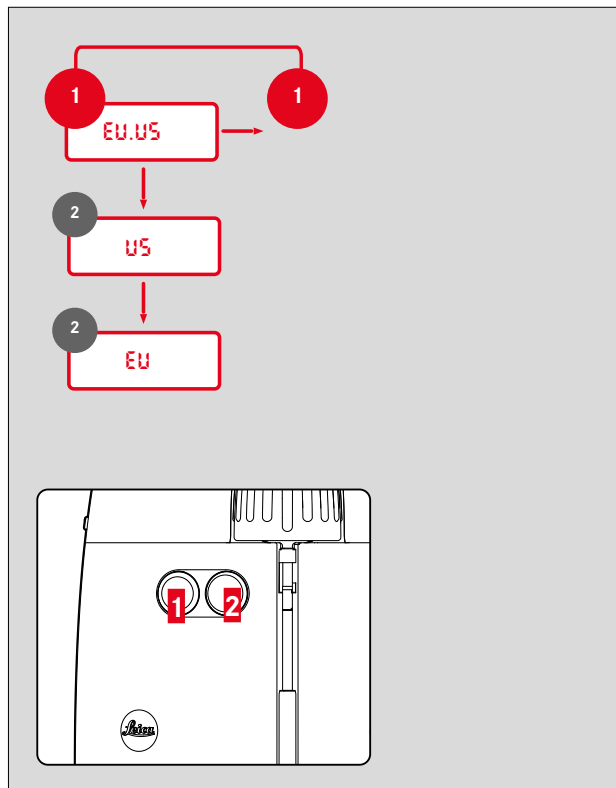
- ▶ Press the menu selection button repeatedly (< 2 s each time) until the desired menu item appears

Menu item	Options	Description
EU.US	US	Yard display
	EU	Meter display

SELECTING SETTINGS

- ▶ Press the main switch **2** repeatedly (< 2 s each time) until the desired menu item appears
 - The selected setting is initially lit continuously as confirmation, then the display switches to the next menu item and then disappears if no further settings are made.

MENU OVERVIEW





SETTING THE UNIT OF MEASURE

The Leica Rangemaster CRF 2400-R can be set to the metric (**ELJ**) or imperial system (**LJS**).

- ▶ Press and hold the menu selection button
 - **LJSEELJ** appears.
- ▶ Press the main switch several times briefly until the desired setting appears

ELJ	Display in meters
LJS	Display in yards

- ▶ Press the menu selection button briefly

Note

- The current setting is always visible in the display: a dot will be shown at the bottom right next to the reticule if metric values are selected.



METERING OPERATION

DISTANCE MEASUREMENT MADE EASY



- ▶ Press the main switch briefly
- ▶ Aim the target mark at the object
- ▶ Press the main switch again
 - The target mark disappears briefly and the measured value is displayed.
 - You can do another measurement at any time by pressing the main button while the target mark remains lit.

-- -- will appear in the following scenarios:

- Distance to the object is less than 10 meters//11 yards
- Range capability is exceeded
- Object is not sufficiently reflective

SCAN MODE (OBJECT TRACKING)



- ▶ Press the main switch briefly
- ▶ Aim at the object while target mark is lit
- ▶ Press and hold main switch for approx. 2.5 seconds
 - The device switches to scan mode and will then measure continuously. Scan mode is indicated by a change in the display. A new measured value appears after approx. 0.5 seconds.

METERING RANGE / ACCURACY

Maximum range is achieved in the following scenarios.

- Highly reflective target objects
- at a visual range of about 10 km (6 mi)

Long ranges can be reliably measured or achieved by holding the rangefinder very steady and/or placing it on a solid surface.

Maximum ranges are:

- on highly reflective targets = approx. 1800 m/1969 yds
- Trees = approx. 1400 m/1530 yds
- Game = approx. 900 m/984 yds

The measuring range is influenced by the following factors:

Range	higher	lower
Color	white	black
Angle to lens	perpendicular	acute
Object size	large	small
Sunlight	low light (cloudy)	high light (midday sun)
Atmospheric conditions	clear	hazy
Object structure	homogeneous (house wall)	inhomogeneous (underbrush, tree)

The following range/accuracy applies in sunlight and with good visibility:

Range (in meters)	Accuracy (1 σ) Normal Operation	Accuracy (1 σ) Scan mode
<350	± 1	± 2
350-700	± 2	± 3
>700	0.5%	0.5%





CARE/CLEANING

- Your Leica rangefinder requires no special care.
- Coarse dirt particles like sand can be removed with a soft brush or simply blown off.
- Do not use excessive force when cleaning a severely soiled lens surface. The coating is abrasion resistant, but not impervious to sand or salt crystals.
- Always rinse off any traces of salt water! Dried salt crystals could damage the surfaces.
- Fingerprints, etc. on front lenses and eyepiece lenses can be pre-cleaned with a damp cloth and then wiped dry with a clean leather or lint-free cloth.
- The rangefinder should be stored in a well-ventilated, dry and cool place to prevent fungal growth (particularly important in humid climates).
- Do not use alcohol or chemical cleaning solutions on the optics or housing.

TECHNICAL DATA



Designation	Leica Geovid R SE 8x42	Leica Geovid R SE 10x42
Device type	Binoculars	Binoculars
Type No.	4058	4058
Order No.	40 825	40 826
Scope of delivery	Binoculars, carry strap, eyepiece cover, carry case, lens cleaning cloth, 2x protective lens cap, quick start guide, certificate, 3 V lithium cell (type CR2)	Binoculars, carry strap, eyepiece cover, carry case, lens cleaning cloth, 2x protective lens cap, quick start guide, certificate, 3 V lithium cell (type CR2)
Magnification	8x	10x
Lens diameter	42 mm	42 mm
Exit pupil	5.25 mm	4.2 mm
Eye relief	15 mm	14 mm
Closest focusing distance	Approx. 5.6 m/61 yd	Approx. 5.6 m/61 yd
Prism system	Roof	Roof
Coating	HDC® multi-coating	HDC® multi-coating
Field of view	7.2° (125m/1000m)	6.3° (110m/1000m)
Diopter compensation	±3.5 dpt	±3.5 dpt
Eye relief	Adjustment range: 56 – 74 mm	Adjustment range: 56 – 74 mm
Range	On highly reflective targets max. approx. 1500 m/1640 yd	On highly reflective targets max. approx. 1500 m/1640 yd
Measuring accuracy	±1 m to 350 m, ±2 m to 700 m, ±0.5% beyond 700 m	±1 m to 350 m, ±2 m to 700 m, ±0.5% beyond 700 m
Display/Unit of measure	LED display with 4 digits and ambient light-controlled brightness	LED display with 4 digits and ambient light-controlled brightness
Max. measurement time	Approx. 0.3 s	Approx. 0.3 s
Protection type	Waterproof to a depth of 5 m (5.5 yd)	Waterproof to a depth of 5 m (5.5 yd)
Operating temperature	Electrical: -20 to 55°C Mechanical: -25 to 55°C	Electrical: -20 to 55°C Mechanical: -25 to 55°C
Storage temperature	-40 to +85°C	-40 to +85°C
Material	Aluminum die-cast with rubber reinforcement	Aluminum die-cast with rubber reinforcement
Dimensions (WxHxD)	125 x 173 x 70 mm	125 x 168 x 70 mm
Weight (without battery)	960 g	955 g

Subject to changes in design, production, and scope of delivery.

TECHNICAL DATA

Designation	Leica Geovid R SE 8x56	Leica Geovid R SE 15x56
Device type	Binoculars	Binoculars
Type No.	4058	4058
Order No.	40827	40829
Scope of delivery	Binoculars, carry strap, eyepiece cover, carry case, lens cleaning cloth, 2x protective lens cap, quick start guide, certificate, 3V lithium cell (type CR2)	Binoculars, carry strap, eyepiece cover, carry case, lens cleaning cloth, 2x protective lens cap, quick start guide, certificate, 3V lithium cell (type CR2)
Magnification	8x	15x
Lens diameter	56 mm	56 mm
Exit pupil	7 mm	3.7 mm
Eye relief	18 mm	15 mm
Closest focusing distance	Approx. 5.6 m/61 yd	Approx. 5.6 m/61 yd
Prism system	Roof	Roof
Coating	HDC® multi-coating	HDC® multi-coating
Field of view	6,8° (118m/1000m)	4,3° (75m/1000m)
Diopter compensation	±3.5 dpt	±3.5 dpt
Eye relief	Adjustment range: 58 - 74 mm	Adjustment range: 58 - 74 mm
Range	On highly reflective targets max. approx. 1500 m/1840 yd	On highly reflective targets max. approx. 1500 m/1840 yd
Measuring accuracy	±1 m to 350 m, ±2 m to 700 m, ±0.5% beyond 700 m	±1 m to 350 m, ±2 m to 700 m, ±0.5% beyond 700 m
Display/Unit of measure	LED display with 4 digits and ambient light-controlled brightness	LED display with 4 digits and ambient light-controlled brightness
Max. measurement time	Approx. 0.3 s	Approx. 0.3 s
Protection type	Waterproof to a depth of 5 m (5.5 yd)	Waterproof to a depth of 5 m (5.5 yd)
Operating temperature	Electrical: -20 to 55°C Mechanical: -25 to 55°C	Electrical: -20 to 55°C Mechanical: -25 to 55°C
Storage temperature	-40 to +85°C	-40 to +85°C
Material	Aluminum die-cast with rubber reinforcement	Aluminum die-cast with rubber reinforcement
Dimensions (WxHxD)	135 x 182 x 70 mm	134 x 210 x 70 mm
Weight (without battery)	1090 g	1260 g

Subject to changes in design, production, and scope of delivery.

LEICA CUSTOMER CARE

Please contact the Customer Care department of Leica Camera AG for the maintenance of your Leica equipment and for help and advice regarding Leica products and how to order them. You can also contact the Customer Care department or the repair service provided by your regional Leica subsidiary for repairs or warranty claims.

Leica Camera AG

Leica Customer Care
Am Leitz-Park 5
35578 Wetzlar
Germany

Phone: +49 (0)6441 2080-189

Fax: +49 (0)6441 2080-339

Email: customer.care@leica-camera.com

www.leica-camera.com

