



# LEICA FORTIS GLOSSY

## Technical Data.



Designation	Leica Fortis Glossy 1-6x24i	Leica Fortis Glossy 1.8-12x42i
Device type	Riflescope	Riflescope
Scope of delivery	Riflescope caps for front lens and eyepiece, cleaning tissue, battery, safety instructions	Riflescope caps for front lens and eyepiece, cleaning tissue, battery, safety instructions
Front lens diameter	24 mm	42 mm
Magnification	1 - 6x	1.8 - 12x
Zoom	6x	6x
Field of view at 100 m (min. up to max. magnification)	44 m to 7 m	22.5 to 3.7 m
Eye relief	>90 mm	>90 mm
Exit pupil	12.4 - 4 mm	12.4-3.5 mm
Parallax-free	100 m	adjustable, 50 m to ∞
Diopter compensation	-4/+3 dpt	-4/+3 dpt
Coating	AquaDura® lens coating	AquaDura® lens coating
Transmission	92%	92%
Focal plane reticle	2 <sup>nd</sup> focal plane	2 <sup>nd</sup> focal plane
Available reticles	L-4a	L-4a
Reticle adjustment (100 m)	400x400 cm	230x230 cm
Impact point correction (100 m)	1 Click = 1 cm/100 m (≈1/3 MoA)	1 Click = 1 cm/100 m (≈1/3 MoA)
Reticle illumination	Dot	Dot
Size illuminated dot (10x magnification)	1.5 cm/100 m	1.5 cm/100 m
Light levels	9	9
Central tube diameter	30 mm	30 mm
Mounting option	30 mm rings / Zeiss internal-rail	30 mm rings / Zeiss internal-rail
Front lens filter thread	M28x0.75 mm	M46x0,75 mm
Length	10.7 in / 272 mm	13.2 in / 335 mm
Weight	19.2 oz / 544 g (with rail 20.1 oz / 570 g)	24.7 oz / 700 g (with rail 25.6 oz / 725 g)
Waterproof	up to 13.1 ft / 4 m water depth (nitrogen-filled)	up to 13.1 ft / 4 m water depth (nitrogen-filled)
Automatic switch-off	3 min., ±75°	3 min., ±75°
Automatic switch-on	Activation by position and/or movement	Activation by position and/or movement
Battery	1 x CR 2032	1 x CR 2032
<b>Order No. (Reticle)</b>		
L-4a	50 049	50 058



# LEICA FORTIS GLOSSY

Technical Data.

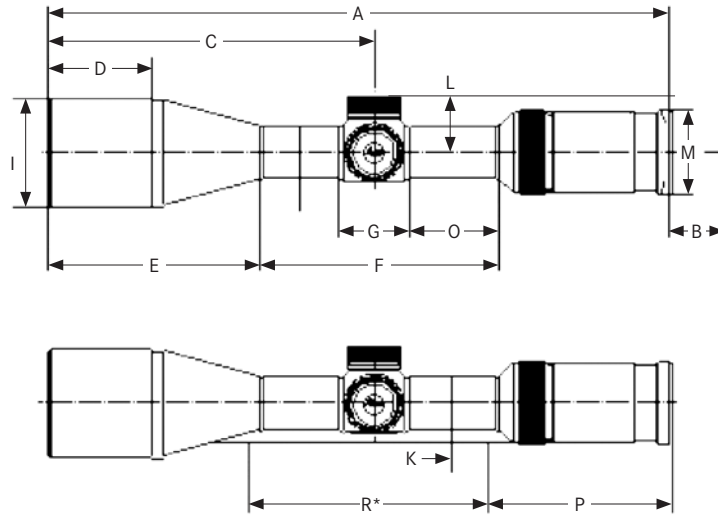


Designation	Leica Fortis Glossy 2 - 12 x 50 i
Device type	Riflescope
Scope of delivery	Riflescope caps for front lens and eyepiece, cleaning tissue, battery, safety instructions
Front lens diameter	50 mm
Magnification	2 - 12 x
Zoom	6 x
Field of view at 100 m (min. up to max. magnification)	20.4 m to 3.5 m
Eye relief	>90 mm
Exit pupil	12.2-4.1 mm
Parallax-free	100 m
Diopter compensation	-4/+3 dpt
Coating	AquaDura® lens coating
Transmission	92%
Focal plane reticle	2 <sup>nd</sup> focal plane
Available reticles	L-4a
Reticle adjustment (100 m)	230 x 230 cm
Impact point correction (100 m)	1 Click = 1 cm/100 m ( $\approx 1/3$ MoA)
Reticle illumination	Dot
Size illuminated dot (10 x magnification)	1.5 cm/100 m
Light levels	9
Central tube diameter	30 mm
Mounting option	30 mm Ringe / Z-Innenschiene
Front lens filter thread	M 52 x 0.75 mm
Length	13.2 in / 335 mm
Weight	24.7 oz / 700 g (with rail 25.6 oz / 725 g)
Waterproof	up to 13.1 ft / 4 m water depth (nitrogen-filled)
Automatic switch-off	3 Min., $\pm 75^\circ$
Automatic switch-on	Activation by position and/or movement
Battery	1 x CR 2032
<b>Order No. (Reticle)</b>	
L-4a	50 062



# LEICA FORTIS GLOSSY

Dimensions.



	Leica Fortis Glossy 1- 6x24 i without / with rail	Leica Fortis Glossy 1.8- 12x42 i without / with rail	Leica Fortis Glossy 2- 12x50 i without / with rail
A	276 mm	333 mm	333 mm
B	90 mm	90 mm	90 mm
C	104 mm	161 mm	161 mm
D	--	55 mm	54 mm
E	83 mm	112 mm	103 mm
F	176 mm	120 mm	130 mm
G	40 mm	40 mm	40 mm
I	30 mm	50 mm	57 mm
J	30 mm	30 mm	30 mm
K	22,5 mm	22,5 mm	22,5 mm
L	32,6 mm	32,6 mm	32,6 mm
M	48 mm	48 mm	48 mm
O	50,4 mm	50,4 mm	50,4 mm
P	119 mm	119 mm	119 mm
R*	139 mm	115 mm	111 mm

\*useable rail length