



LEICA SL3

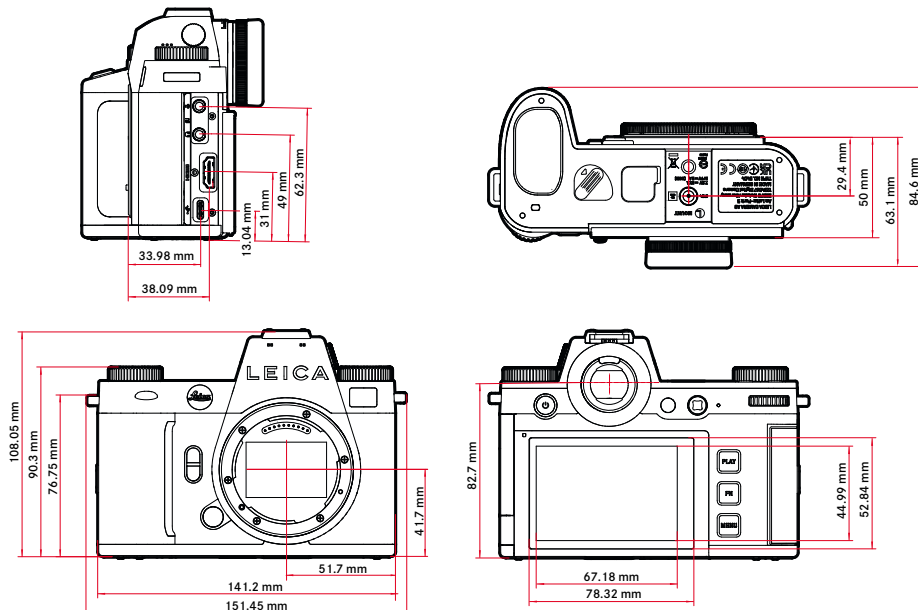
Technical Data.



Designation	Leica SL3																																
Camera type	Mirrorless full-frame system camera																																
Type No.	5404																																
Order No.	10 607 (EU/US/CN), 10 608 (JP), 10 609 (ROW)																																
Buffer memory	8 GB, capacity depends on frame rate and image format, estimated quantity (number of possible images in the buffer memory)																																
	<table border="1"> <thead> <tr> <th>Continuous Shooting</th> <th>DNG</th> <th>DNG + JPG</th> <th>JPG</th> </tr> </thead> <tbody> <tr> <td>15 fps, 12 Bit</td> <td>60</td> <td>60</td> <td>60</td> </tr> <tr> <td>9 fps, 12 Bit</td> <td>75</td> <td>65</td> <td>75</td> </tr> <tr> <td>7 fps, 12 Bit</td> <td>80</td> <td>70</td> <td>80</td> </tr> <tr> <td>6 fps, 14 Bit</td> <td>90</td> <td>75</td> <td>90</td> </tr> <tr> <td>5 fps, 12 Bit, AF</td> <td>90</td> <td>75</td> <td>90</td> </tr> <tr> <td>4 fps, 14 Bit, AF</td> <td>100</td> <td>80</td> <td>105</td> </tr> <tr> <td>2 fps, 14 Bit, AF</td> <td>400</td> <td>120</td> <td>unlimited</td> </tr> </tbody> </table>	Continuous Shooting	DNG	DNG + JPG	JPG	15 fps, 12 Bit	60	60	60	9 fps, 12 Bit	75	65	75	7 fps, 12 Bit	80	70	80	6 fps, 14 Bit	90	75	90	5 fps, 12 Bit, AF	90	75	90	4 fps, 14 Bit, AF	100	80	105	2 fps, 14 Bit, AF	400	120	unlimited
Continuous Shooting	DNG	DNG + JPG	JPG																														
15 fps, 12 Bit	60	60	60																														
9 fps, 12 Bit	75	65	75																														
7 fps, 12 Bit	80	70	80																														
6 fps, 14 Bit	90	75	90																														
5 fps, 12 Bit, AF	90	75	90																														
4 fps, 14 Bit, AF	100	80	105																														
2 fps, 14 Bit, AF	400	120	unlimited																														
Storage medium	UHS-II (recommended), UHS-I, SD/SDHC/SDXC card + CFexpress card type B (recommended)																																
Material	Full metal housing: magnesium and aluminum, leatherette covering, splash water protected in accordance with IEC Standard 60529 (protection type IP54)																																
Lens mount	Leica L bayonet with contact strip for communication between lens and camera																																
Operating conditions	-10 to +40°C																																
Interfaces	ISO accessory shoe with additional control contacts, timecode interface, HDMI jack 2.1 Type A, USB-C USB3.1 Gen2, Audio-Out 3.5 mm/Audio-In 3.5 mm, communication interface in the bottom cover for multifunction handgrip																																
Tripod thread	A 1/4 DIN 4503 (1/4") with stainless steel in the base																																

The values depend on the type of memory card used (SD or CFexpress) / resolution

Dimensions



Weight	Approx. 769.7g (without battery, SD card, body cap)
---------------	---



LEICA SL3

Sensor

Sensor size CMOS sensor, 62.39 MP/60.3 MP (total/effective)

Image stabilization 5-axis image stabilization up to 5-stops

Filter RGB color filter, UV/IR filter, no low-pass filter

Processor Leica Maestro series (Maestro IV)

File formats Photo: DNG™ (raw data), DNG + JPG, JPG (DCF 2.0, Exif 2.31)
Video:

MP4	h.265	AAC	48 kHz/16 bit
	h.264	AAC	48 kHz/16 bit
MOV	h.265	LPCM	48 kHz/24 bit
	h.264	LPCM	48 kHz/24 bit
	ProRes	LPCM	48 kHz/24 bit

Image resolution

35 mm	JPG		DNG	
L	9520 x 6336	60.3 MP	9520 x 6336	60.3 MP
M	7392 x 4928	36.4 MP	7404 x 4928	36.5 MP
S	5280 x 3504	18.5 MP	5288 x 3518	18.6 MP
APS-C	JPG		DNG	
L	6256 x 4160	26.0 MP	6256 x 4168	26.1 MP
M	4864 x 3232	15.7 MP	4868 x 3242	15.8 MP
S	3472 x 2304	8.0 MP	3476 x 2314	8.0 MP

Color depth DNG™: 14 bit (12 bit also possible depending on the continuous shooting mode), JPG: 8 bit

Color space Photo: sRGB
Video: Rec. 709/Rec. 2020 (HLG/L-Log)

File size DNG™: approx. 70 MB, depending on resolution and image content, JPG: depending on resolution and image content
Video: max. length depending on ambient temperature and available memory space

Video recording mode Video mode: P - A - S - M
Cine mode: M

Video Resolution

	RESOLUTION
C8K (17:9)	8192 x 4320
8K (16:9)	7680 x 4320
C4K (17:9)	4096 x 2160
4K (16:9)	3840 x 2160
Full HD (16:9)	1920 x 1080



LEICA SL3

Video frame rate

MOV C8K					
MOV C8K (recording to SD)					
29.97fps	C8K 4:2:0 / 10bit	h.265	L-GOP	300	Mbps
25.00fps	C8K 4:2:0 / 10bit	h.265	L-GOP	300	Mbps
24.00fps	C8K 4:2:0 / 10bit	h.265	L-GOP	300	Mbps
23.98fps	C8K 4:2:0 / 10bit	h.265	L-GOP	300	Mbps
MOV C8K (HDMI output without HLG/L-Log and without recording to SD)					
29.97fps	8K 4:2:0 / 8bit	h.265	L-GOP	300	Mbps
25.00fps	8K 4:2:0 / 8bit	h.265	L-GOP	300	Mbps
24.00fps	8K 4:2:0 / 8bit	h.265	L-GOP	300	Mbps
23.98fps	8K 4:2:0 / 8bit	h.265	L-GOP	300	Mbps
MOV C8K (HDMI output with HLG/L-Log or during recording to SD)					
29.97fps	C4K 4:2:2 / 10bit	h.265	L-GOP	300	Mbps
25.00fps	C4K 4:2:2 / 10bit	h.265	L-GOP	300	Mbps
24.00fps	C4K 4:2:2 / 10bit	h.265	L-GOP	300	Mbps
23.98fps	C4K 4:2:2 / 10bit	h.265	L-GOP	300	Mbps
MOV 8K					
MOV 8K (recording to SD)					
29.97fps	8K 4:2:0 / 10bit	h.265	L-GOP	300	Mbps
25.00fps	8K 4:2:0 / 10bit	h.265	L-GOP	300	Mbps
24.00fps	8K 4:2:0 / 10bit	h.265	L-GOP	300	Mbps
23.98fps	8K 4:2:0 / 10bit	h.265	L-GOP	300	Mbps
MOV 8K (HDMI output without HLG/L-Log and without recording to SD)					
29.97fps	8K 4:2:0 / 8bit	h.265	L-GOP	300	Mbps
25.00fps	8K 4:2:0 / 8bit	h.265	L-GOP	300	Mbps
24.00fps	8K 4:2:0 / 8bit	h.265	L-GOP	300	Mbps
23.98fps	8K 4:2:0 / 8bit	h.265	L-GOP	300	Mbps
MOV 8K (HDMI output with HLG/L-Log or during recording to SD)					
29.97fps	4K 4:2:2 / 10bit	h.265	L-GOP	300	Mbps
25.00fps	4K 4:2:2 / 10bit	h.265	L-GOP	300	Mbps
24.00fps	4K 4:2:2 / 10bit	h.265	L-GOP	300	Mbps
23.98fps	4K 4:2:2 / 10bit	h.265	L-GOP	300	Mbps
MOV 4K					
59.94fps	4:2:2 / 10bit (SD & HDMI)	h.264	ALL-I	600	Mbps
50.00fps	4:2:2 / 10bit (SD & HDMI)	h.264	ALL-I	600	Mbps
48.00fps	4:2:2 / 10bit (SD)	h.264	ALL-I	600	Mbps
24.00fps	4:2:2 / 10bit (HDMI)	h.264	ALL-I	600	Mbps
47.95fps	4:2:2 / 10bit (SD)	h.264	ALL-I	600	Mbps
23.98fps	4:2:2 / 10bit (HDMI)	h.264	ALL-I	600	Mbps
29.97fps	4:2:2 / 10bit (SD & HDMI)	h.264	ALL-I	400	Mbps
25.00fps	4:2:2 / 10bit (SD & HDMI)	h.264	ALL-I	400	Mbps
24.00fps	4:2:2 / 10bit (SD & HDMI)	h.264	ALL-I	400	Mbps
23.98fps	4:2:2 / 10bit (SD & HDMI)	h.264	ALL-I	400	Mbps
MOV 2K					
59.94fps	4:2:2 / 10bit (SD & HDMI)	h.264	ALL-I	600	Mbps
50.00fps	4:2:2 / 10bit (SD & HDMI)	h.264	ALL-I	600	Mbps
48.00fps	4:2:2 / 10bit (SD)	h.264	ALL-I	600	Mbps
24.00fps	4:2:2 / 10bit (HDMI)	h.264	ALL-I	600	Mbps
47.95fps	4:2:2 / 10bit (SD)	h.264	ALL-I	600	Mbps
23.98fps	4:2:2 / 10bit (HDMI)	h.264	ALL-I	600	Mbps
29.97fps	4:2:2 / 10bit (SD & HDMI)	h.264	ALL-I	400	Mbps
25.00fps	4:2:2 / 10bit (SD & HDMI)	h.264	ALL-I	400	Mbps
24.00fps	4:2:2 / 10bit (SD & HDMI)	h.264	ALL-I	400	Mbps
23.98fps	4:2:2 / 10bit (SD & HDMI)	h.264	ALL-I	400	Mbps
MOV FHD					
119.88fps	4:2:2 / 10bit (SD & HDMI)	h.264	ALL-I	400	Mbps
100.00fps	4:2:2 / 10bit (SD & HDMI)	h.264	ALL-I	400	Mbps
59.94fps	4:2:2 / 10bit (SD & HDMI)	h.264	ALL-I	200	Mbps
50.00fps	4:2:2 / 10bit (SD & HDMI)	h.264	ALL-I	200	Mbps
48.00fps	4:2:2 / 10bit (SD)	h.264	ALL-I	200	Mbps
24.00fps	4:2:2 / 10bit (HDMI)	h.264	ALL-I	200	Mbps
47.95fps	4:2:2 / 10bit (SD)	h.264	ALL-I	200	Mbps
23.98fps	4:2:2 / 10bit (HDMI)	h.264	ALL-I	200	Mbps
29.97fps	4:2:2 / 10bit (SD & HDMI)	h.264	ALL-I	200	Mbps
25.00fps	4:2:2 / 10bit (SD & HDMI)	h.264	ALL-I	200	Mbps
24.00fps	4:2:2 / 10bit (SD & HDMI)	h.264	ALL-I	200	Mbps
23.98fps	4:2:2 / 10bit (SD & HDMI)	h.264	ALL-I	200	Mbps
MOV FHD Slow Motion					
Sensor:	4:2:0 / 10bit (SD & HDMI)	h.265	L-GOP	100	Mbps
119.88fps					
Recording/					
Playback:					
29.97fps					
Sensor:	4:2:0 / 10bit (SD & HDMI)	h.265	L-GOP	100	Mbps
100.00fps					
Recording/					
Playback:					
25.00fps					
MOV FHD ProRes					
59.94fps	422HQ	ProRes		454	Mbps
50.00fps	422HQ	ProRes		378	Mbps
29.97fps	422HQ	ProRes		227	Mbps
25.00fps	422HQ	ProRes		189	Mbps
24.00fps	422HQ	ProRes		182	Mbps
23.98fps	422HQ	ProRes		181	Mbps
MP4 8K					
MP4 8K (recording to SD)					
29.97fps	8K 4:2:0 / 10bit	h.265	L-GOP	300	Mbps
25.00fps	8K 4:2:0 / 10bit	h.265	L-GOP	300	Mbps
23.98fps	8K 4:2:0 / 10bit	h.265	L-GOP	300	Mbps
MP4 8K (HDMI output without recording to SD)					
29.97fps	8K 4:2:0 / 8bit	h.265	L-GOP	300	Mbps
25.00fps	8K 4:2:0 / 8bit	h.265	L-GOP	300	Mbps
23.98fps	8K 4:2:0 / 8bit	h.265	L-GOP	300	Mbps
MP4 8K (HDMI output during recording to SD)					
29.97fps	4K 4:2:2 / 10bit	h.265	L-GOP	300	Mbps
25.00fps	4K 4:2:2 / 10bit	h.265	L-GOP	300	Mbps
23.98fps	4K 4:2:2 / 10bit	h.265	L-GOP	300	Mbps
MP4 4K					
59.94fps	4:2:0 / 10bit (SD & HDMI)	h.265	L-GOP	100	Mbps
50.00fps	4:2:0 / 10bit (SD & HDMI)	h.265	L-GOP	100	Mbps
29.97fps	4:2:0 / 8bit (SD & HDMI)	h.264	L-GOP	100	Mbps
25.00fps	4:2:0 / 8bit (SD & HDMI)	h.264	L-GOP	100	Mbps
23.98fps	4:2:0 / 8bit (SD & HDMI)	h.264	L-GOP	100	Mbps
MP4 FHD					
59.94fps	4:2:0 / 8bit (SD & HDMI)	h.264	L-GOP	28	Mbps
50.00fps	4:2:0 / 8bit (SD & HDMI)	h.264	L-GOP	28	Mbps
29.97fps	4:2:0 / 8bit (SD & HDMI)	h.264	L-GOP	20	Mbps
25.00fps	4:2:0 / 8bit (SD & HDMI)	h.264	L-GOP	20	Mbps
23.98fps	4:2:0 / 8bit (SD & HDMI)	h.264	L-GOP	24	Mbps

Bit rate 8bit/10bit for recordings on SD card, 10bit for HDMI output

Video Gamma Rec. 709, L-Log Rec. 2020, HLG Rec. 2020
Further information can be found in the "L-Log Reference Manual" for download on the Leica homepage.

Viewfinder/LCD panel

Viewfinder (EVF) Resolution: 5,760,000 dots, 60 fps or 120 fps, magnification: approx. 0.76x at aspect ratio: 3:2 / approx. 0.78x at aspect ratio: 4:3, frame coverage: 100%, exit pupil position: 21 mm, setting range -4/+2 dpt, with eye sensor for automatic switchover between viewfinder and LCD panel, time delay 0.005 s

LCD panel 3.2" (backlight LED) with anti-fingerprint and anti-scratch coating, 2,332,800 dots, format 3:2, touch panel

Top display 1.28" highly reflective trans-reflective monochrome LCD, 128 x 128 pixels, viewing angle 120°, anti-fingerprint coating

Shutter

Shutter type Electronically controlled focal plane shutter

Shutter speeds Mech. shutter: 60 min to 1/8000s, electr. shutter function: 60s to 1/16000s, flash synchronization: up to 1/200s



LEICA SL3

Shutter button Two-stage
(1st stage: Activation of the camera electronics including autofocus and exposure metering, 2nd stage: Taking the picture)

Self-timer Delay time: 2 s, 6 s, 12 s or 30 s

Drive Mode **Single**, **Continuous Shooting**, **Interval Shooting**, **Exposure Bracketing**
Continuous shooting:

Setting	Shutter type	Autofocus mode for continuous shooting
2 fps, 14 bit, AF	Mech. or electr. shutter	AFs, even if AFs or Intelligent AF is selected
4 fps, 14 bit, AF		
5 fps, 12 bit, AF		
6 fps, 14 bit*		
7 fps, 12 bit*	Electr. shutter	No refocusing
9 fps, 12 bit*		
15 fps, 12 bit*		

*Automatic settings (exposure settings in operating modes P/A/S, automatic white balance and autofocus) are implemented for the first frame, and are then applied for each subsequent frame in the same picture series.

Focusing

Focus mode Automatic or manual
With manual setting: optional magnifying glass function (**Magnification**) and edge marking (**Focus Peaking**) available as focus assist

Autofocus system Hybrid-AF due to combination of contrast metering, depth mapping, and phase comparison metering with AF metering points in the sensor.

Autofocus modes **Intelligent AF** (automatically refocuses as soon as something changes in the scene), **AFs**, **AFc**, AF setting can be saved, optional **Touch AF**

Autofocus metering methods **Multi-field**, **Spot** (can be shifted), **Field** (can be shifted and scaled), **Zone** (can be shifted and scaled), **Tracking**, **Eye/Face/Body Detection**, **Animal Detection (Beta)**

Autofocus metering fields 315

Exposure

Exposure metering TTL (exposure metering through the lens)

Exposure metering methods **Spot**, **Center-Weighted**, **Highlight-Weighted**, **Multi-Field**

Exposure modes Program AE mode (P), aperture-priority mode (A): manual aperture setting, shutter-priority mode (S): manual shutter speed setting, Manual (M): manual setting for shutter speed and aperture

Exposure compensation ±3EV in 1/3EV increments or 1/2EV increments

Automatic bracketing 3 or 5 frames, graduations between shoots up to 3EV, in 1/3EV increments, additional optional exposure compensation: up to ±3EV

ISO sensitivity range	Photo	Video	Video L-Log	HLG
Auto ISO	ISO 100– ISO 100 000	ISO 100– ISO 100 000	ISO 200– ISO 100 000	ISO 400– ISO 100 000
Manual	ISO 50– ISO 100 000	ISO 50– ISO 100 000	ISO 200– ISO 100 000	ISO 400– ISO 100 000

Dual Basis ISO settings	Photo	Video	Video L-Log	HLG
Low Basis ISO	ISO 50– ISO 280	ISO 50– ISO 280	ISO 200– ISO 560	ISO 400– ISO 1100
High Basis ISO	ISO 320– ISO 100 000	ISO 320– ISO 100 000	ISO 640– ISO 100 000	ISO 12000– ISO 100 000

White balance Automatic (**Auto**, default **Daylight**, **Cloudy**, **Shadow**, **Tungsten**, **HMI**, **Fluorescent (warm)**, **Fluorescent (cool)**, **Flash**), manual metering (**Gray Card (pipette)**, **Gray Card**), manual color temperature settings (**Color Temperature**, 2000K to 11500K)



LEICA SL3

Flash

Flash unit connector	Via the accessory shoe
Flash synchro socket	For flash synchronization (photo mode only)
Flash sync time	⚡ : 1/200 s, slower shutter speeds available, automatic switchover to TTL linear flash mode with HSS-compatible Leica system flash units if sync time is undercut
Flash exposure metering	Using center-weighted TTL pre-flash metering with Leica flash units (SF 26, SF 40, SF 58, SF 60, SF 64) or with system-compatible flash units, remote controlled flash SFC1
Flash exposure compensation	SF 40: ±2 EV in 1/2 EV increments SF 60: ±2 EV in 1/3 EV increments

Equipment

Microphone	Stereo internal + microphone input 3.5 mm stereo jack
Speaker	Mono internal + headphones output 3.5 mm stereo jack

WLAN The Leica FOTOS app is required to use the WLAN function. The Leica app is available from the Apple App Store™ or the Google Play Store™.

	2.4 GHz	5 GHz	
EU/ US/ CN	IEEE802.11b/g/n: Channel 1-11 (2412-2462 MHz)	Client mode: (For indoor use only) IEEE802.11a/n/ac: Channel 36-64 (5180-5320 MHz)	Access point + client mode: IEEE802.11a/n/ac: Channel 149-165 (5745-5825 MHz)
JP		Access point + client mode: (For indoor use only) IEEE802.11a/n/ac: Channel 36-48 (5180-5240 MHz)	Client mode: (For indoor use only) IEEE802.11a/n/ac: Channel 52-144 (5260-5720 MHz)
ROW			

Encryption method: WLAN-compatible WPA2™

Bluetooth	Bluetooth 5.0 LE: Channel 0-39 (2402-2480 MHz)
GPS	Not available everywhere due to country-specific legislation; can be added via the Leica FOTOS app. Data is written to Exif header of the picture files.
Menu languages	English, German, French, Italian, Spanish, Portuguese, Russian, Japanese, Simplified Chinese, Traditional Chinese, Korean

Power supply

Rechargeable battery (Leica BP-SCL6) Lithium-ion rechargeable battery, rated voltage: 7.2V (DC); capacity: 2200 mAh (min.), 350 shots (based on CIPA standard, with All Displays Auto Off = 5); Factory: Panasonic Energy (Wuxi) Co. Ltd., Made in China

*Cycle 1: Switch on, 1st shutter release after 5 s, one shot every 3 s, after 10 shots the camera is switched off (Auto Power Off) and switched on again after a waiting time of 5 min.

Cycle 2: Switch on, 1st shutter release after 5 s, one shot every 3 s, after 50 shots the camera is switched off (Auto Power Off) and switched on again after a waiting time of 5 min.

These cycles are repeated alternately until the battery is empty.

USB-C power adapter (Leica ACA-SCL6) (optional) Input: AC 100-240V, 50/60Hz, 0.25A, automatic switchover; Output: DC 5V/9V, 3A; Manufacturer: Salom Electric (Xiamen) Co., Ltd., Made in China

Dual Charger (Leica BC-SCL6) (optional) Input: DC 5V/3A, 9V/3A, automatic switchover; Output: DC 8.4V, 850mA/1000mA; Manufacturer: Salom Electric (Xiamen) Co., Ltd., Made in China

Charging via USB During operation: 9V/3A (min. 27W)
With camera switched off: 5V/1500 mA (2.5W or greater)



QuickTime