



Repair and Service Document

FV-G-002
Rev. 02/23

Please fill in electronically!

Last Name:	Phone:
First Name:	E- Mail:
Street:	VAT ID Number:
City, ZIP:	Deviant delivery address:
Country:	

Include any additional accessories if required for the fault analysis (charger, SD card etc.) Please remove any third party equipment/accessories, we assume no liability.

ATTENTION! DO NOT SEND IN BATTERIES!

Product:	Yes	No
Serial Number:		
Warranty Documents:		

Detailed fault description or additional information:

Product:	Yes	No
Serial Number:		
Warranty Documents:		

Detailed fault description or additional information:

Accessories:

IMPORTANT! If the fault concerns image quality (f.e. dead pixels, blurriness, reflexes etc.) please include a sample in uncompressed DNG format on SD card or USB flash drive.



Repair and Service Document

FV-G-002
Rev. 02/23

Please insure the following:

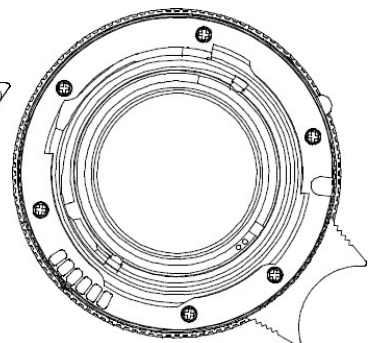
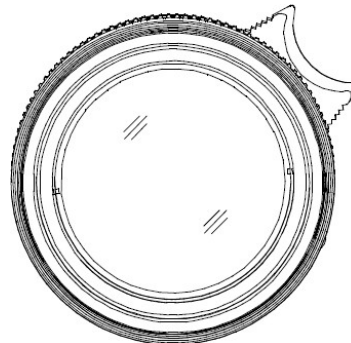
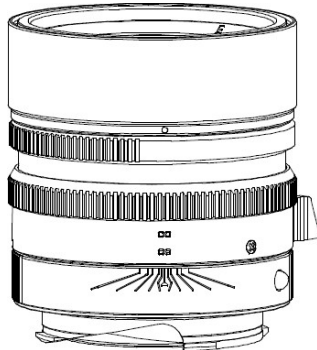
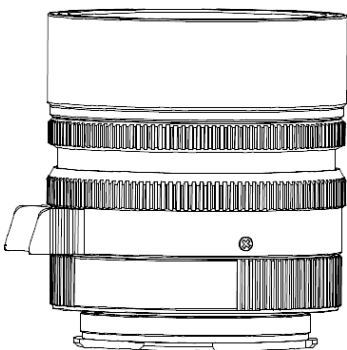
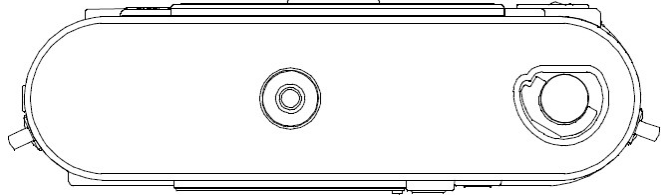
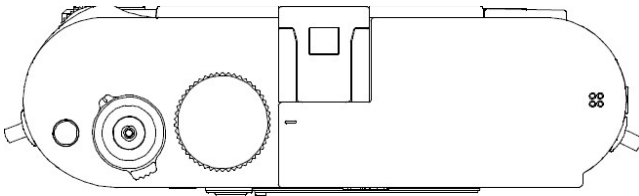
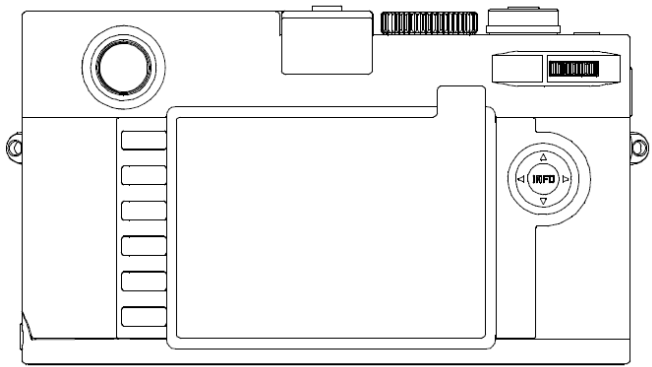
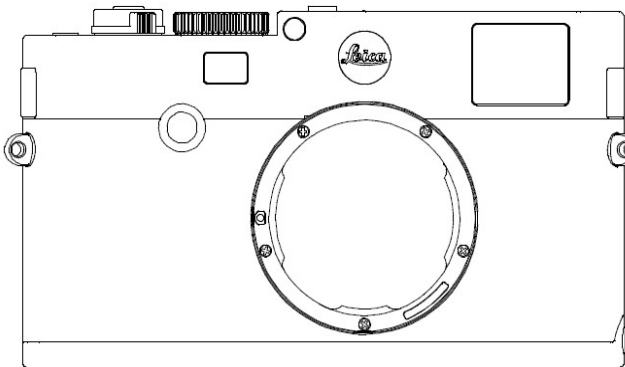
Battery function test conducted SD Card formatted Latest firmware installed

Reset to factory settings performed: Yes Not applicable

Signs of use: Slight Normal Heavy

Additional Information:

Please mark location of damage that is not considered a sign of use (dents, deeper scratches etc.) To be used for all products incl. S/SL.



I hereby confirm the condition of my product as described in this document (to be signed by customer)

City, Date:

Signature: