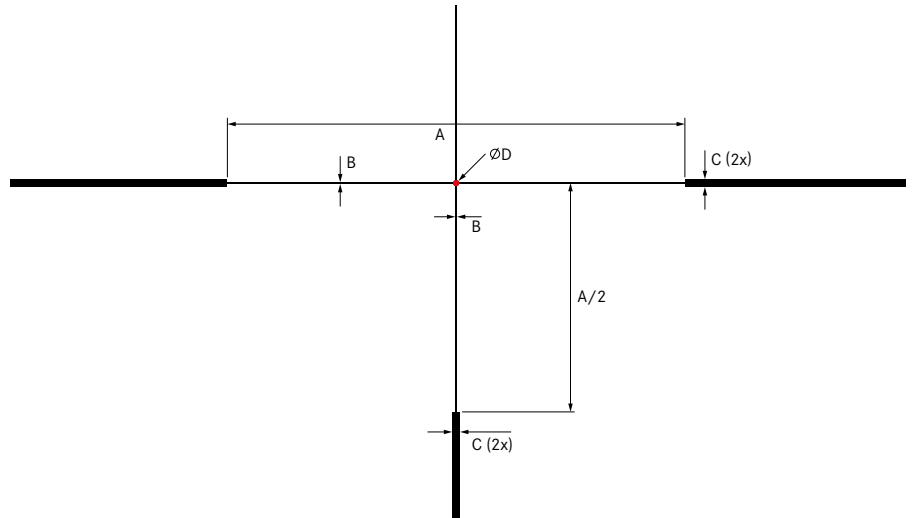
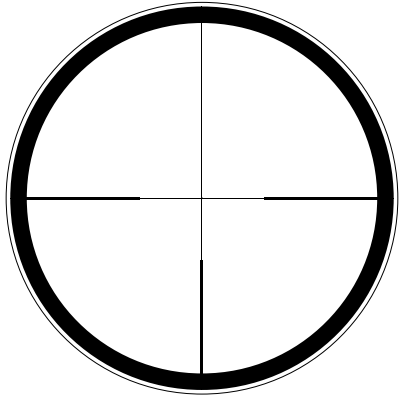




# LEICA **AMPLUS 6** | RETICLE L-4a

Reticles and subtensions.



Reticle L-4a	Amplus 6	cm / 100 m	MIL	cm / 100 m	MoA	inch / 100 yds
Magnification	1 – 6x	10x	maximum	maximum	maximum	10x
Bar opening	A	140.0	24.0	240.0	82.76	50.40
Bar opening	A/2	70.0	12.0	120.0	41.38	25.20
Line thickness	B	0.8	0.14	1.4	0.48	0.29
Bar thickness	C	4.0	0.7	7.0	2.41	1.44
Illuminated Dot (Diameter)	D	0.6	0.1	1.0	0.34	0.22

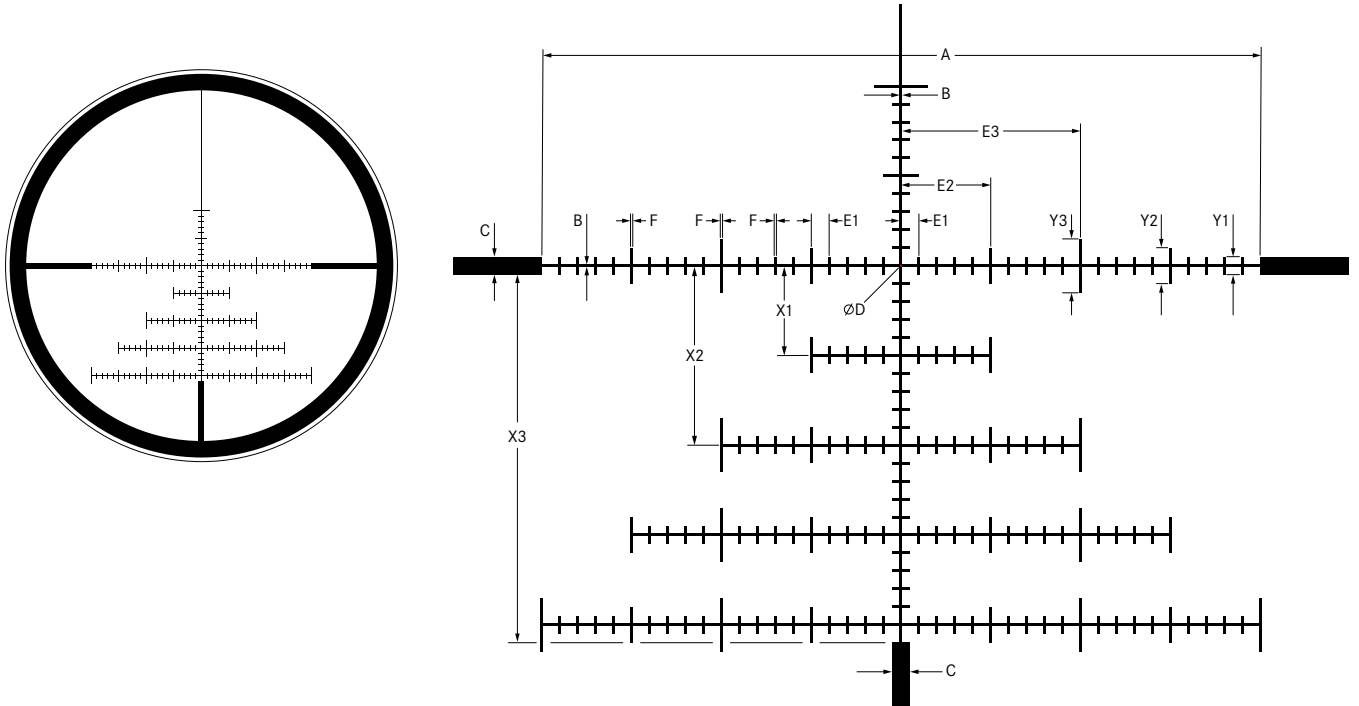
Reticle L-4a	Amplus 6	cm / 100 m	MIL	cm / 100 m	MoA	inch / 100 yds
Magnification	2.5 – 15x	10x	maximum	maximum	maximum	10x
Bar opening	A	142.5	9.5	95.0	32.76	51.30
Bar opening	A/2	70.5	4.7	47.0	16.21	25.38
Line thickness	B	0.9	0.06	0.6	0.21	0.32
Bar thickness	C	4.0	0.27	2.7	0.93	1.44
Illuminated Dot (Diameter)	D	0.6	0.04	0.4	0.14	0.22

Continued on page 2



# LEICA **AMPLUS 6** | RETICLE L-BALLISTIC MoA

Reticles and subtensions.



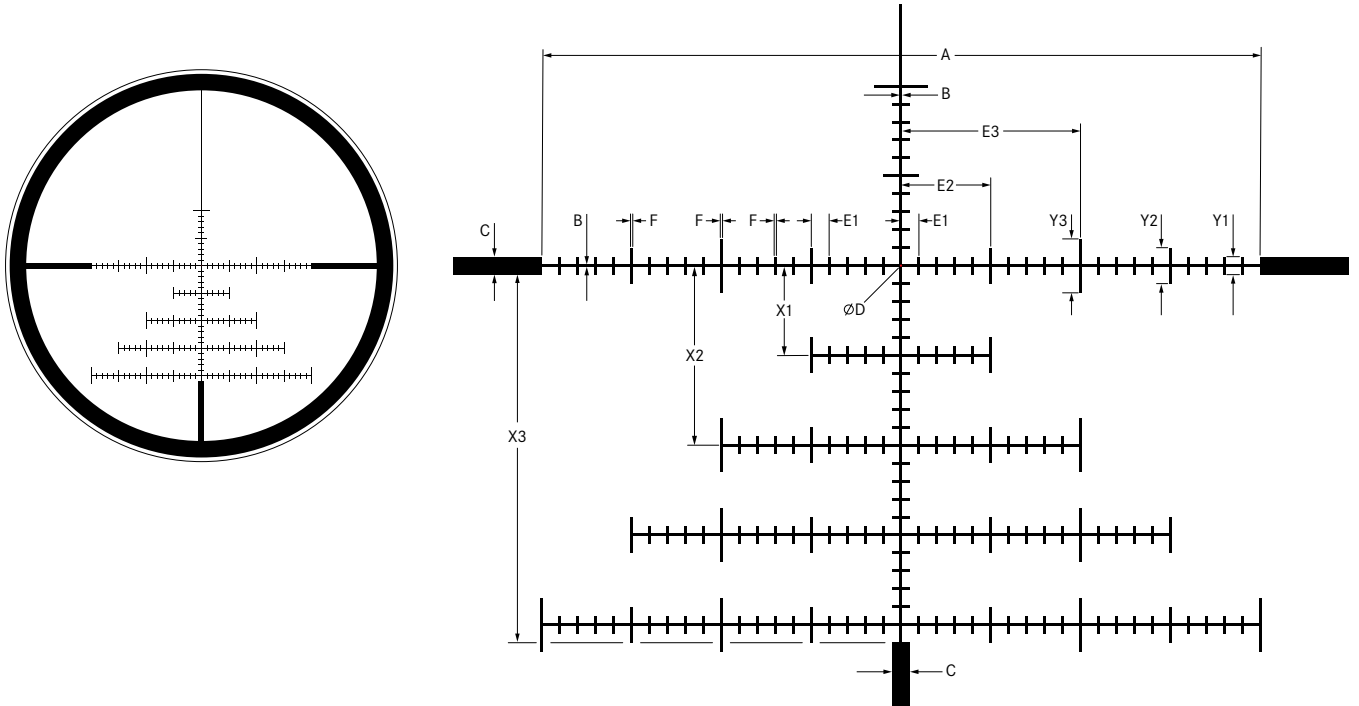
Reticle L-Ballistic MoA	Amplus 6	cm / 100 m	MIL	cm / 100 m	MoA	inch / 100yds
Magnification	2.5 - 15 x	10 x	maximum	maximum	maximum	10 x
Bar opening	A	174.0	11.60	116.0	40.0	62.64
Line thickness	B	0.6	0.04	0.4	0.125	0.22
Bar thickness	C	4.35	0.29	2.9	1.0	1.57
Illuminated Dot (Diameter)	D	0.6	0.04	0.4	0.125	0.22
Line opening	E1	4.35	0.29	2.9	1.0	1.57
Line opening	E2	21.75	1.45	14.5	5.0	7.83
Line opening	E3	43.5	2.90	29.0	10.0	15.66
Line thickness	F	0.6	0.04	0.4	0.125	0.22
Line height	Y1	4.35	0.29	2.9	1.0	1.57
Line height	Y2	8.7	0.58	5.8	2.0	3.13
Line height	Y3	13.05	0.87	8.7	3.0	4.70
Line opening	X1	21.75	1.45	14.5	5.0	7.83
Line opening	X2	43.5	2.90	29.0	10.0	15.66
Line opening	X3	91.35	6.09	60.9	21.0	32.89

Continued on page 3



# LEICA **AMPLUS 6** | RETICLE L-BALLISTIC MoA

Reticles and subtensions.



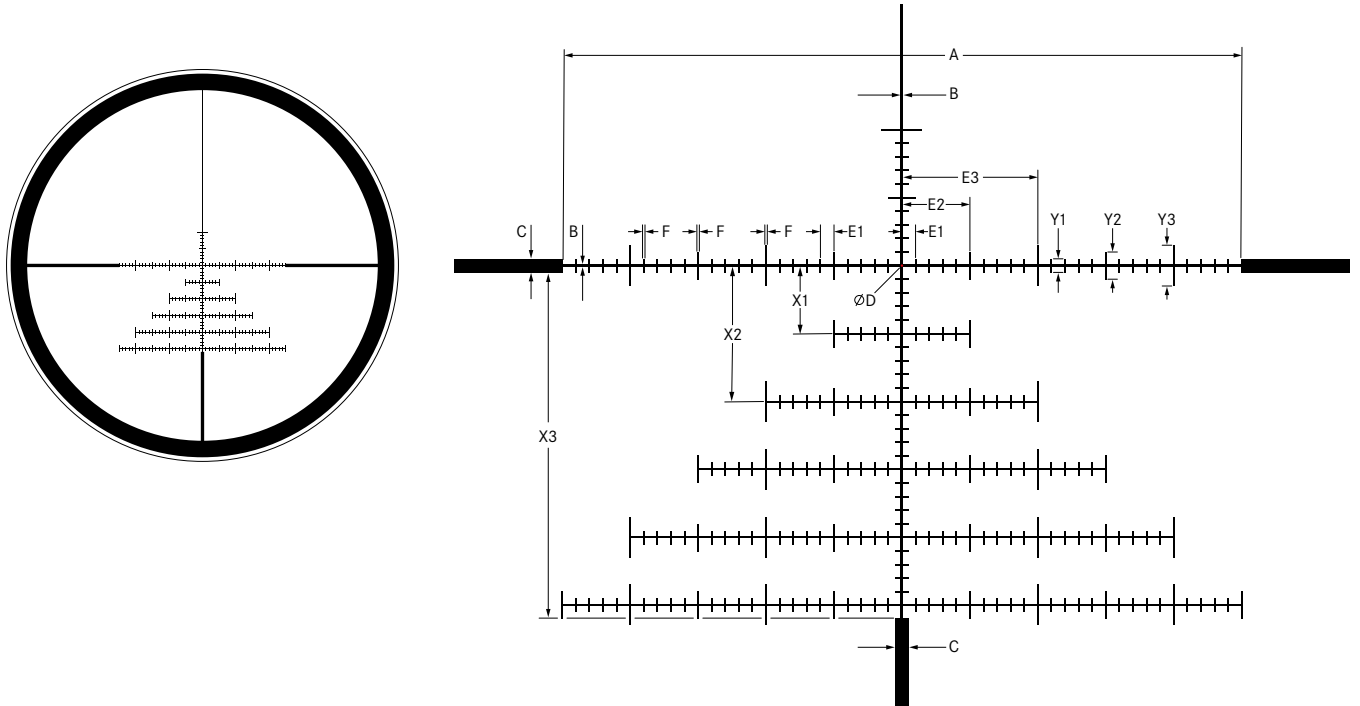
Reticle L-Ballistic MoA	Amplus 6	cm / 100 m	MIL	cm / 100 m	MoA	inch / 100yds
Magnification	3-18 x	10 x	maximum	maximum	maximum	10 x
Bar opening	A	209.0	11.60	116.0	40.0	75.24
Line thickness	B	0.7	0.04	0.4	0.125	0.26
Bar thickness	C	5.2	0.29	2.9	1.0	1.88
Illuminated Dot (Diameter)	D	0.7	0.04	0.4	0.125	0.26
Line opening	E1	5.2	0.29	2.9	1.0	1.88
Line opening	E2	26.1	1.45	14.5	5.0	9.41
Line opening	E3	52.3	2.90	29.0	10.0	18.81
Line thickness	F	0.7	0.04	0.4	0.125	0.26
Line height	Y1	5.2	0.29	2.9	1.0	1.88
Line height	Y2	10.5	0.58	5.8	2.0	3.76
Line height	Y3	15.7	0.87	8.7	3.0	5.64
Line opening	X1	26.1	1.45	14.5	5.0	9.41
Line opening	X2	52.3	2.90	29.0	10.0	18.81
Line opening	X3	109.7	6.09	60.9	21.0	39.50

Continued on page 4



# LEICA **AMPLUS 6** | RETICLE L-BALLISTIC MIL

Reticles and subtensions.



Reticle L-Ballistic MIL	Amplus 6	cm / 100 m	MIL	cm / 100 m	MoA	inch / 100 yds
Magnification	2.5 - 15 x	10 x	maximum	maximum	maximum	10 x
Bar opening	A	150.0	10.0	100.0	34.48	54.00
Line thickness	B	0.4	0.025	0.25	0.09	0.14
Bar thickness	C	3.0	0.2	2.0	0.69	1.08
Illuminated Dot (Diameter)	D	0.6	0.04	0.4	0.14	0.22
Line opening	E1	3.0	0.2	2.0	0.69	1.08
Line opening	E2	15.0	1.0	10.0	3.45	5.40
Line opening	E3	30.0	2.0	20.0	6.90	10.80
Line thickness	F	0.4	0.025	0.25	0.09	0.14
Line height	Y1	3.0	0.2	2.0	0.69	1.08
Line height	Y2	6.0	0.4	4.0	1.38	2.16
Line height	Y3	9.0	0.6	6.0	2.07	3.24
Line opening	X1	15.0	1.0	10.0	3.45	5.40
Line opening	X2	30.0	2.0	20.0	6.90	10.80
Line opening	X3	78.0	5.2	52.0	17.93	28.08