



PRS

INSTRUCTION MANUAL

FOREWORD

Dear customer,
we wish you a great deal of enjoyment and every success with your new Leica rifle scope.
Please read this manual to familiarize yourself with the full scope of functions your rifle scope has to offer.
Please use this product only as described in this manual. Only then can safe and easy operation be guaranteed.

SCOPE OF DELIVERY

Note

The actual scope of delivery may vary depending on model. The standard scope of delivery contains the following:

- Rifle scope
- 1 lithium coin battery (CR 2032)
- Test certificate
- Safety information
- Product information Tenebraex
- Allen key - Throw Lever
- Lens hood
- Lens cleaning cloth
- Allen key - Zero-Stop
(Lateral adjustment turret)

REPLACEMENT PARTS/ ACCESSORIES

Contact Leica Customer Care or your specialist Leica retailer for details on the latest spare parts/accessory range:

en.leica-camera.com/Contact

Please read the chapters “Warnings” and “Important Information” before using the product for the first time. Knowledge of the content will prevent inadvertent damage to the product, possible injuries and other risks.

LEGAL INFORMATION

REGULATORY INFORMATION

You will find the manufacturing date of your product on the stickers on the packaging. The date format is year/month/day.

DISPOSAL OF ELECTRICAL AND ELECTRONIC EQUIPMENT

(Applies within the EU and for other European countries with active waste separation policies.)



This device contains electric and/or electronic components which must not be disposed of in general household waste! Instead, it should be disposed of at a recycling collection point provided by your local authority.

This service is free of charge. Any standard or rechargeable batteries used in this device must be removed and disposed of separately in accordance with local regulations.

Please contact your local authorities, waste disposal collection point or the retailer, from whom you purchased the device for more information on correct waste disposal.

WARNING NOTES

- Make sure that the weapon is not loaded before working on the rifle scope.
 - The rifle scope should be mounted with the eye relief distance provided to prevent injury to the brow from the recoil of the eyepiece (see technical information for measurements).
 - Make sure that the weapon is not loaded before changing the battery.
 - Only the battery type stated in this manual must be used. Any improper use of this battery or the use of unapproved battery types may result in an explosion!
 - Do not expose the battery to sunlight, heat, humidity or moisture for prolonged periods of time. It must not be placed in a microwave oven or a high-pressure container as this would pose a fire or explosion hazard!
 - Never dispose of batteries in fire and never attempt to heat, recharge, dismantle or break open a battery.
- Batteries must always be stored out of the reach of children. Do not leave batteries lying around, as they could be swallowed by children or pets.

IMPORTANT INFORMATION

- Protect the rifle scope against any kind of shocks that are not caused by the weapon.
- Damaged sealing rings must be replaced.
- Do not attempt to take the device apart yourself. Repairs must only be carried out in authorized workshops.
- Make a note of the serial number of your rifle scope, as this information will be extremely important in case of loss.
- Depleted batteries must never be disposed of in household waste as they contain toxic materials that are harmful to the environment. Battery collection points are provided at most large retail outlets; alternatively, you can dispose of old batteries at a local special waste collection point to ensure correct recycling.
- Remove the battery from the housing if you will not be using the product for an extended period of time.
- Do not use excessive force when making adjustments via the setting turrets.

WARRANTY

With this Leica rifle scope, you have acquired a world-renowned brand product. In addition to your statutory warranty rights with regards to the seller, Leica Camera AG offers a 10-year warranty for the optics and housing of this Leica rifle scope, as well as a 2-year warranty for the electronics as stated in the conditions below. The Leica warranty does not impact on any statutory consumer rights in accordance with relevant national law or any consumer rights vis-a-vis the retailer arising from the purchase contract concluded between them.

WARRANTY CONDITIONS

By purchasing this Leica accessory, you have acquired a product that is manufactured in compliance with special quality standards, and which was thoroughly tested at each individual production step by experienced specialists. Our ten-year warranty for this product commences on the date of sale by an authorized retailer under the following conditions:

1. In case of a complaint due to a manufacturing fault, we will assume all material costs during the warranty period. We will additionally cover all required labor costs during the first five years. We shall decide at our own discretion to repair the faulty product, to replace faulty parts or to replace the entire product with a faultless product of the same type. All other claims of any kind and on whatever legal basis shall not be accepted in connection with this warranty.
2. Wear parts like eyecups, leather details, armoring, carry straps and accessories are exempt from the warranty. The same applies for surface damage.
3. Any warranty claims become void if the defect in question is a result of improper handling – which also includes the use of third-party accessories – or if the product was manipulated by unauthorized persons or workshops or if the serial number of the product was rendered illegible.
4. Warranty claims can be submitted only in conjunction with the original proof of purchase – complete with the date of purchase, as well as the address and signature of an authorized retailer.
5. In case of a warranty claim, please send the Leica rifle scope, the original proof of purchase and a description of the fault to Leica Camera AG Customer Care or a Leica regional subsidiary.

PICK-UP SERVICE FOR REPAIR SUBMISSIONS (Applies for EU only)

We will organize the shipping of your device to our Customer Care department if you should notice a problem with your device during the warranty period. Please contact our service hotline to make the necessary arrangements (+49 (0)6441 2080 189). Our pick-up service will collect your Leica product at the agreed time from your premises free of charge and transport it to our Customer Care location for evaluation.

Contact:

en.leica-camera.com/Contact

TABLE OF CONTENT

FOREWORD	2	ADJUSTING THE POINT OF IMPACT	15
SCOPE OF DELIVERY	2	ZEROING THE TURRET SCALES	16
REPLACEMENT PARTS/ACCESSORIES	3	PARALLAX COMPENSATION.....	17
LEGAL INFORMATION	4	SETTING THE ZERO STOP	18
WARNING NOTES.....	5	LEICA BALLISTIC CALCULATOR.....	20
IMPORTANT INFORMATION	6	CARE/CLEANING	21
WARRANTY.....	6	LEICA HUNTING APP	22
TABLE OF CONTENT	8	INFO: TYPES OF LUMINOUS RETICLE.....	23
PART DESIGNATIONS	10	TECHNICAL DATA.....	24
PREPARATION	12	LEICA CUSTOMER CARE.....	26
INSERTING/CHANGING THE BATTERY	12		
MOUNTING.....	12		
USE	13		
SETTING THE ENLARGEMENT	13		
DIOPTR SETTINGS	13		
SETTING THE LUMINOUS RETICLE	14		

Definition of the various categories of information found in this manual

Note

Additional Information

Important

Non-compliance may result in damage to the device and accessories

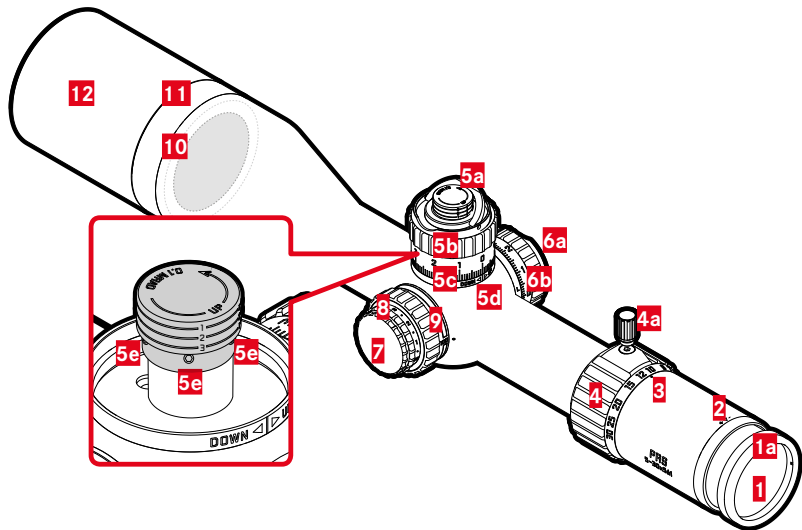
Attention

Non-compliance may result in personal injury

Warning

Non-compliance may result in serious injury or death

PART DESIGNATIONS



- 1** Eyepiece
 - a** Eyecups (rotating)
- 2** Index for diopter setting
- 3** Index for magnification setting
- 4** Magnification adjustment ring
 - a** Throw Lever
- 5** Elevation adjustment turret
 - a** Locking toggle
 - b** Knurled wheel
 - c** Scale
 - d** Index
 - e** Attachment screws Zero-Stop (Dismantle knurled wheel)
- 6** Lateral adjustment turret
 - a** Locking toggle
 - b** Knurled wheel
- 7** Battery compartment cover
- 8** Illumination adjustment ring
- 9** Parallax compensation adjustment ring
- 10** Lens
- 11** Filter thread
- 12** Lens hood

Attention

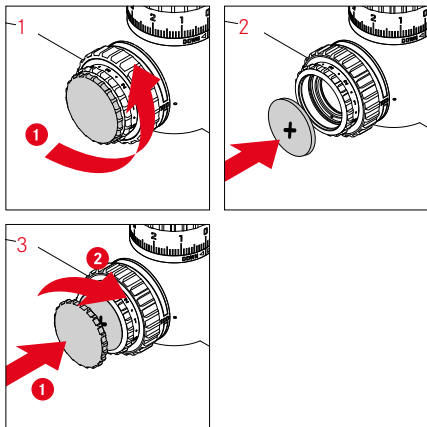
Never look directly at the sun or other bright sources of light through your Leica optics! Doing so may seriously damage your eyes!

Warning

Make sure the weapon is not loaded before doing any work or changing settings on the rifle scope and before changing batteries.

PREPARATION

INSERTING/CHANGING THE BATTERY



MOUNTING

The first prerequisite for a robust point of impact is the correct mounting of the rifle scope on the weapon. A wide selection of mounting parts are available from specialist retailers. We recommend using only high-quality parts from renowned manufacturers that match the quality characteristics of your Leica rifle scope.

You can mount the device yourself, but you will have to ensure a perfectly aligned and tension-free structure. Leica strongly recommends contracting a specialist workshop.

Important

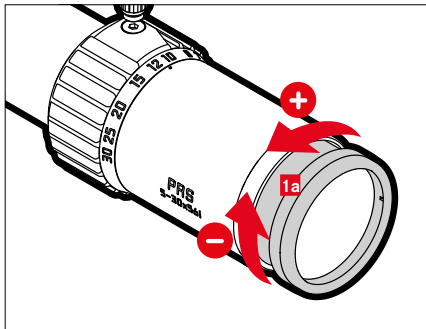
We recommend gluing the lower mounting ring to prevent any travel of the rifle scope within the ring mount.

USE

SETTING THE ENLARGEMENT

- ▶ Turn the magnification adjustment ring **4**
 - higher magnification = to the right
 - lower magnification = to the left

DIOPTER SETTINGS

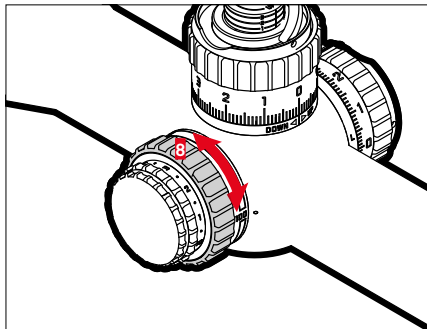


The viewfinder has a diopter setting function with a range between +1 and -3 diopter to allow glasses wearers the use of the Leica rifle scope without eyeglasses (diopter compensation).

- ▶ Aiming at a distant object
- ▶ Turn the eyecup **1a** until the object is perfectly in focus

SETTING THE LUMINOUS RETICLE

Reticle illumination is switched On or Off via the adjustment ring **8**. The brightness of the illuminated dot can be adjusted in multiple increments.



- ▶ Turn the setting wheel **8**
 - Level •: off
 - Level **1-5**: at night/twilight
 - Level **6-10**: in daylight

ADJUSTING THE POINT OF IMPACT

A calibration of the reticle to the weapon will be required in case of an offset of the point of impact. The procedure is the same on both setting turrets (elevation: **5**, page: **6**).



- Point of impact too high (downward correction required)
- ▶ Turn the knurled wheel **5b** in clockwise direction



- Point of impact too low (upward correction required)
- ▶ Turn the knurled wheel **5b** in anti-clockwise direction



- Point of impact too far right (correction to the left required)
- ▶ Turn the knurled wheel **6b** in clockwise direction



- Point of impact too far left (correction to the right required)
- ▶ Turn the knurled wheel **6b** in anti-clockwise direction

ZEROING THE TURRET SCALES

The procedure is the same on both setting turrets (elevation: **5**, page: **6**).

- ▶ Adjusting the point of impact (see p. 15)
- ▶ Flip the locking toggle **5a/6a** up and turn it in anti-clockwise direction to release the knurled wheel **5b/6b**
- ▶ Remove the knurled wheel **5b/6b** and replace it in the desired position
- ▶ Turn the locking toggle **5a/6a** in clockwise direction and re-tighten it to secure the setting

Note

Once you have done your adjustments on knurled wheels, you can get back to the basic setting for the firing distance after any change to the point of impact by simply going back to the **0** positions, without having to remember or note down anything.

PARALLAX COMPENSATION

Leica rifle scopes with a maximum magnification of 12x are adjusted parallax-free up to a range of 100 m, so that you can see the reticle and the target at the chosen distance in perfect focus concurrently.

Any deviations in the point of impact with the eye not perfectly centered are generally negligible.

With larger magnifications, however, these deviations must be taken into consideration. That is why rifle scopes with magnification ranges above 12x have parallax compensation.

- ▶ Turn the adjusting ring **9** until the image of the target appears in perfect focus
 - We recommend using the highest magnification for the most accurate settings.
 - An optimum adjustment is achieved when reticle and image no longer move relative to one another when you change the position of your eye over the eyepiece.

SETTING THE ZERO STOP

Zero Stop is a freely definable height adjustment stop, with which the adjustment range can be limited. It offers a palpable stop without having to take your eye off the lens. Zero Stop is deactivated ex works.

Accessing the Hex Key

- ▶ Flip the locking toggle of the lateral adjustment turret **6a** up and turn it in anti-clockwise direction to release the knurled wheel **6b**
- ▶ Pull the hex key out

Setting the Zero Stop

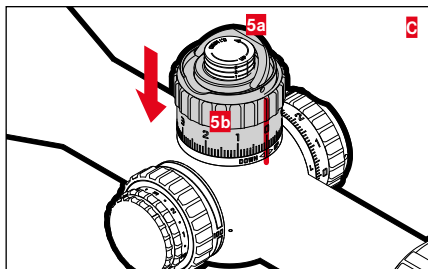
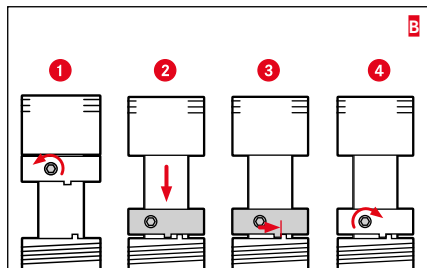
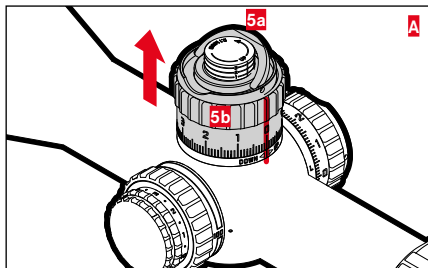
(Fig. **A–C**)

- ▶ Flip the locking toggle of the elevation adjustment turret **5a** up and turn it in anti-clockwise direction to release the knurled wheel **5b**
- ▶ Remove the knurled wheel
- ▶ Use the hex key to release the three attachment screws
- ▶ Push down the Zero Stop

- ▶ Turn in anti-clockwise direction to the stop
 - Make sure that the two cams fit seamlessly together.
- ▶ Use the hex key to tighten the three attachment screws
 - Don't use too much force!
- ▶ Replacing the knurled wheel
- ▶ Turn the locking toggle **5a** in clockwise direction and re-tighten it to secure the setting

Note

- Ensure that the three attachment screws are sufficiently tightened to prevent accidental changes to the setting. Don't use too much force!
- Don't forget to put the hex key back and to fix the lateral adjustment turret.



LEICA BALLISTIC CALCULATOR

We recommend using the Leica Ballistic Calculator to take full advantage of the reticle quick adjustment. Taking into account relevant parameters like firing distance, line of sight height, temperature and elevation, the Leica Ballistic Calculator can calculate the trajectory for virtually any ammunition.

The Ballistic Calculator can be found here:
ballistictool.leica-camera.com

LEICA BALLISTIK RECHNER

NEUE KONFIGURATION ERSTELLEN

DATENBANK-KONFIGURATION

Siehe zum angegebenen beliebigen Dateneintrag mehr Informationen im Handbuche.

Achtung:
Überprüfen Sie die tatsächliche Mündungsgeschwindigkeit oder den tatsächlichen Geschwindigkeitsverlauf Ihrer Waffe / Waffensysteme, wenn Sie besondere Funktionen für die entsprechenden Schussentfernungen erfordern.

Windrichtung	Windstärke	Temperatur
<input type="text" value="50"/> <small>m/s</small>	<input type="text" value="0"/> <small>m/s</small>	<input type="text" value="15"/> <small>°C</small>
Fluchtwinkel	Restenergie Luftdruck	
<input type="text" value="100"/> <small>m</small>	<input type="text" value="1013.25"/> <small>mbar</small>	

Der einzugebende Dezimaltrennzeichen (Punkt oder Komma) hängt von Ihrem Heimat-Standard und Land ab. Meistens wird der Punkt "." als Dezimaltrennzeichen akzeptiert. Die korrekte Eingabe wird durch einen kleinen Rahmen des Eingabefeldes angezeigt. Ansonsten wird ein rotes Rahmen angezeigt.

CARE/CLEANING

- Your Leica rifle scope requires no special care. Coarse dirt particles like sand should be removed with a soft brush or simply blown off. Fingerprints, etc. on objective lenses and eyepiece lenses can be pre-cleaned with a damp cloth, and then wiped dry with a clean leather or lint-free cloth.
- The rifle scope should be stored in a well-ventilated, dry and cool place to prevent fungal growth (particularly important in humid climates).
- Do not use alcohol or chemical cleaning solutions on the optics or housing.
- Do not use excessive force when cleaning a severely soiled lens surface. The coating is abrasion resistant, but not impervious to sand or salt crystals.
- The housing should be cleaned using a damp leather cloth only. Using a dry cloth may cause friction, which may result in a static discharge.

LEICA HUNTING APP

You can create and store your personal ballistics profiles with the Leica Hunting app. You will have to install the Leica Hunting app on a mobile device.

- ▶ Scan the following QR code with the mobile device

for iOS:



for Android:



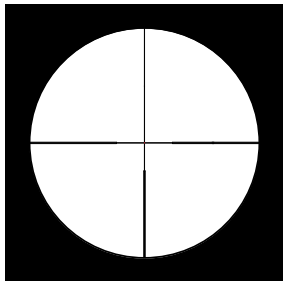
or

- ▶ The app is available from Apple App Store™/Google Play Store™

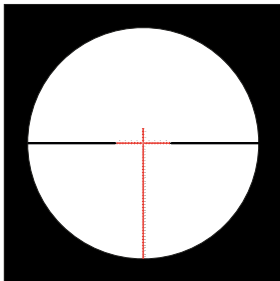
INFO: TYPES OF LUMINOUS RETICLE

Various types of luminous reticles are available.

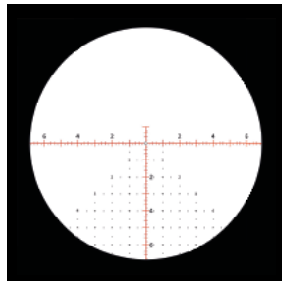
L-4A



Ballistic



PRB



Please visit the download section of the Leica homepage for more information and technical details on the available luminous reticle types.

TECHNICAL DATA

	PRS 5-30x56i
Lens diameter	56 mm
Magnification	5 to 30x
Zoom ratio	6
Illuminated dot size (L-4a)	0.7 cm/100 m
Number of brightness levels	10
Eye relief	>90 mm
Light transmission	>90 %
Reticle image plane	First image level
Available reticles	L-4a, Ballistic, PRB
Lens coating	Aqua Dura®
Diopter compensation	+1/-3 dpt
Parallax-free	Setting range: 20 m to ∞
Center tube diameter	34 mm
Length	365 mm (without lens hood)
Weight	1030 g

	PRS 5-30x56i
Max. adjustment track elevation/lateral (cm/100 m)	320 x 180 cm
Impact point correction / click (cm/100 m)	1 cm (0.1 mil / 0.1 mrad)
Filter thread on lens side	M62 x 0.6 mm
Impermeability (nitrogen-filled)	4 m water depth
Reticle lighting	Depending on type: Point/scale
Automatic switch-off	4 h
Power supply	CR2032 - lithium coin battery, nominal voltage 3 V, capacity: 230 mAh

Subject to changes in design and model features.

LEICA CUSTOMER CARE

Please contact Leica Camera AG Customer Care for the maintenance of your Leica equipment and for help and advice regarding Leica products and how to order them. You can also contact Customer Care or the repair service of your regional Leica subsidiary directly for repairs or warranty claims.

Leica Camera AG

Leica Customer Care
Am Leitz-Park 5
35578 Wetzlar
Germany

Phone: +49 (0)6441 2080-189

Fax: +49 (0)6441 2080-339

Email: customer.care@leica-camera.com

www.leica-camera.com