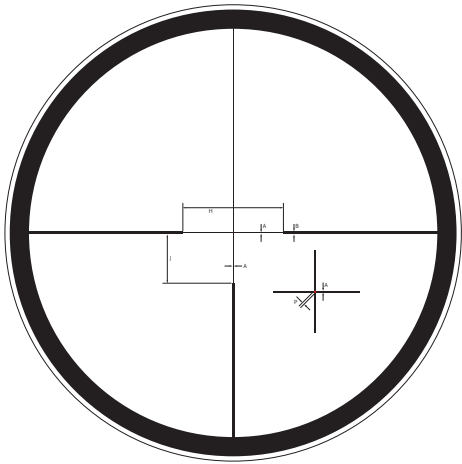




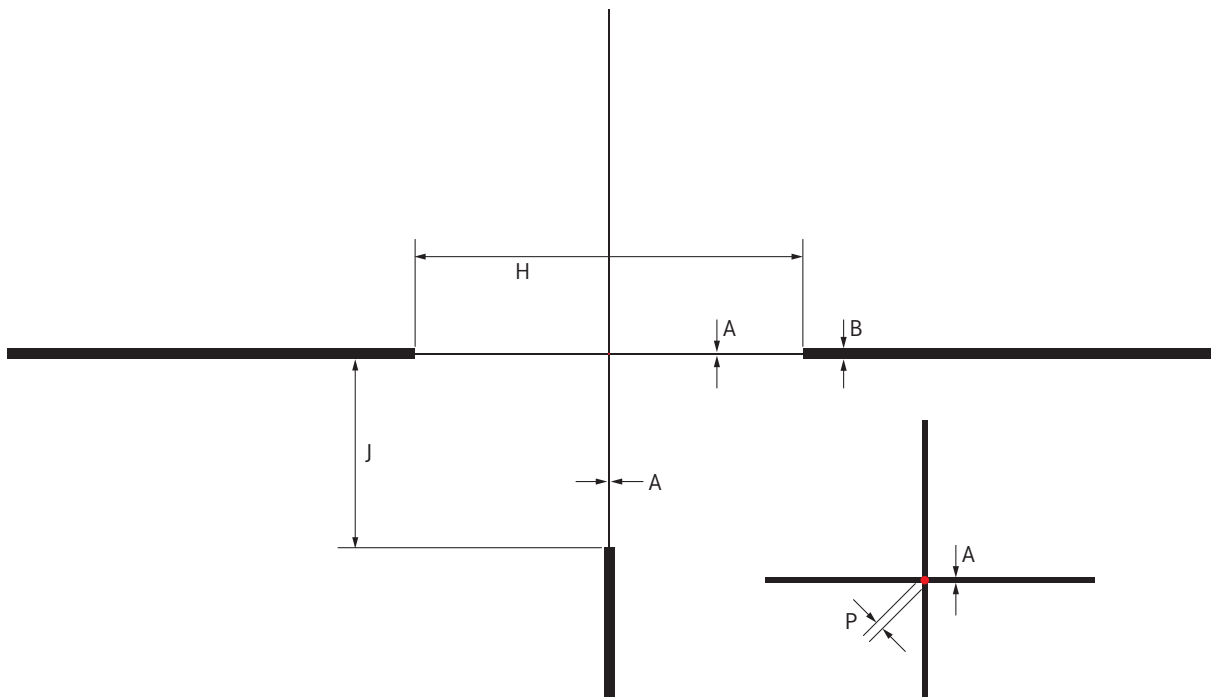
LEICA PRS 5-30x56 i

Reticles and sub-tensions



Reticle L-4a

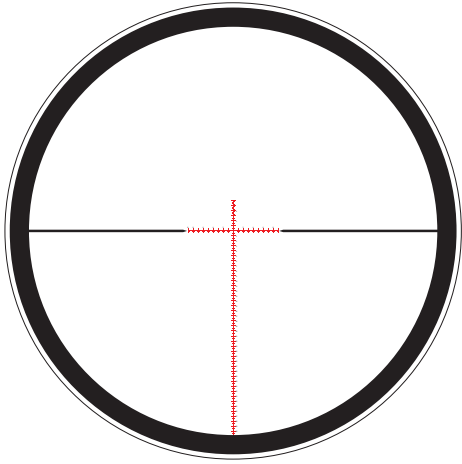
Table with dimensions on page 7





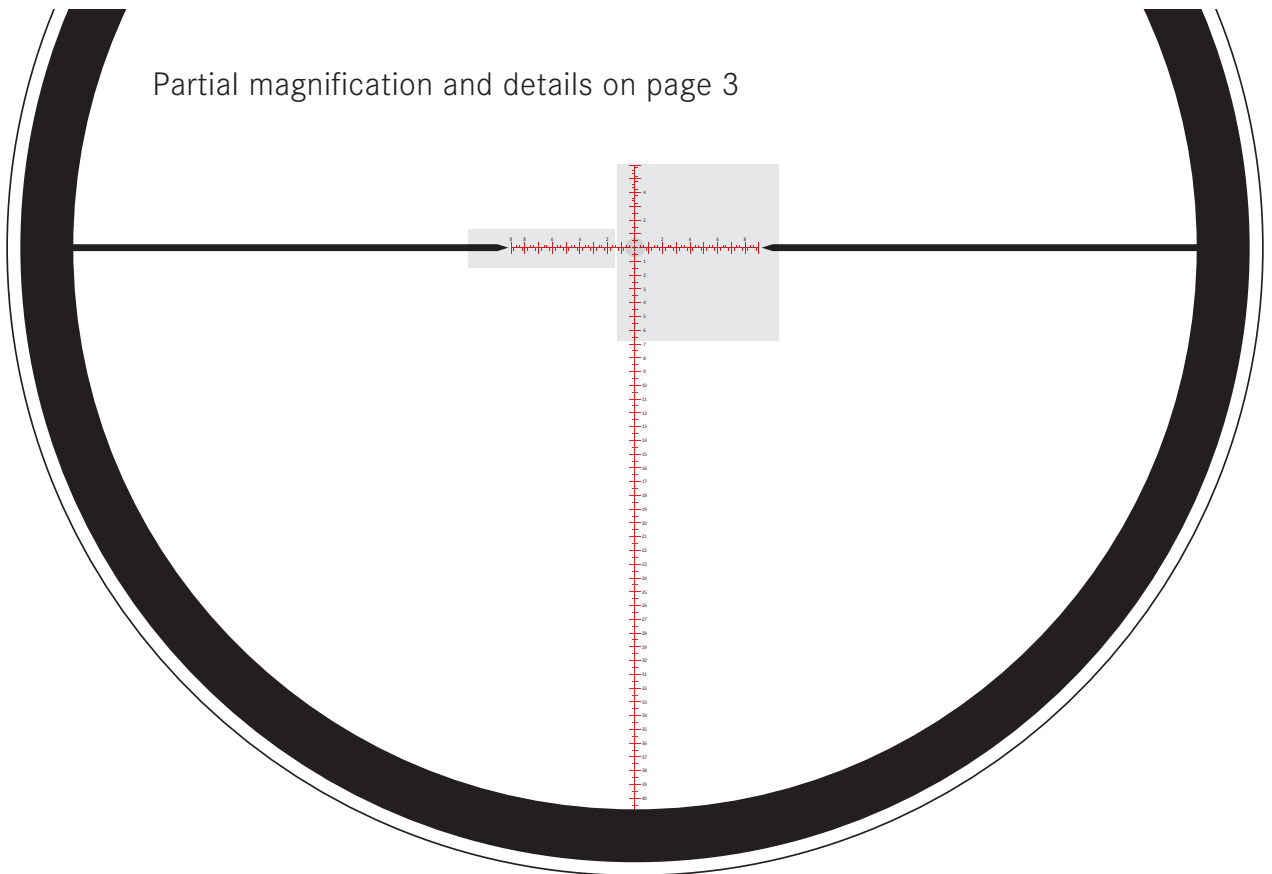
LEICA PRS 5 - 30x56 i

Reticles and sub-tensions



Reticle Ballistic

Table with dimensions on page 7

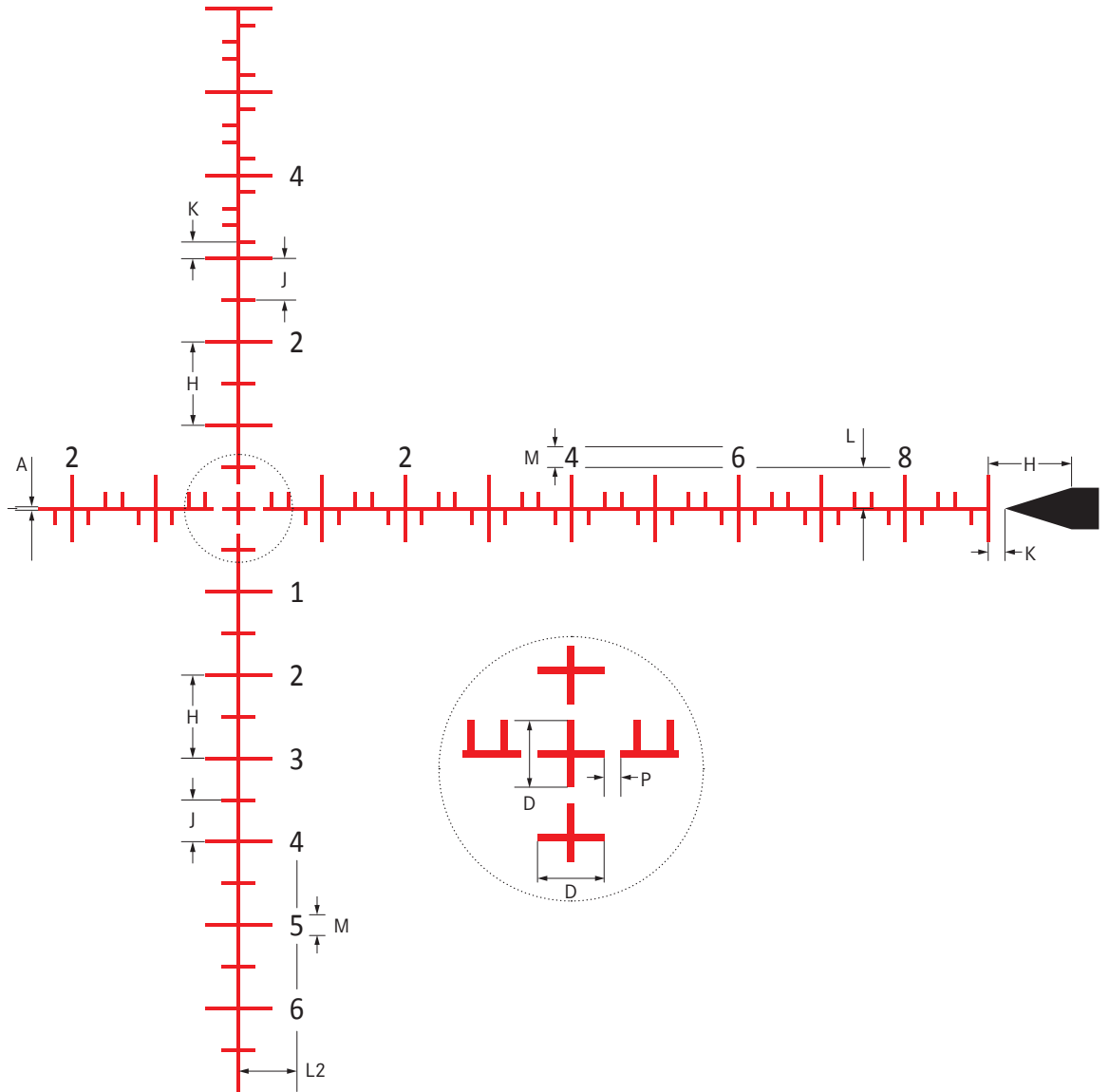
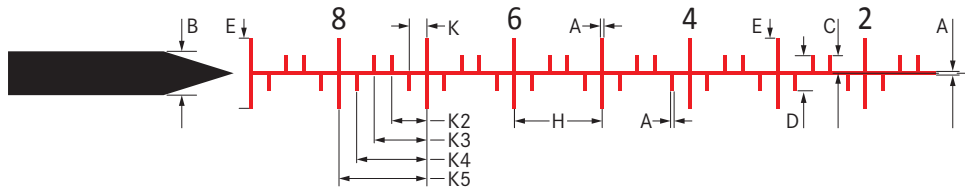


Partial magnification and details on page 3



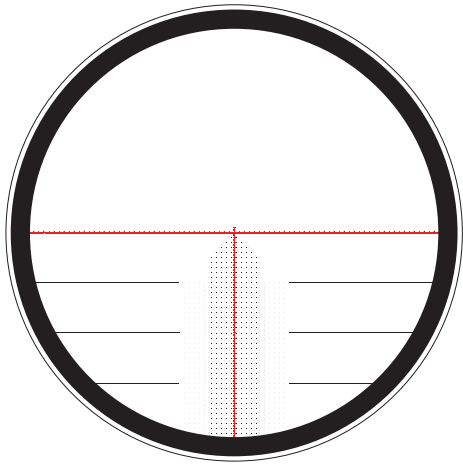
LEICA PRS 5-30x56 i

Reticle Ballistic details



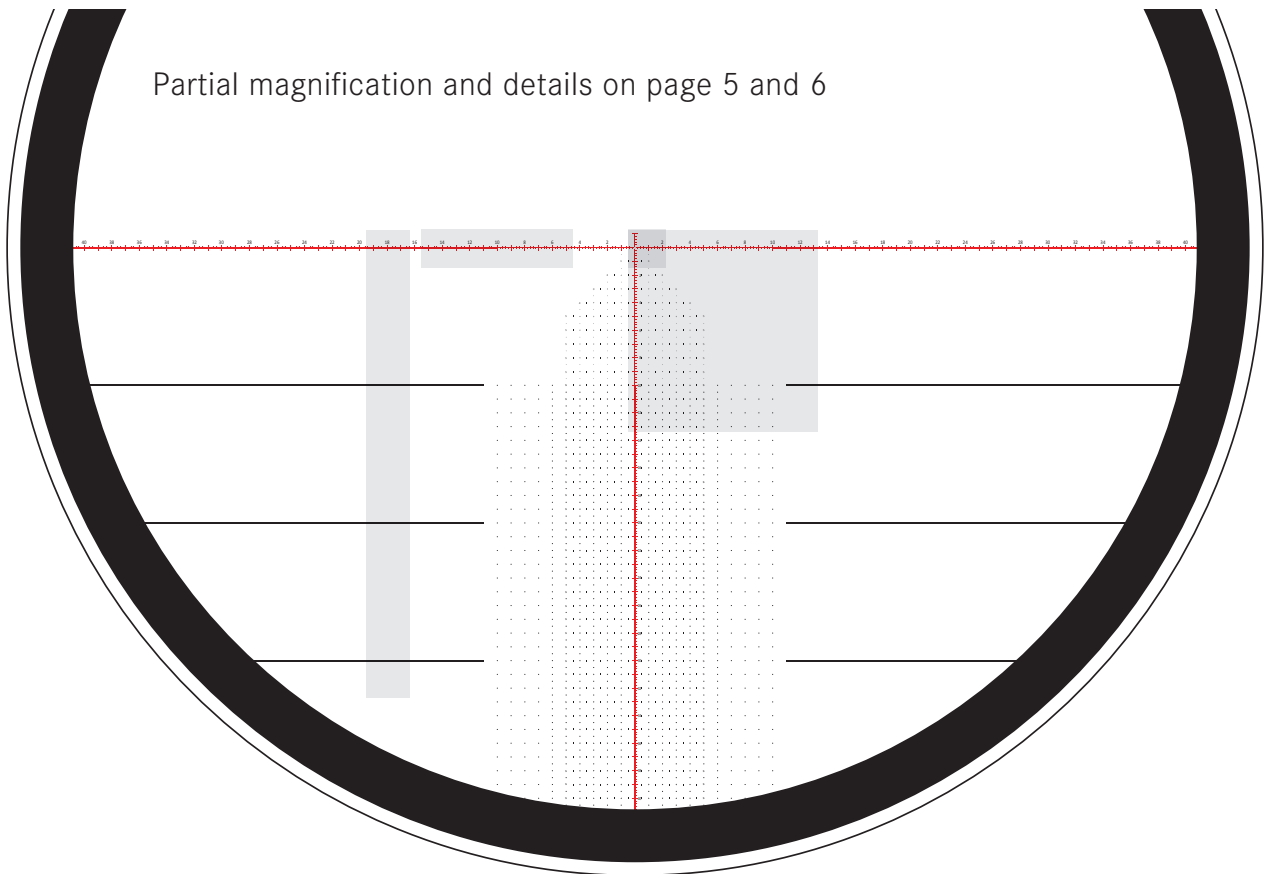


LEICA PRS 5-30x56 i



Reticle PRB

Table with dimensions on page 7

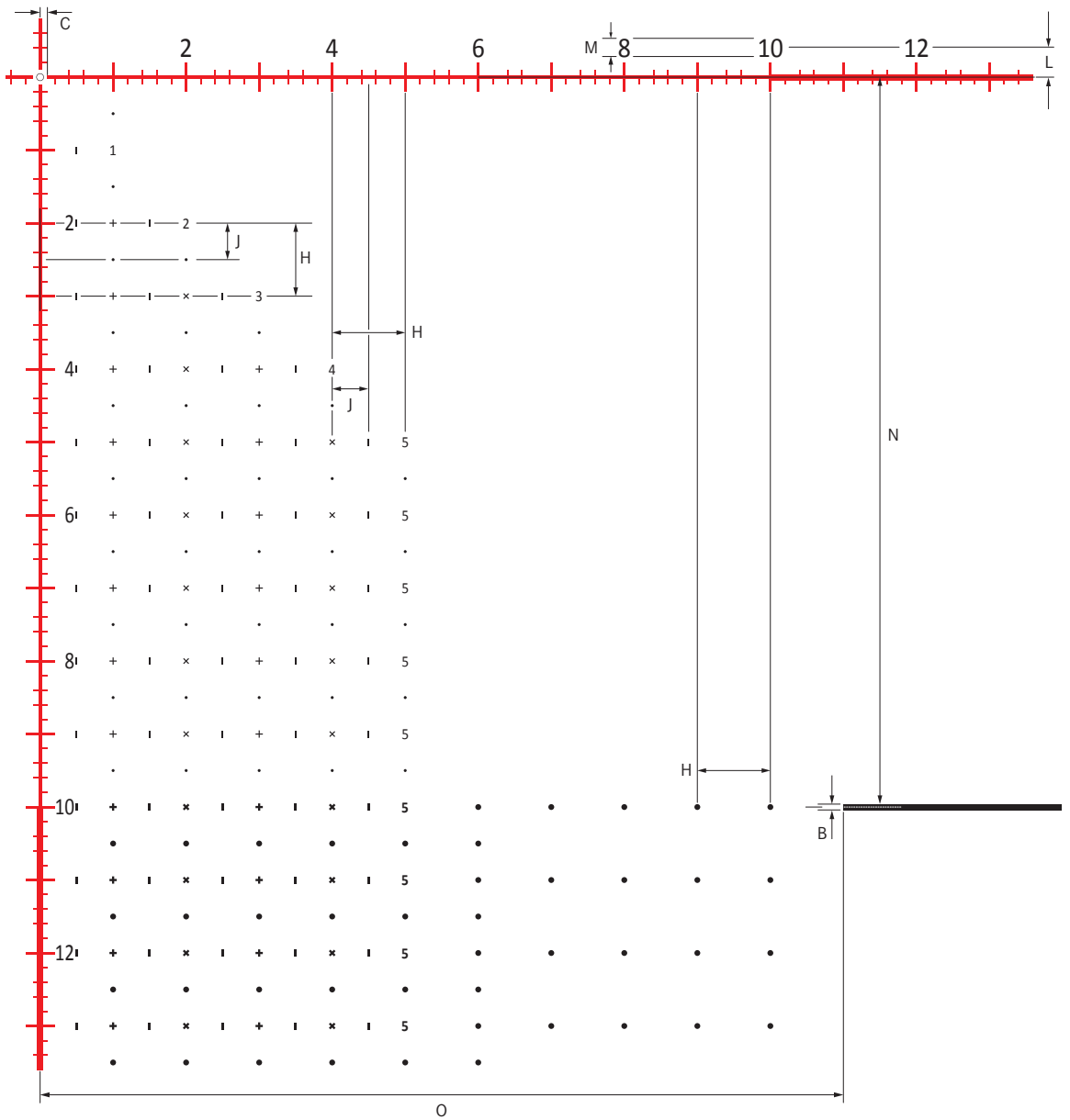
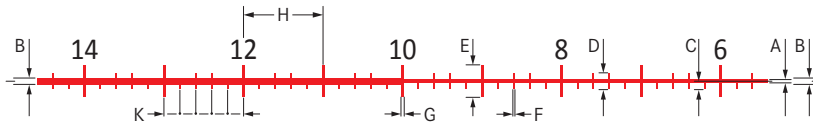


Partial magnification and details on page 5 and 6



LEICA PRS 5-30x56 i

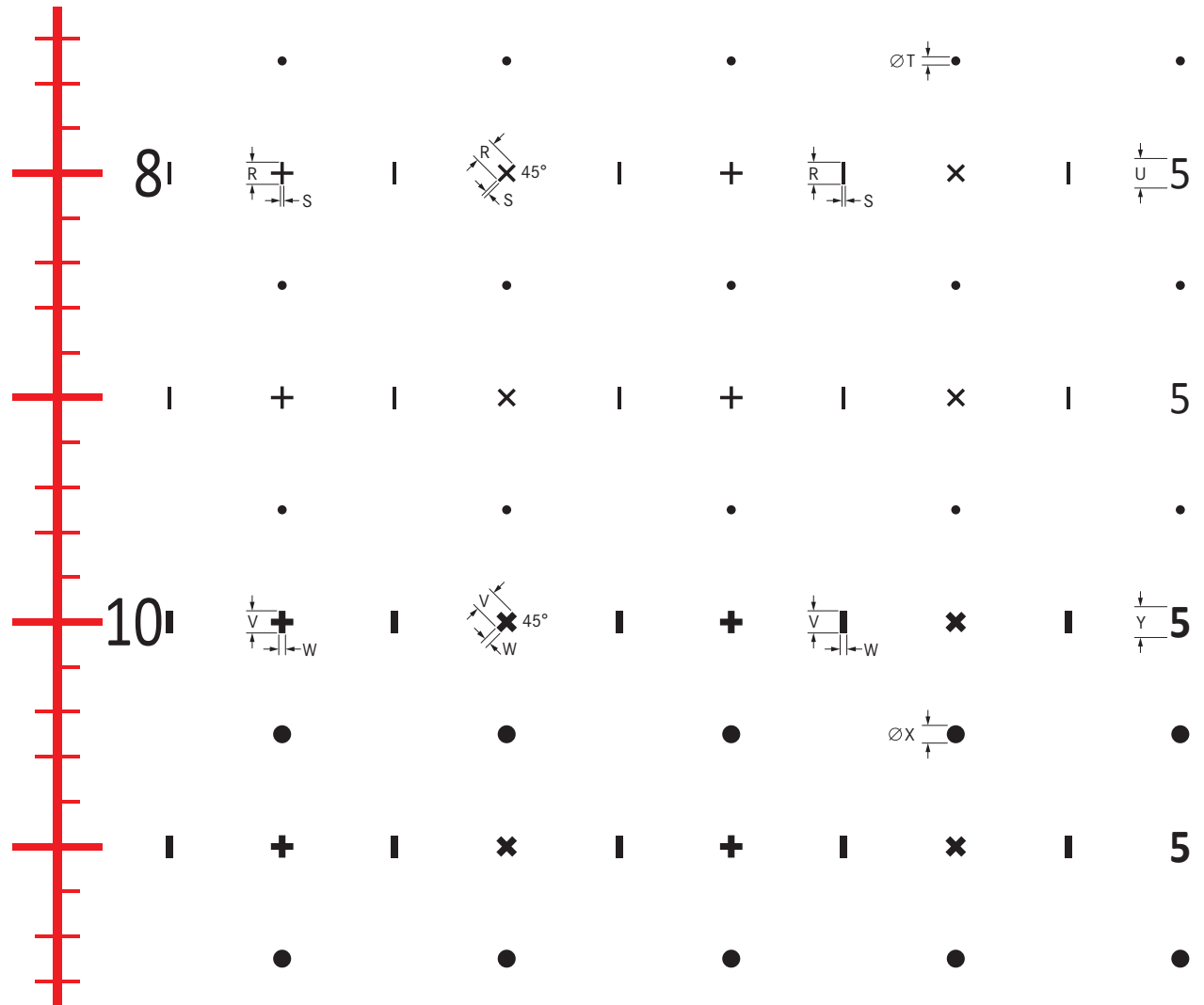
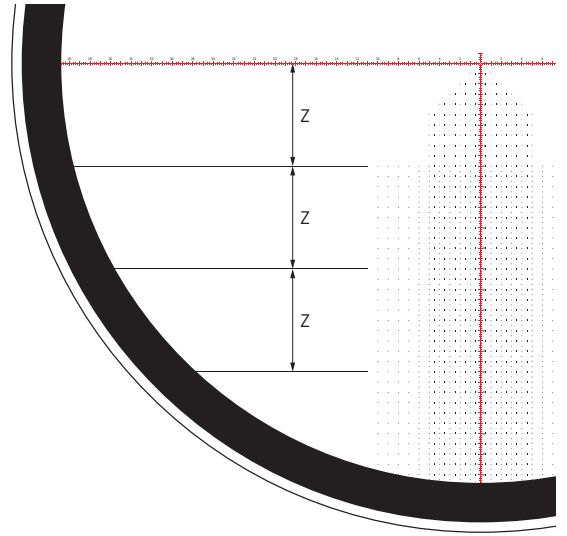
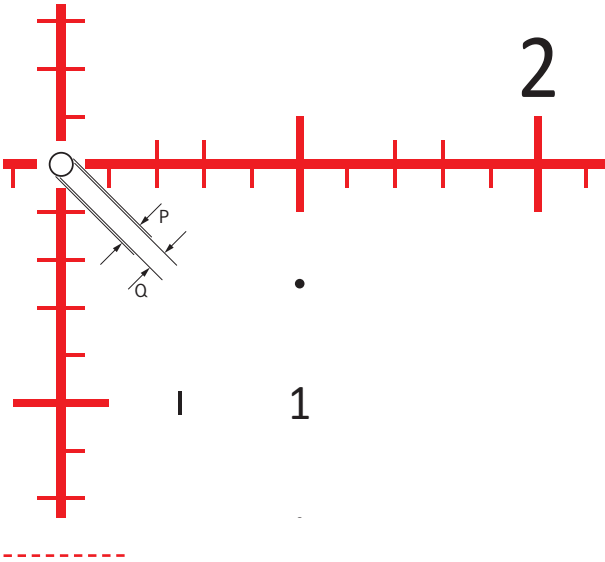
Reticle PRB details





LEICA PRS 5-30x56 i

Reticle PRB details





LEICA PRS 5 - 30x56 i

Sub-tension in cm/100 m

Riflescope		LEICA PRS 5-30x56 i		
Reticle		L-4a	Ballistik	PRB
Hair sub-tension	A	0.50	0.4	0.4
Bar sub-tension	B	5.00	5.0	0.8
Bar thickness	C	--	2.0	1.0
Hair distance	D	--	4.0	2.0
Hair distance	E	--	8.0	4.0
Hair sub-tension	F	--	--	0.15
Hair sub-tension	G	--	--	0.3
Hair sub-tension / Mark distance	H	200.00	10.0	10.0
Hair sub-tension / Mark distance	J	100.00	5.0	5.0
Bar distance	K	--	2.0	2.0
Bar distance	K2	--	4.0	--
Bar distance	K3	--	6.0	--
Bar distance	K4	--	8.0	--
Bar distance	K5	--	10.0	--
Type distance	L	--	5.0	4.0
Type distance	L2	--	7.0	--
Type height	M	--	2.5	2.5
Bar distance	N	--	--	100.0
Bar distance	O	--	--	110.0
Outer diameter	P	0.70	--	1.1
Inner diameter / space	Q	--	--	0.9
Mark height	R	--	--	1.0
Mark sub-tension	S	--	--	0.15
Mark diameter (dot)	T	--	--	0.4
Type height	U	--	--	1.5
Mark height	V	--	--	1.0
Mark sub-tension	W	--	--	0.3
Mark diameter (dot)	X	--	--	0.8
Type height	Y	--	--	3.0
Bar distance	Z	--	--	100.0

All dimensions in centimetres per 100 metres (cm/100m)