



## **LEICA CINE 1**

The Art of  
Home Cinema.



# LEICA CINE 1

The Art of Home Cinema.

## Big screen cinema for the home – the first Leica Cinema TV.

The finer details can turn a moment into a scene, a movie into an epic story, and a projection into an authentic home cinema experience. The Leica Cine 1 combines innovative technology, maximal connectivity and the highest level of engineering with one-of-a-kind image quality within a purist, iconic design. The Leica Cine 1 melts the borders between reality and fiction.

- 4K resolution
- Triple RGB laser
- Dolby Vision® and HDR10
- Leica Summicron lens
- Dolby Atmos® surround sound
- Energy efficient and eye-friendly
- VIDAA Smart TV
- Over 25,000 hours lifespan

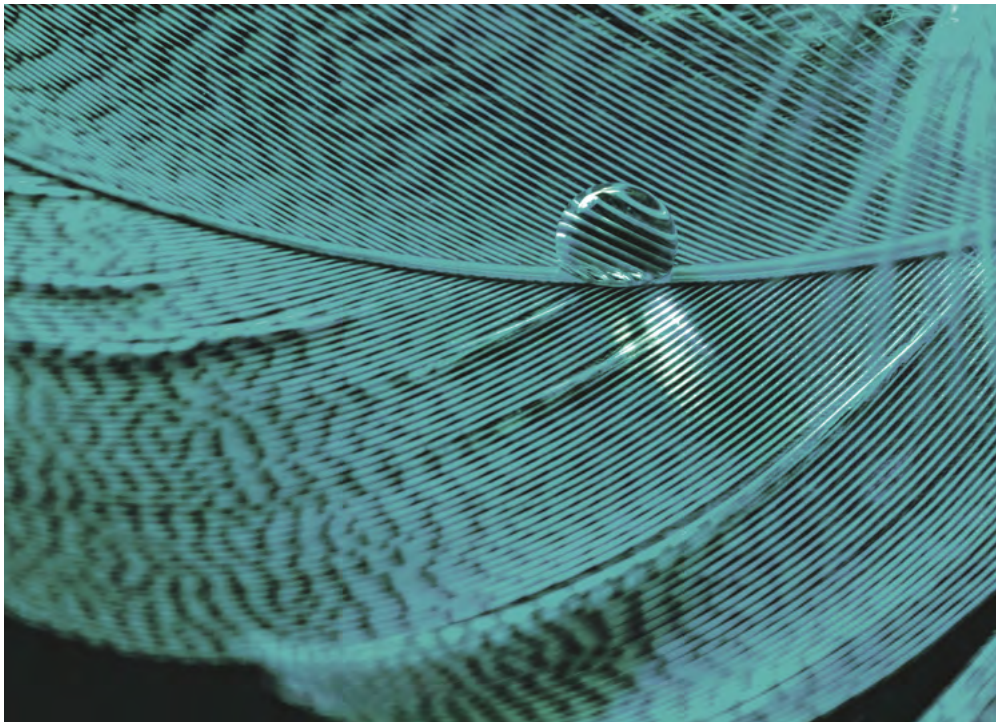




---

## ALL-IN-ONE- ENTERTAINMENT- SYSTEM

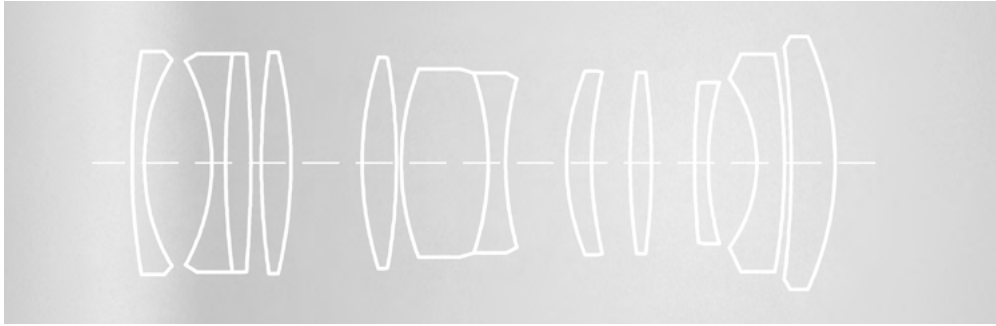
The intuitive Smart TV interface includes VIDAA voice control, integrated triple tuner, Apple AirPlay and direct access to all TV services and streaming platforms - the Leica Cine 1 offers all the state-of-the-art functions of a modern Smart TV and more. From TV programmes and gaming, to your own film library, play all the content you want in the best quality.



---

## **UNPARALLELED IMAGE QUALITY**

For the first time ever, experience cinematic masterpieces in the unique Leica image quality at a projection size of up to 120 inches, thanks to the Triple RGB laser, LIO™ (Leica Image Optimization) and the Leica Summicron lens.



---

## CRYSTAL CLEAR SOUND

The integrated Dolby Atmos® surround system completes the home cinema experience with superior sound. In combination with the detailed image quality of the Leica Summicron lens, the result is an intense film experience.

---

## EYE-FRIENDLY PROJECTION

Unlike a television, the Leica Cine 1 projects the light onto a screen and not directly towards the eyes. This effectively reduces the high-energy and particularly stressful component of blue light and prevents eyestrain.

---

## ENERGY EFFICIENT & SUSTAINABLE

The innovative Triple RGB laser features separate light sources for red, green and blue light and is maintenance-free, has a long life of over 25,000 hours and consumes less energy than conventional TVs of comparable size.



---

## ALR CANVASES & SCREENS

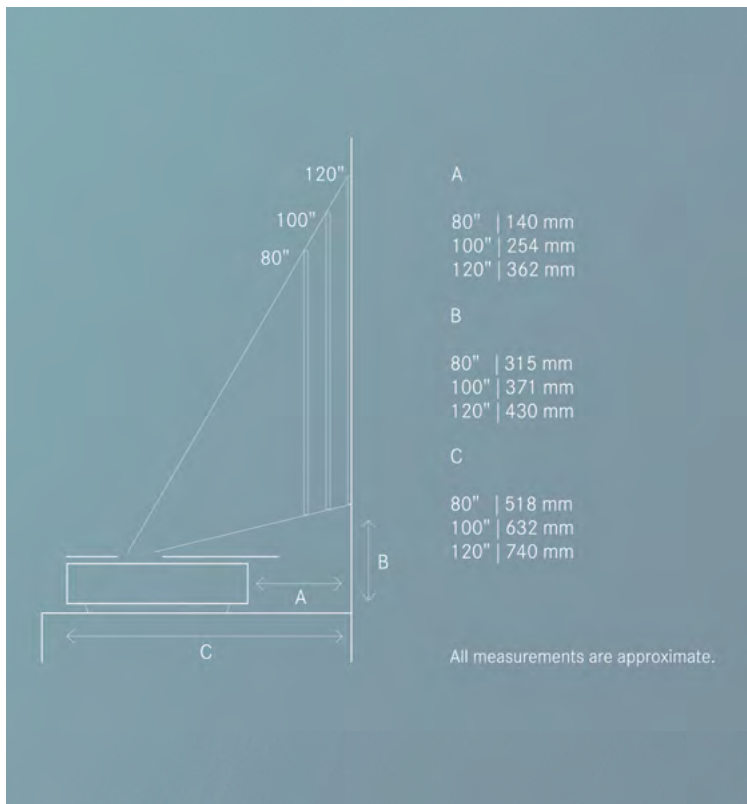
For the best possible projection, Leica recommends the wall-mounted high-contrast projection screens with ALR function (Ambient Light Rejection), which are specially adapted to the Leica Cine 1. The ALR function ensures that disturbing ambient light is blocked out and that the projected light is primarily directed towards the viewer. Those who prefer more flexibility can opt for motorised roll-up screens. These screens are ideal for installation in furniture.

More information on the different options is available from your Leica Store or your Leica dealer.



Leica Dealer Locator






---

## GREAT CINEMA – IN YOUR OWN LIVING ROOM

Eye-friendly, energy efficient and powerful: the Leica Cine 1 captivates with colour depth right to the edge thanks to triple RGB laser technology, Leica Image Optimization (LIO™), Leica Summicron lens and 4K resolution. All of this, in combination with impressive image brightness of up 3,000 ANSI lumens ensures nuanced, vivid colours and high-contrast contours in a variety of ambient light conditions in 80\*, 100 or 120 inch image sizes.

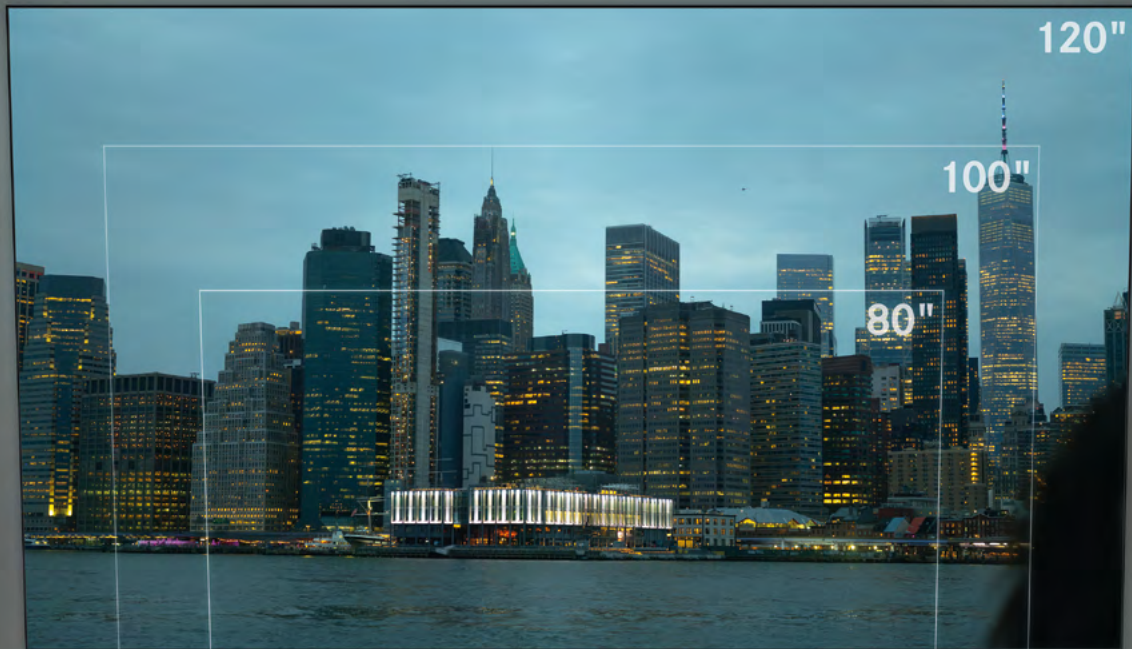
\*Only available in Europe, excluding UK.

---

## VIVID FILM PROJECTIONS FROM THE SHORTEST DISTANCE

Sharp contrasts and intense colour depth right to the edge: from a wall distance of only 25 cm (approx.) at 100 inches image size, the ultra-short distance projection of the Leica Cine 1 produces every film scene with breathtaking brilliance, natural colours and the finest resolution.





120"

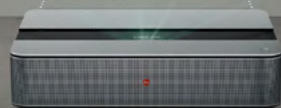
100"

80"

362 mm

254 mm

140 mm



---

## DESIGNED FOR LEICA CINE 1

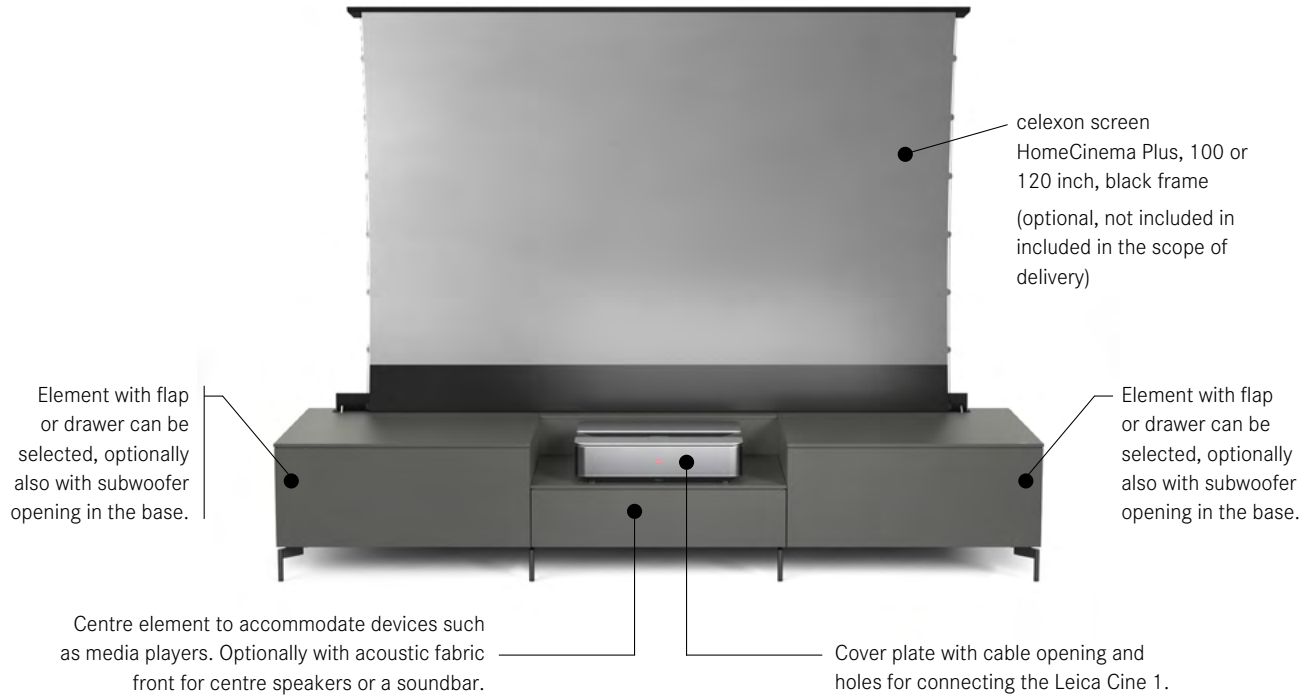
**Home cinema redefined: with the handmade and customisable furniture from Spectral.**

Developed exclusively for the Leica Cine 1, the special edition of the “Next furniture series” from Spectral is prepared for a built-in motorised high-contrast screen from Celexon. This opens and closes automatically each time the ultra-short throw projector is switched on and off and is therefore only visible when in use.

The unique, multi-layered surface structure of the screen effectively increases the black level and eliminates any possible “grey haze” caused by ambient light in the room. The perfect choice for an authentic home cinema experience.

[www.spectral.eu/leica](http://www.spectral.eu/leica)  
[LEICA-CINEMATV.COM](http://LEICA-CINEMATV.COM)







---

## ROOM CONCEPTS - INNOVATION INSPIRED BY TRADITION.

Kettnaker has been developing and manufacturing modular furniture in Dürmentingen, Swabia, for 150 years. Similarly to Leica, the furniture manufacturer Kettnaker also relies on unique craftsmanship. A wide variety of products and materials make it possible to produce modern furniture made to specification, on the basis of a custom system, therefore creating a unique piece every time. These individual pieces impress

with functionality and aesthetics, and above all they reflect the personality of their owners, just like this specially designed concept furniture for the Leica Cine 1. Made in Germany: Values and quality connect both high-tech and craftsmanship, as well as Leica and Kettnaker, resulting in a combination that complements each other in technique and visually flows together perfectly.

---

# Kettmaker



---

**TURNS A ROOM  
INTO A MASTERPIECE.**

A modular shelving system made for the diversity of life. Endless design variations form a symbiosis with the Leica Cine 1 and enhance every living space in its own way – unique, special and elegant. A piece of furniture for everything that accumulates over time, the many small things that tell their own stories, and the numerous home cinema experiences that are waiting to be told with the Leica Cine 1.

## TECHNICAL DATA



Model Name	LEICA CINE 1   120	LEICA CINE 1   100	LEICA CINE 1   80
Projection Size	120"	100"	80"
DLP	0.47" XPR	0.47" XPR	0.47" XPR
Resolution	3840 x 2160 px (4K)	3840 x 2160 px (4K)	3840 x 2160 px (4K)
Interfaces	3 x HDMI, 2 x USB, LAN, Triple TV-Tuner	3 x HDMI, 2 x USB, LAN, Triple TV-Tuner	3 x HDMI, 2 x USB, LAN, Triple TV-Tuner
Gaming Mode	Yes, Latency < 60 ms 4K@60Hz	Yes, Latency < 60 ms 4K@60Hz	Yes, Latency < 60 ms 4K@60Hz
Lumen Output	Approx. 3000 lm	Approx. 3000 lm	Approx. 2500 lm
BT.2020 Coverage	> 100 %	> 100 %	> 100 %
Smart-TV	VIDAA 6.0	VIDAA 6.0	VIDAA 6.0
Light Source	Direct Triple RGB-Laser	Direct Triple RGB-Laser	Direct Triple RGB-Laser
Dimensions LxWxH (console only)	600 x 378 x 149 mm	600 x 378 x 149 mm	600 x 378 x 149 mm
Weight (console only)	Approx. 15.1 kg	Approx. 15.1 kg	Approx. 13.6 kg
Dolby Atmos®	Yes	Yes	Yes
HDR Modes	Dolby Vision® / HDR10 / HLG	Dolby Vision® / HDR10 / HLG	Dolby Vision® / HDR10 / HLG

## GREAT CINEMA – IN YOUR OWN LIVING ROOM

 <p><b>LIO™</b> Leica Image Optimization</p>	 <p>Up to 3,000 ANSI LUMENS</p>	 <p>Leica Design</p> <p>Triple RGB-Laser</p>	 <p>Leica Summicron Lens</p>
 <p>Dolby VISION • ATMOS</p> <p><b>4K</b> Ultra High Definition</p>	 <p><b>HDR10</b> High Dynamic Range</p>	 <p>VIDAA Smart-TV</p>	
 <p><b>60 Hz</b> High refresh rate for smooth and natural transitions</p>		 <p>Filmmaker Mode™</p>	 <p>Leica Dust Cover</p>
 <p>Eye-friendly</p>	 <p>Ultra-short Distance Projector</p>	 <p>Over 100 % in BT.2020 HDR, HLG, Dolby Vision®</p>	 <p>Maximum Connectivity</p> <p>Over 25,000 Hours Lifespan</p>



Discover more at:  
[leica-cinematv.com](https://leica-cinematv.com)



Your Leica Dealer:



A trademark of Leica Camera AG.  
“Leica” as well as product names = ® registered trademarks  
© 2024 Leica Camera AG  
Subject to modifications in design, specification, and offer.  
Leica Smart Projection GmbH | Am Leitz-Park 5 | 35578 Wetzlar  
Phone +49-6442-2080 | [leica-cinematv.com](https://leica-cinematv.com)

Best-Nr.: DE (99026), **EN (99027)**, FR (99028)