



# LEICA M6

Instruction manual



## FOREWORD

Dear Customer,

We wish you a great deal of fun and success taking photographs with your new Leica M6. Please read this manual thoroughly to familiarize yourself with the full scope of functions your camera has to offer.

You can find all information about the Leica M6 whenever you need it at <https://M6.leica-camera.com>.

Your Leica Camera AG

## SCOPE OF DELIVERY

Before using your camera for the first time, please check that the accessories supplied are complete.

- Leica M6
- Camera bayonet cover
- Carry strap
- Quick Start Guide
- Registration Flyer
- Battery DL1/3N 3V
- Battery compartment cover with slit
- Test certificate

Subject to changes in design and model type.

## REPLACEMENT PARTS / ACCESSORIES

Please contact Leica Customer Care or visit the Leica Camera AG website for information on the extensive range of Leica replacement parts/accessories:

<https://leica-camera.com/en-US/photography/accessories>

Only the accessories specified and described in this manual or by Leica Camera AG must be used with the camera. These accessories must only be used with this product. Third-party accessories may result in malfunctions or damage to the product.

Please read the chapters “Legal information”, “Safety remarks”, and “General information” before using your camera for the first time. Knowledge of the content will prevent inadvertent damage to the product, possible injuries and other risks.





## LEGAL INFORMATION

### COPYRIGHT NOTICE

Compliance with copyright laws is mandatory. The recording and publication of pre-recorded media like tapes, CDs or other published or broadcast material may breach copyright laws.

## LEGAL INFORMATION ABOUT THIS MANUAL

### COPYRIGHT

All rights reserved.

All text, images and graphics are subject to copyright and other laws to protect intellectual property. They must not be copied, modified or used for any purpose including trade purposes.

### TECHNICAL DATA

Product changes with regards to the product or services may have occurred after the editorial deadline. The manufacturer reserves the right to effect structural or shape changes, color deviations and changes to the scope of delivery or service, where these changes or deviations are reasonably acceptable for the customer, while taking into consideration the interests of Leica Camera AG. In that respect, Leica Camera AG reserves the right to changes and errors. The images in this manual may depict accessory, special features or other items that are not part of the standard scope of delivery or service. Some pages may contain model types and services, which are not offered in specific countries.

## BRANDS AND LOGOS

The brand names and logos used in this documented are protected trademarks. These brands or logos must not be used without prior approval by Leica Camera AG.

## LICENSE RIGHTS

Leica Camera AG intends to provide you with innovative and informative documentation. Due to the amount of creativity that has gone into its design, we ask for your understanding that Leica Camera AG must protect its intellectual property, including patents, trademarks and copyrights, and that possession of the documentation does not infer any licensing rights of the intellectual property of Leica Camera AG.

## REGULATORY INFORMATION

The production date of your camera is printed on the packaging. The date format is year/month/day.

## CE MARK

The CE mark on our products documents compliance with the fundamental requirements of applicable EU guidelines.

## DISPOSAL OF ELECTRICAL AND ELECTRONIC EQUIPMENT

(Applies within the EU and for other European countries with active waste separation policies.)



This device contains electric and/or electronic components which must not be disposed of in general household waste. Instead, it should be disposed of at a recycling collection point provided by your local authority.

This service is free of charge. Any standard or rechargeable batteries used in this device must be removed and disposed of separately in accordance with local regulations.

Please contact your local authorities, waste disposal collection point or the retailer, from whom you purchased the device for more information on correct waste disposal.



## SAFETY REMARKS

### GENERAL INFORMATION

- As a rule, you should store small parts like the battery cover as follows:
  - out of the reach of children
  - in a safe location, where they will not get lost or stolen
- State-of-the-art electronic components are sensitive to static discharge. You can easily pick up charges of several 10,000 volts by simply walking on synthetic floor coverings. A static discharge can occur when you touch the camera and especially if it is placed on a conductive surface. A static discharge on the camera housing poses no risk for the electronics. Despite built-in safety circuits, you should avoid direct contact with external camera contacts like those in the flash shoe.
- Use a cotton or linen cloth instead of a microfiber cloth from an optician's (synthetic) when cleaning the contacts. Make sure to discharge any electrostatic charge by deliberately touching a heating or water pipe (conductive, grounded material). Dirt deposits and oxidation on the contacts can be avoided by storing your camera in a dry location with the lens cap and flash shoe cap attached.
- Only use accessories specified for this model to prevent faults, short circuits or electric shock.
- Do not attempt to remove parts of the housing (covers) yourself. Repairs must be done at authorized service centers only.
- Protect the camera against contact with insect sprays and other aggressive chemicals. Petroleum spirit, thinner and alcohol must not be used for cleaning. Some chemicals and liquids can damage the camera housing or the surface finish.

- Rubber and plastics are known to expel aggressive chemicals and should therefore not be kept in contact with the camera for extended periods of time.
- Prevent any sand or dust or water penetration into the camera, e.g. during snowfall or rain or on the beach. Be extra careful when changing the lens and when inserting or removing the film pack. Sand and dust can damage the camera and lenses. Moisture can cause malfunctions and irreparable damage.

### LENS

- A camera lens can have the effect of a magnifying glass when exposed to direct frontal sunlight. The camera must therefore be protected against extended exposure to direct sunlight.
- Attaching the lens cap and keeping the camera in the shade or ideally in its camera case, will help prevent damage to the interior of the camera.

### BATTERY

- Any improper use of the batteries or the use of unapproved battery types may result in an explosion!
- Do not expose the battery to sunlight, heat, humidity or moisture for prolonged periods of time. Likewise, the batteries must not be placed in a microwave oven or a high-pressure container as this would pose a fire or explosion hazard!
- A damaged battery can damage the camera.
- The battery must be removed from the camera and must be replaced immediately in case of a strange smell, discoloration, deformation, overheating or leakage. Continued use of the battery may result in overheating, which can cause fire and/or explosion!
- Never throw batteries into a fire as they may explode.

- Keep the battery away from sources of heat in case of leakage or if you smell burning. Leaked fluid can catch fire!
  - Keep batteries out of the reach of children. Batteries can cause suffocation when swallowed. A swallowed battery can additionally cause severe internal injuries or death.
  - Call emergency services immediately if you think your child has swallowed or eaten a coin battery.
  - Inspect the product regularly and ensure that the battery compartment is correctly latched. Do not use the product if the battery compartment is not sufficiently secured.
  - Dispose of depleted batteries safely and immediately, keeping them out of the reach of children. A battery can still be hazardous, even if it can no longer power the device.
- Carry straps should also not be used for cameras/binoculars during sports activities that pose a risk of entanglement (e.g. when mountain climbing and similar outdoor activities).

## TRIPOD

- When using a tripod, make sure it is standing securely and turn the camera only by turning the tripod, not the actual camera. Ensure that the tripod screw is hand-tightened only. Avoid transporting the camera while the tripod is attached. You might injure yourself or others and the camera could get damaged.

## FLASH

- The use of incompatible flash units with your Leica M6 may result in irreparable damage to the camera and/or the flash unit.

## FIRST AID

- Battery fluid may cause blindness if it comes into contact with the eyes. Rinse the eyes thoroughly with clean water immediately. Avoid rubbing. Seek medical attention immediately.
- Leaked battery fluid poses an injury hazard when it comes in contact with clothing or skin. Rinse the affected areas thoroughly with clean water.

## CARRY STRAP

- Carry straps are usually made of very robust material. You should therefore keep it out of the reach of children. A carry strap is not a toy and poses a strangulation risk.
- Use the carry strap only for its intended purpose on a camera or on binoculars. Any other use poses the risk of injury and may possibly result in damage to the carry strap and is therefore not permitted.



## GENERAL INFORMATION

Please read the section about “Care/Storage” for more information about what to do in case of problems.

### CAMERA/LENS

- Make a note of the serial numbers of your camera and lenses, as this information will be extremely important in case of loss.
- Depending on model, you will find the serial number of your camera on the flash shoe or engraved in the underside of the camera.
- Make sure to always have a lens or the camera bayonet cover attached to prevent dust or other foreign bodies penetrating the camera.
- That is why you should always replace lenses quickly and in a dust-free environment.
- Never store the camera bayonet cover or the lens back cover in a pants pocket, as they will attract lint and dust, which could then be accidentally introduced into the camera.

### BATTERY

- Always remove the battery if the camera will not be used for an extended period of time.
- Dispose of damaged batteries in accordance with the relevant regulations at an approved collection point for proper recycling.
- Oxidation of the battery exterior can interrupt the power circuit and cause the LEDs to turn off. The batteries must in this case be removed and cleaned with a clean cloth. It may also be necessary to clean the contacts inside the camera.

### FILM

- Ensure that the ISO value of the film is set correctly on the ISO setting dial.
- Have your exposed film developed directly.



## WARRANTY

In addition to your statutory warranty rights regarding your dealer, you will receive an additional Leica Camera AG product warranty valid from the date of purchase at an authorized Leica retailer. Previously, the product warranty was included with the product in the packaging. From now on, the product warranty will only be available online as a new service. You will be able to review the warranty conditions for your product at any time, without having to search for the document. Please note that this new policy applies only for products that are no longer delivered with a hardcopy product warranty included in the packaging. Any products still delivered with the warranty document in the packaging remain governed exclusively by that document. For more information regarding the warranty scope, warranty services and limitations, please visit: <https://warranty.leica-camera.com>

# TABLE OF CONTENTS

FOREWORD.....	2
SCOPE OF DELIVERY .....	2
REPLACEMENT PARTS / ACCESSORIES .....	3
LEGAL INFORMATION.....	4
SAFETY REMARKS .....	6
GENERAL INFORMATION .....	8
WARRANTY.....	9
TABLE OF CONTENTS .....	10
PART DESIGNATIONS .....	12
DISPLAYS .....	16
PREPARATION .....	18
<b>ATTACHING THE CARRY STRAP</b> .....	18
<b>INSERTING/REMOVING THE BATTERY</b> .....	18
<b>LENS</b> .....	19
COMPATIBLE LENSES.....	19
LENSES WITH LIMITED COMPATIBILITY.....	19
INCOMPATIBLE LENSES.....	19
CHANGING THE LENS .....	20
<b>DIOPTRIC COMPENSATION</b> .....	21
<b>CAMERA OPERATION</b> .....	22
<b>CONTROL ELEMENTS</b> .....	22
SHUTTER BUTTON.....	22
SHUTTER-SPEED DIAL .....	22
ISO SETTING DIAL .....	23
FILM ADVANCE LEVER .....	23
REWIND CRANK.....	24

REWIND LOCKING LEVER.....	24
IMAGE FIELD SELECTOR .....	25
<b>REPLACING THE FILM PACK</b> .....	25
OPENING/CLOSING THE CAMERA.....	26
COCKING THE SHUTTER.....	27
REWINDING THE FILM PACK .....	27
REMOVING THE FILM PACK.....	28
INSERTING THE FILM PACK.....	28
ADVANCING TO THE FIRST EXPOSURE .....	29
<b>PHOTOGRAPHY</b> .....	30
<b>ISO SENSITIVITY</b> .....	30
<b>IMAGE COMPOSITION</b> .....	31
IMAGE FIELD (BRIGHT-LINE FRAME) .....	31
<b>FOCUSING</b> .....	33
SUPERIMPOSED IMAGE METHOD (DOUBLE IMAGE) .....	33
SPLIT IMAGE METHOD.....	33
<b>EXPOSURE</b> .....	34
EXPOSURE METERING METHOD.....	34
EXPOSURE METERING .....	35
EXPOSURE SETTING.....	35
AUXILIARY EXPOSURE DISPLAYS.....	35
<b>CHALLENGING SHOOTING CONDITIONS</b> .....	36
EXTRA BRIGHT OR DARK OBJECTS .....	36
OBJECTS WITH VERY HIGH CONTRAST SCOPE .....	37
LONG-TERM EXPOSURE (B).....	37
<b>FLASH PHOTOGRAPHY</b> .....	38
COMPATIBLE FLASH UNITS.....	38
ATTACHING FLASH UNITS .....	39
<b>CARE/STORAGE</b> .....	40
<b>INDEX</b> .....	42
<b>TECHNICAL DATA</b> .....	44

LEICA CUSTOMER CARE.....48

LEICA ACADEMY .....49



**Definition of the various categories of information found in this manual**

**Note**

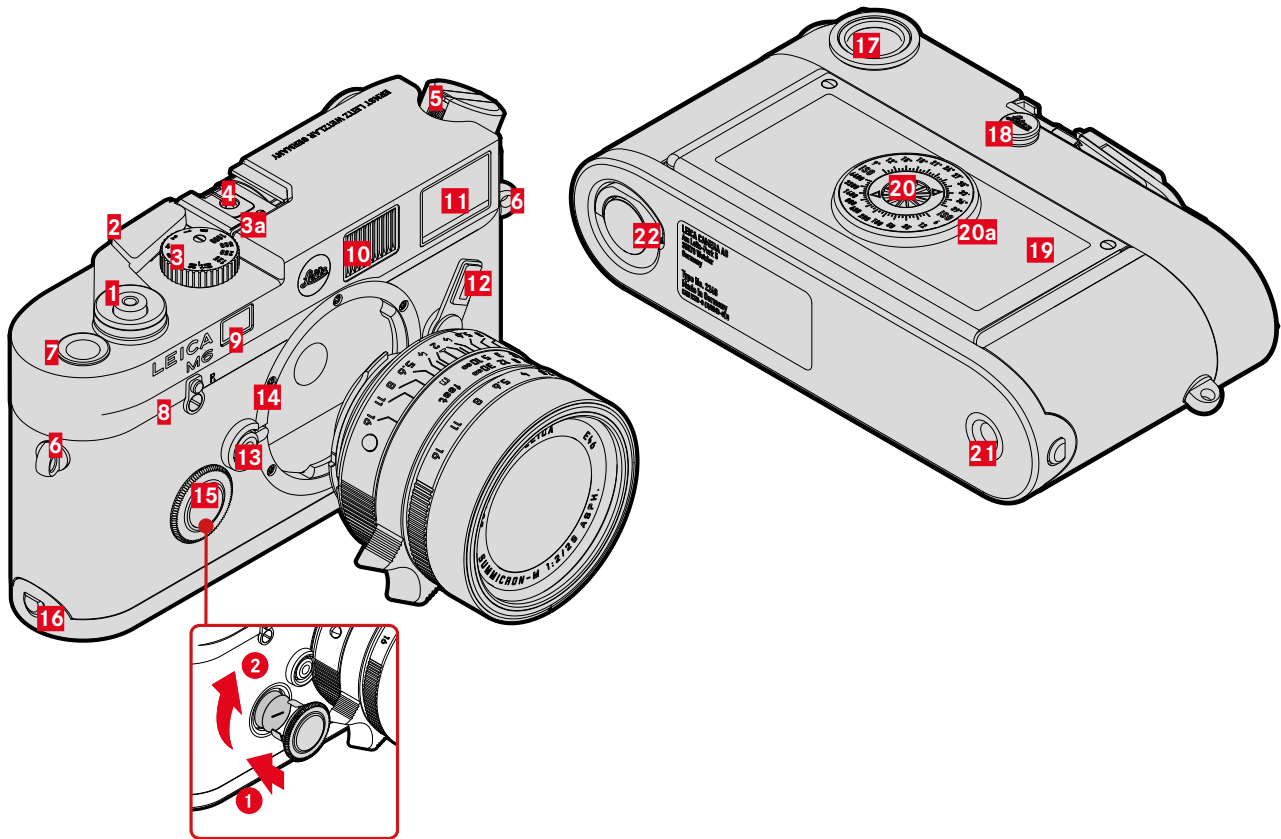
Additional information

**Important**

Failure to comply with instructions may result in damage to the camera, the accessories or the recordings

**Attention**

Non-compliance may result in personal injury

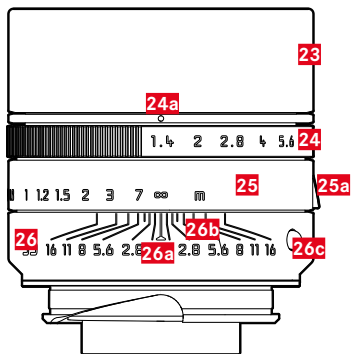


## LEICA M6

- 1** Shutter button
- 2** Film advance lever
- 3** Shutter-speed dial with stop positions
- a** Alignment point for shutter-speed dial
- 4** Accessory shoe
- 5** Fold-out rewind crank
- 6** Strap lugs
- 7** Exposure counter
- 8** Rewind locking lever
- 9** Rangefinder window
- 10** Illuminating window for bright-line frame
- 11** Viewfinder window
- 12** Image field selector
- 13** Lens release button
- 14** Leica M bayonet
- 15** Battery compartment with cover
- 16** Bottom cover locking point
- 17** Viewfinder eyepiece
- 18** Contact jack for flash units with cable connection
- 19** Rear cover (hinged)
- 20** ISO setting dial
- a** Scale
- 21** Tripod thread A ¼, DIN 4503 (¼")
- 22** Locking toggle for bottom cover



## LENS\*



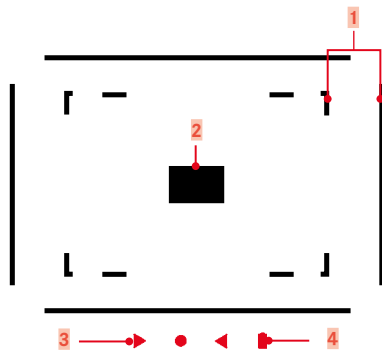
- 23 Lens hood
- 24 Aperture ring with scale
  - a Index for aperture values
- 25 Focus ring
  - a Focus tab
- 26 Fixed ring
  - a Alignment point for focusing
  - b Depth of field scale
  - c Alignment button for lens replacement

\* Not included in the delivery. Representative image. Technical designs may vary depending on included features.





## DISPLAYS



- 1 Bright-line frame
- 2 Metering field for focusing
- 3 LED display






- Concurrently as light balance for exposure compensation. The triangular LEDs give the direction of rotation of the aperture ring and shutter-speed dial to adjust the exposure.
- Warning before the measuring range is undercut (triangular LED on the left)

- 4 Battery warning indicator

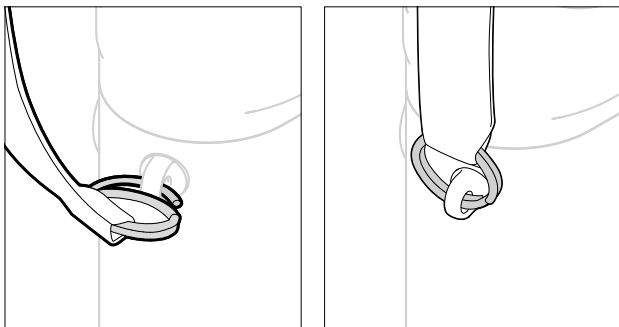


## BATTERY WARNING INDICATOR

Die Battery warning indicator in the viewfinder indicates the charge level of the battery while the shutter button is tapped and held.

Display		Charge level
	Only the light balance appears.	The charge level of the battery/batteries is good.
	The battery-shaped LED is lit in addition to the light balance.	The batteries will have to be replaced soon. Precise exposure metering will continue to be guaranteed regardless.
	Only the battery-shaped LED is lit (or no displays at all appear).	The batteries need replacing.

## ATTACHING THE CARRY STRAP

**Attention**

- Once you have attached the carry strap, please make sure that the clips are mounted correctly to prevent the camera from falling.

## INSERTING/REMOVING THE BATTERY

The Leica M6 requires two silver oxide coin batteries (PX76/SR44) or one lithium battery (DL1/3N) for exposure metering.

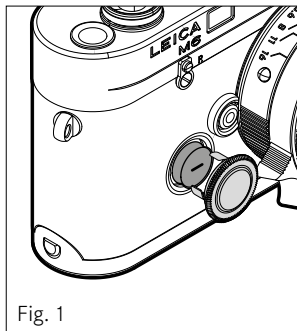


Fig. 1

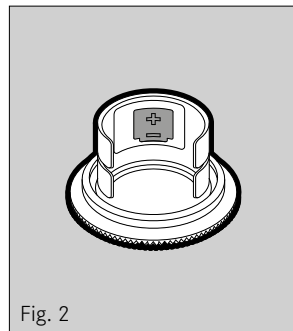


Fig. 2

- ▶ Unscrew the cover over the battery compartment in counter-clockwise direction
  - Depending on the country version, a tool (a flat-tip screwdriver, a coin or similar) may be required to open/close the cover over the battery compartment.
- ▶ Place the battery with the plus pole facing the opening into the battery compartment (fig. 2).
  - Any residual oxidation on the battery must be removed before inserting the battery.
- ▶ Position the cover over the battery compartment correctly
- ▶ Reattach and screw in the locking screw in clockwise direction

**Note**

- Ensure that the cover over the battery compartment is sufficiently tightly attached.

## LENS

### COMPATIBLE LENSES

#### LEICA M LENSES

Most Leica M lenses can be used with any lens equipment (with or without 6-bit encoding in the bayonet).

Please read the following sections for details on the very few exceptions and limitations.

#### Notes

- Leica M lenses come with a control curve that mechanically transfers the set distance to the camera to allow manual focusing via the rangefinder of the Leica M camera. Please note the following when using the rangefinder with wide-aperture lenses ( $\leq 1.4$ ):
  - The focusing mechanism of every camera and every lens is adjusted individually at the Leica Camera AG factory in Wetzlar with the greatest possible precision. Extremely narrow tolerances are adhered to in this process, which allow precise focusing of every camera/lens combination in photography.
  - If wide-aperture lenses ( $\leq 1.4$ ) are used with an open aperture, the then sometimes resulting very low depth of field, and inaccuracies in focusing with the rangefinder may lead to setting errors resulting from the (added) overall tolerance of the camera and lens. It can therefore not be ruled out that a specific camera/lens combination may result in systematic deviations.
  - We recommend having the lens and camera checked by Leica Customer Care if you notice a general deviation of the focal position in a specific direction over time. Our technicians will ensure that both products are calibrated within the permissible overall tolerance. However, a 100% match of the focal position cannot be achieved for all pairings of cameras and lenses.

## LENSES WITH LIMITED COMPATIBILITY

### COMPATIBLE, BUT MAY POSE RISK OF DAMAGE TO THE CAMERA AND/OR LENS

- Lenses with retractable tube must only be used with the tube extended, i.e. never attempt to retract the tube while the lens is attached to the camera. This does not apply for the current Makro-Elmar-M 90 f/4 model, as its tube will not retract into the camera itself and can therefore be used without restriction.
- When using heavy lenses attached to a tripod-mounted camera, e.g. Noctilux 50 f/0.95 or Leica R lenses with an adapter: Make sure that the tilt of the tripod head cannot move inadvertently when the camera is not held. A sudden tilt and impact could result in damage to the lower edge of the camera bayonet. That is why you should always use the tripod mount on relevantly equipped lenses.

### COMPATIBLE, BUT EXACT FOCUSING MAY BE LIMITED

Despite the high precision of the rangefinder on the camera, exact focusing with 135 mm lenses with an open aperture cannot be guaranteed due to the very low depth of field. We therefore recommend stopping down by at least 2 steps.

### INCOMPATIBLE LENSES

- Hologon 15 f/8
- Summicron 50 f/2 with close-up function
- Elmar 90 f/4 with retractable tube (manufactured 1954-1968)
- Some examples of the Summilux-M 35 f/1.4 (non-aspherical, manufactured 1961-1995, Made in Canada) cannot be attached to the camera or cannot focus to infinity. Leica Customer Care can modify these lenses for use with the camera.

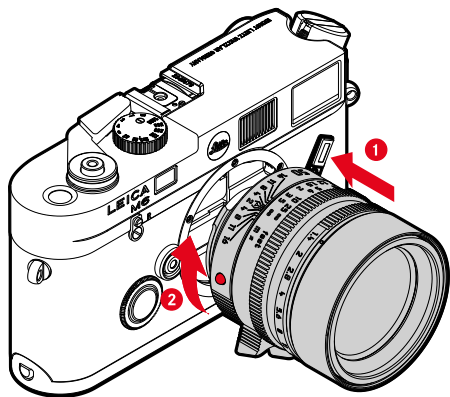




## CHANGING THE LENS

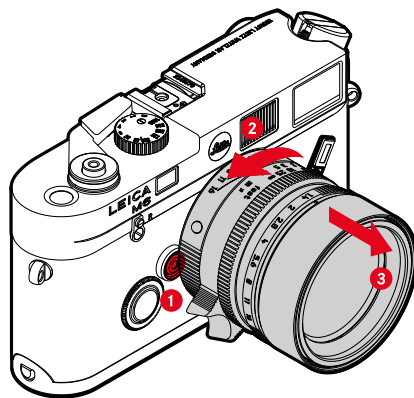
### LEICA M LENSES

#### ATTACHING



- ▶ Hold the lens by the fixed ring
- ▶ Position the alignment button on the lens opposite the release button on the camera housing
- ▶ Attach the lens in this position
- ▶ Turn the lens clockwise until you hear and feel it click into place

#### DETACHING



- ▶ Hold the lens by the fixed ring
- ▶ Press and hold the release button on the camera housing
- ▶ Turn the lens counter-clockwise until the alignment button is opposite the release button
- ▶ Detach the lens

#### Important

- Make sure to always have a lens or the camera bayonet cover attached to prevent dust or other foreign bodies penetrating the camera.
- That is why you should always replace lenses quickly and in a dust-free environment.
- When film is loaded, the lens should be changed in the shadow of the body, as light could fall through the shutter in direct sunlight.



## DIOPTER COMPENSATION

A diopter compensation function for up to  $\pm 3$  diopter is available for users of eye glasses.

The rangefinder can be fitted with an optional Leica correction lens for that purpose.

<https://store.leica-camera.com>

- ▶ Attach the correction lens flat against the viewfinder eyepiece
- ▶ Tighten in clockwise direction

### Notes

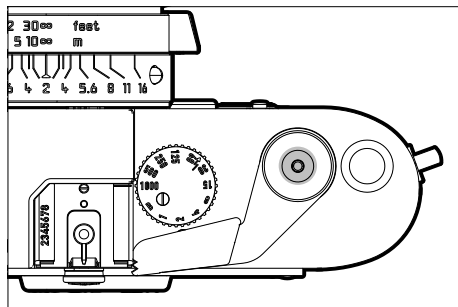
- Please note the information provided on the Leica homepage for the selection on an appropriate correction lens.
- Please note that the default viewfinder setting of the Leica M6 is  $-0.5$  diopter. If you wear eye glasses with 1 diopter, you will need a correction lens with  $+1.5$  diopter.



## CAMERA OPERATION

### CONTROL ELEMENTS

#### SHUTTER BUTTON



The shutter button works in two stages.

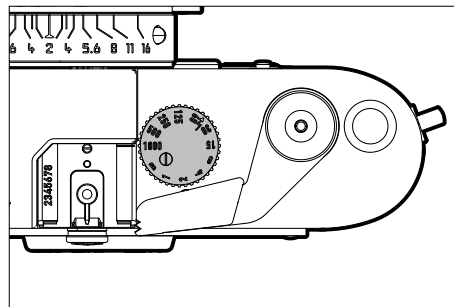
1. **Tapping** (= Pressing the shutter button to the 1st pressure point)
  - Activating exposure metering
2. **Press down fully**
  - Shutter release

#### Notes

- Press down the shutter button in a smooth motion until you hear the click of the shutter to prevent camera shake.
- The shutter button remains locked until the shutter is cocked.
- The shutter comes equipped with a standard thread for a wired release button.

#### SHUTTER-SPEED DIAL

The shutter-speed dial features a stop between the positions **1000** and **B**. It clicks into place at each of the engraved positions. Intermediate positions outside the click positions must not be used. Please read the section “Exposure” (see p. 34) for details about exposure settings.

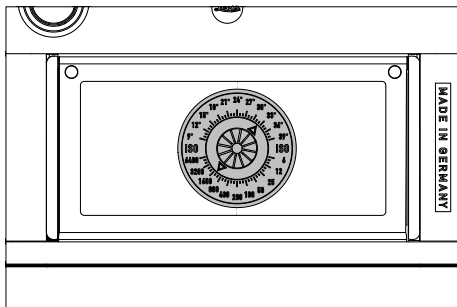


- **1000 - 1**: Fixed shutter speeds of 1/1000s to 1 s
- **B**: Long-term exposure (bulb), Deactivation of exposure metering (= Off position)
- **⚡**: The shortest possible sync speed (1/50s) for flash mode

#### Note

- When transporting the camera in a carry bag if it will not be used for an extended period of time, the shutter-speed dial should be set to **B**. Accidental activation of the exposure metering will be avoided and battery life is extended.

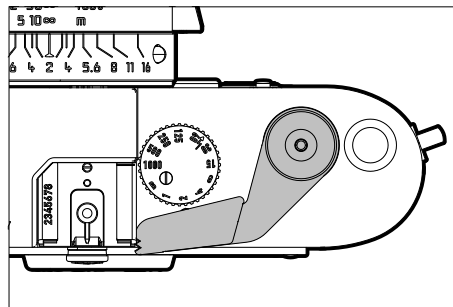
## ISO SETTING DIAL



The sensitivity of the film used must be set to ensure a correct exposure metering function. Choose a click value engraved on the ISO setting dial. The film sensitivity settings are stated in ISO and degrees. Choose a sensitivity between ISO 6/9° and ISO 6400/39°.

- ▶ Turn the ISO setting dial until the triangular index points to the correct value.
  - Opposite values indicate the same film sensitivity in ISO or in degrees (DIN).

## FILM ADVANCE LEVER

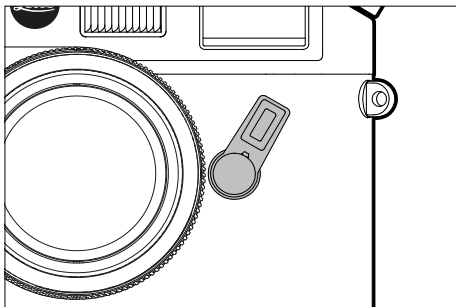


- Film transport to the next exposure
- Cocking the shutter release





## IMAGE FIELD SELECTOR



- Temporary display of alternative bright-line frames

## REPLACING THE FILM PACK

The inserted film is fully exposed and must be replaced if the shutter can no longer be cocked.

### Replacing the film pack

- ▶ Rewinding the exposed film pack (see p. 27)
- ▶ Removing the exposed film pack (see p. 28)
- ▶ Inserting a new film pack (see p. 28)
- ▶ Transport the film to the first exposure (see p. 29)

### Important

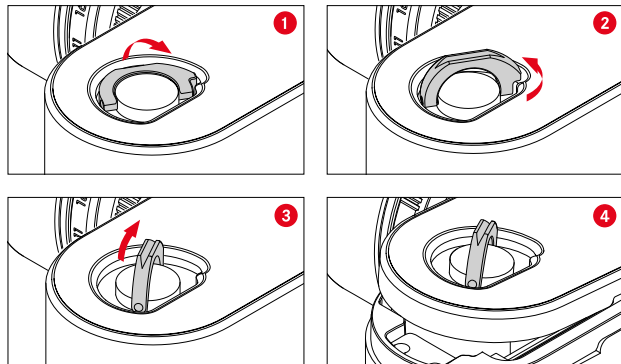
- The film pack must be fully rewound before it can be removed. Parts of the film could otherwise be ruined by ambient light.





## OPENING/CLOSING THE CAMERA

### OPEN

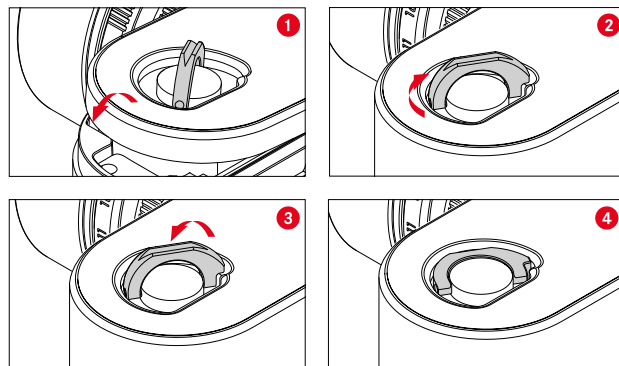


- ▶ Hold the camera with the base facing up
- ▶ Click up the locking toggle
- ▶ Turn the locking toggle in anti-clockwise direction
- ▶ Remove the bottom cover
- ▶ Flip open the rear cover

### Note

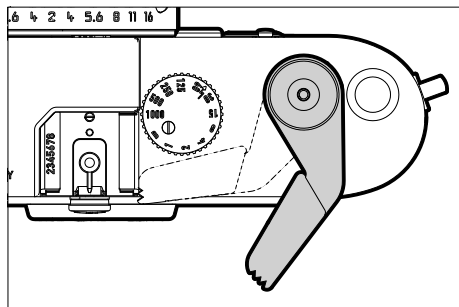
- The exposure counter is automatically set back to zero when the bottom cover of the camera is opened.

### CLOSE



- ▶ Hold the camera with the base facing up
- ▶ Flip the rear cover closed
- ▶ Hook the bottom cover onto the hinge pin on the side of the camera
- ▶ Flip the bottom cover closed
  - The rear cover must be pressed in completely and sit under the lip of the bottom cover.
- ▶ Turn the locking toggle in clockwise direction
- ▶ Click down the locking toggle
- ▶ Check that the bottom cover was inserted and closed correctly

## COCKING THE SHUTTER



The film advance lever has multiple functions: it cocks the shutter release, transports the inserted film to the next available exposure and moves the counter forward by one.

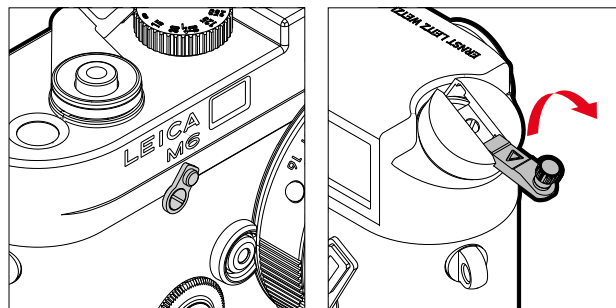
### Cocking the shutter release

- ▶ Press the film advance lever forward to the stop in one motion or
- ▶ Press the film advance lever several times until reaching the stop

### Notes

- The film advance lever can be folded in towards the center when it is not used.
- The exposure counter will advance every time the film advance lever is cocked – even if there is no film in the camera.

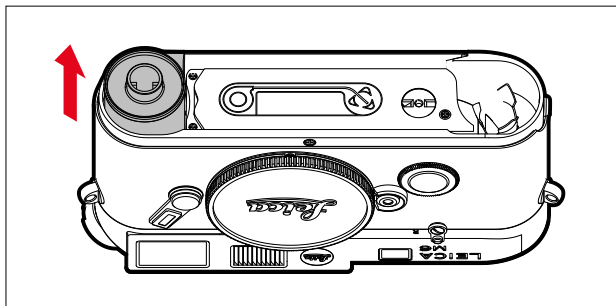
## REWINDING THE FILM PACK



- ▶ Move the rewind locking lever into the position **R**
- ▶ Fold out the rewind crank
- ▶ Turn the rewind crank in clockwise direction
  - The film will pull out of the winding spool after a little resistance.
- ▶ Continue turning the rewind crank a few more times
- ▶ Fold the rewind crank back in
- ▶ Tilt the rewind locking lever back into its vertical position

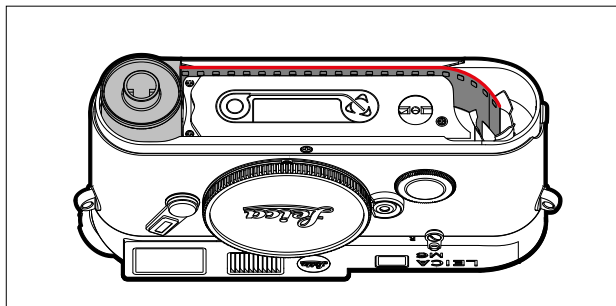


## REMOVING THE FILM PACK



- ▶ Hold the camera with the base facing up
- ▶ Open the camera (see p. 26)
- ▶ Pull out the film pack
- ▶ Store the film pack in a cool and dark location

## INSERTING THE FILM PACK



- ▶ Hold the camera with the base facing up
- ▶ Open the camera (see p. 26)
- ▶ Push the film pack approximately half-way into the recess in the camera
- ▶ Grab the start of the film and pull it into the winding spool on the other side of the camera
  - The schematic illustration on the base of the camera shows the correct end position.
- ▶ Use your fingertips to gently push the film pack and the start of the film into the camera
- ▶ Close the camera

### Important

- Do not check the film advance function while the camera is open, because the bottom cover is designed to guide the film into the correct position when closed.
- There are contacts for the transmission of the film sensitivity setting on the inside of the rear cover and on the relevant spot of the camera housing. These must be protected against dirt and direct contact with water.

### Notes

- The film start must be trimmed like every standard film stock.
- It will not affect function if the film start is pulled out so far that it sticks out of one of the slits on the opposite side of the mandrel. Only in sub-zero temperatures must the film be inserted exactly as shown in the schematic, meaning the film start must only be caught by one of the slits of the mandrel to prevent the tip of the film start breaking off.

### ADVANCING TO THE FIRST EXPOSURE

- ▶ Cock the shutter
- ▶ Shutter release
- ▶ Cock the shutter again
  - The film advances correctly if the rewind crank turns with the movement.
- ▶ Press the shutter release again
- ▶ Cock the shutter a third time
  - The exposure counter should now show “Exposure 1”.
  - The camera is now ready to shoot.





## PHOTOGRAPHY

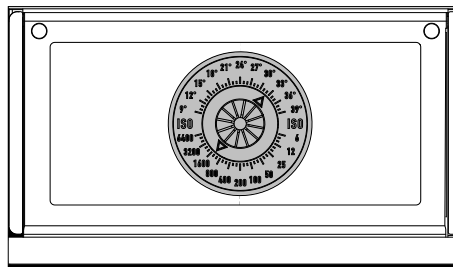
- ▶ Ensure that the film sensitivity set on the ISO setting dial matches the sensitivity of the inserted film
- ▶ Cock the shutter as needed (see p. 31)
- ▶ Specify the image field (see p. 31)
- ▶ Tap the shutter button
  - The exposure meter is activated and the light balance appears in the rangefinder. Once the shutter button is released, the exposure meter remains active for another approx. 14 s and the light balance remains visible.
- ▶ Determining the correct exposure (see p. 35)
  - It may be necessary to temporarily change the image section (highly center-weighted exposure metering) or apply a correction (see p. 36).
- ▶ Set the desired combination of shutter speed and aperture value
  - In addition to the correct exposure, various picture layout considerations like depth of field and the impression of movement play an important role.
- ▶ Use the focus ring to manually focus on the object
  - It may be necessary to temporarily change the image section, because the metering field is in the center of the image.
- ▶ Specify the final image section
- ▶ Shutter release
  - Exposure metering ends and the light balance disappears.

## ISO SENSITIVITY

The expected shooting conditions and intended use of the images play a role in choosing the right film sensitivity.

- Low sensitivity offers sharper and more finely grained results.
- High sensitivity allows shooting at low lighting or with shorter shutter speeds (e.g. for sports photography).

The sensitivity of the film used must be set via the ISO setting dial to ensure a correct exposure metering function. The film sensitivity settings are stated in ISO and degrees. Choose a sensitivity between ISO 6/9° and ISO 6400/39° at one of the click points.



- ▶ Turn the ISO setting dial until the triangular index points to the correct value.
  - Opposite values indicate the same film sensitivity in ISO or in degrees (DIN).

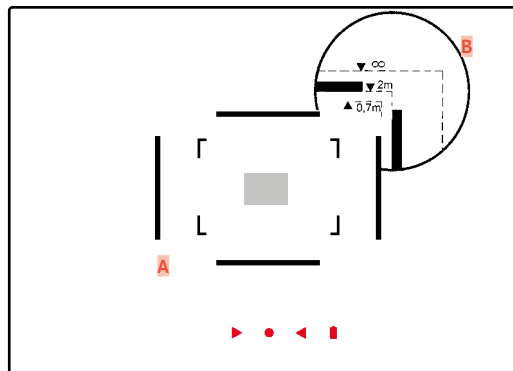
## IMAGE COMPOSITION

### IMAGE FIELD (BRIGHT-LINE FRAME)

The bright-line rangefinder of this camera is not just a very high-quality, large, brilliant and bright viewfinder – it also doubles as a highly precise, lens-coupled rangefinder. All Leica M lenses with focal lengths between 16 and 135 mm are coupled automatically when they are attached to a camera. The viewfinder has a magnification factor of 0.72x.

The bright-line frame is coupled with the focusing function in such a way that the parallax – the offset between the lens axis and the viewfinder axis – is compensated automatically.

The size of the bright-line frame corresponds to an image size of approx. 23x35 mm (slide format) at the shortest setting distance for each focal length. At distances under 2 m, the film captures slightly less than indicated by the inner edges of the bright-line frame, and slightly more at longer ranges (see adjacent diagram). These slight – in practical terms never important – deviations are unavoidable. The bright-line frames of a camera with viewfinder must be adjusted to the view angle of the focal length of the lens. The nominal view angle changes slightly when focusing due to the changing draw-out, i.e. the distance of the lens system to the film surface. When the set distance is below infinity (and the draw-out accordingly greater), the actual view angle also decreases – the lens captures less of the image object. The view angle differences at greater focal lengths tend to be larger due to the greater draw-out.



All pictures and bright-line frame positions at 50mm focal length

<b>A</b>	Bright-line frame
<b>B</b>	Actual image field
Set to 0.7 m	The film captures around one frame width less
Set to 2 m	The film captures exactly the image field shown within the inner edges of the bright-line frame
Set to infinity	The film captures approx. 1 or 4 (vertical or horizontal) frame width(s) more

### Note

- The rectangular distance measuring field, which is brighter than the surrounding metering field, is in the center of the viewfinder frame. Please read the relevant sections for more information about distance and exposure metering.



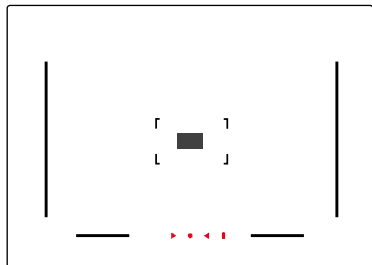
## SHOW ALTERNATIVE IMAGE RANGES/FOCAL LENGTHS

The relevant bright-line frame will light up in the combinations 35 mm + 135 mm, 50 mm + 75 mm or 28 mm + 90 mm when lenses with a focal length of 28 (Elmarit as of serial number 2 411 001), 35, 50, 75, 90 and 135 mm are used. The image field selector is set to the relevant position automatically.

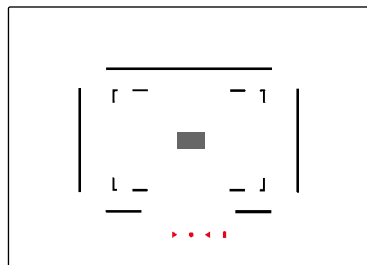
Additional bright-line frames may be displayed depending on the attached lens. These allow a simulation of the relevant focal lengths. This process helps in the selection of the right lens for the desired image range.

- ▶ Move the image field selector to the desired position
  - The image field selector will snap back automatically when released.

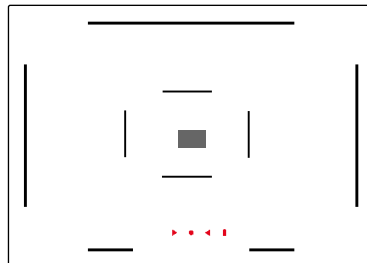
### 35 mm + 135 mm



### 50 mm + 75 mm



### 28 mm + 90 mm





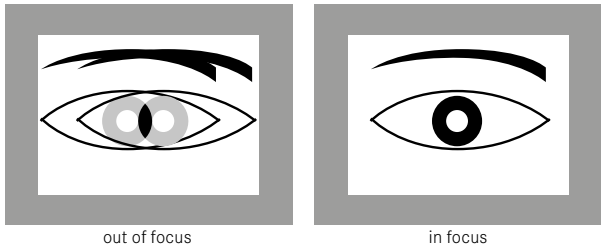
## FOCUSING

The rangefinder of this camera is very precise due to its wide and effective measurement base. The metering field of the rangefinder is displayed as a bright, sharp-edged rectangle and will always be in the middle of the image section.

Image sharpness can be set via the superimposed image or the split image method.

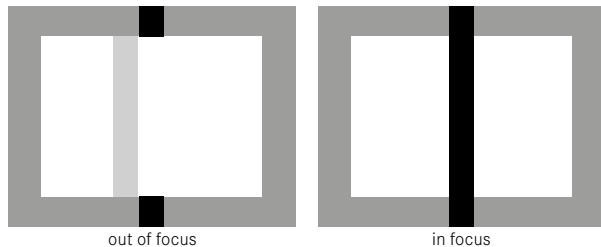
### SUPERIMPOSED IMAGE METHOD (DOUBLE IMAGE)

For a portrait, you might focus on the eyes using the metering field of the rangefinder, turning the focus ring on the lens until the contours are aligned exactly inside the metering field.



### SPLIT IMAGE METHOD

For an architectural photograph, you might aim the metering field of the rangefinder at e.g. the vertical edge or any other clearly defined vertical line and keep turning the focus ring on the lens until the edge contour or the line is visible at the outer edges of the metering field without any offset.



#### Note

- Very precise distance measurements are particularly beneficial when using wide-angle lenses with a relatively large depth of field.





## EXPOSURE

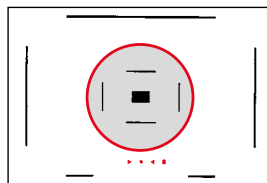
### EXPOSURE METERING METHOD

The Leica M6 does its exposure metering selectively via the lens with working aperture. The light reflected by a bright round metering dot in the middle of the first shutter curtain is captured and metered by a photodiode. This silicon photodiode with attached converging lens is positioned over the top left of the shutter. The metering field diameter is 12 mm.

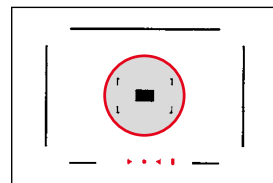
The exposure metering is therefore heavily center-weighted. Only those subject elements that are within a circular section around the center of the image will be considered.

#### Note

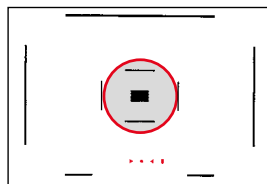
- The uneven coverage of the metering dot is due to the fact that no condensed and thick layer of paint can be applied to the flexible rubber lining of the shutter without negatively impacting on its function. The measuring accuracy, however, will not be lessened by that fact.



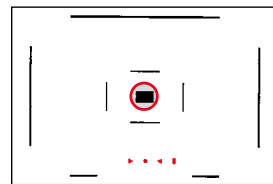
21 mm



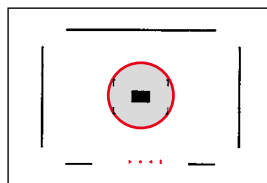
24 mm



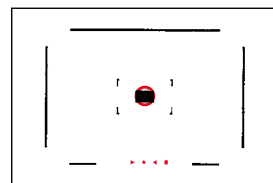
28 mm



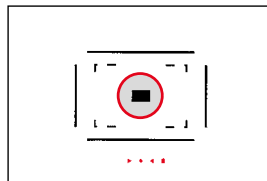
90 mm



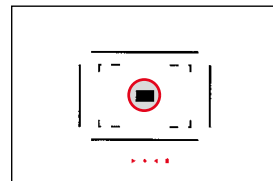
35 mm



135 mm



50 mm



75 mm



## EXPOSURE METERING

Exposure metering is activated by tapping the shutter button. The light balance in the rangefinder lights up and continuous measuring commences. Once the shutter button is released, the exposure meter remains active for another approx. 14 s.

### Notes






- The exposure meter is disabled when the shutter-speed dial is set to **B**.
- The exposure meter can only be activated if the shutter release is fully cocked.
- In the threshold area of the exposure meter (with very low ambient lighting) it may take approx. 0.2 s until the LEDs light up.
- Exposure metering is deactivated immediately when the picture is taken and the light balance disappears.

## EXPOSURE SETTING


The correction needed for the right exposure is displayed using the light balance consisting of three red LEDs. Only the round LED in the middle will light if the exposure setting is correct.

### AUXILIARY EXPOSURE DISPLAYS

In addition to the direction of rotation of the shutter-speed dial and aperture ring necessary for correct exposure, the three LEDs of the light balance in the viewfinder also indicate underexposure, overexposure and correct exposure:

	Underexposure by at least one aperture stop
	Underexposure by a 1/2 aperture stop
	Correct exposure
	Overexposure by 1/2 aperture stop
	Overexposure by at least one aperture stop

### Note

- When the measuring range of the exposure meter is undercut in a manual setting and very low light density, then the triangular LED () in the viewfinder on the left will flash as a warning. As exposure metering is done with the working aperture, the same can be achieved by stopping down the lens.



## CHALLENGING SHOOTING CONDITIONS

### EXTRA BRIGHT OR DARK OBJECTS

Exposure meters are calibrated for a medium gray scale value (18% reflection), which corresponds to a regular, i.e. average image subject.

Should the object reflect more light, e.g. a snowscape, on the beach, in front of brightly colored buildings or from a white wedding dress, a setting in accordance with the shutter speed and aperture suggested by the light balance would result in underexposure.

Conversely, objects with predominantly dark details (a black locomotive, a captain's dark blue uniform) would result in overexposure.



There are two basic solutions for this problem:

- Where possible, carry out exposure metering in another image section, where the object displays average reflection.
- The values delivered by the exposure meter are corrected manually from experience.

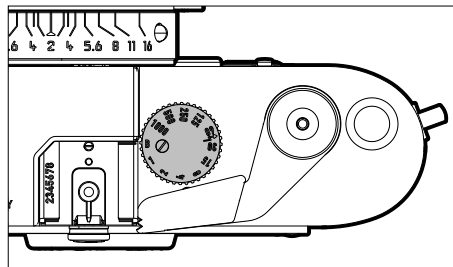
## OBJECTS WITH VERY HIGH CONTRAST SCOPE

The contrast range of an object comprises all levels of brightness from the brightest to the darkest point in the image. The exposure range of the films will not suffice for objects with lots of contrast between bright and dark areas to capture all brightness graduations in light and shadow. The metering of light and shadow and the resulting compromise exposure would generally result in unsatisfactory results, as graduations would be lost in the bright and in the dark image areas. Consciously smaller or greater exposure times will often reinforce the character of the image and can therefore be a useful image design tool.



## LONG-TERM EXPOSURE (B)

In **B** setting, the shutter remains open as long as the shutter button is pressed and held.



- ▶ Set the shutter-speed dial to **B**

### Note

- The exposure meter is disabled when the shutter-speed dial is set to **B**.



## FLASH PHOTOGRAPHY

The Leica M6 does not have an own flash metering and control feature. Flash exposure control will therefore have to be done via an attached flash unit (computer control) or set manually for each exposure in line with a guide number calculation based on the distance of the object to the camera.

The shortest possible exposure time for shots taken with electronic flash units, synch time 1/50s, is marked as **L** on the time setting dial.

Longer shutter speeds are possible and – by taking into account natural ambient light – can be beneficial for the image effect.

## COMPATIBLE FLASH UNITS

All commercial flash units with a standard flash synch terminal or center contact can be used with the Leica M6. We recommend using state-of-the-art thyristor-controlled electronic flash units.

### Important

- The use of incompatible flash units with your Leica M6 may result in irreparable damage to the camera and/or the flash unit.

### Notes

- A flash unit that is not ready to flash may cause incorrect exposures.
- Studio flash systems may have a very long flash firing duration. It may therefore be advantageous to select a slower shutter speed than 1/50s when using such a system. The same applies for RF-controlled flash firing for so-called “off-camera” flashes, as the transmission time may cause a delay.

## ATTACHING FLASH UNITS

Leica M6 offers two flash ports.

- An accessory shoe with center contact for all flash units with a standard flash shoe is located at the top of the camera.
- At the back (directly underneath the accessory shoe) is a synch port for a synch cable connection.

### Notes

- Two flash units can be fired at the same time by attaching one unit to the accessory shoe and one to the synch port.
- The camera and flash unit must be switched off before the connection is made.
- Please read the relevant manual provided with the device for more information about flash use and the various available flash modes.

## ATTACHING A FLASH UNIT VIA THE ACCESSORY SHOE

### ATTACHING THE FLASH UNIT

- ▶ Switch off the camera and flash unit
- ▶ Slide the foot of the flash unit all the way into the accessory shoe
- ▶ Close locking device where available (clamp ring, pushbutton or similar)
  - That is important, as it prevents the flash unit falling out or an interrupted contact due to movement.

### DETACHING THE FLASH UNIT

- ▶ Switch off the camera and flash unit
- ▶ Open locking device where available (clamp ring, pushbutton or similar)
- ▶ Detach the flash unit



## CARE/STORAGE

We recommend the following if the camera will not be used for an extended period of time:

- Switch off the camera
- Remove the battery

## CAMERA HOUSING

- Keep your equipment meticulously clean, as any kind of dirt residue presents a breeding ground for micro organisms.
- Only clean the camera with a soft, dry cloth. Stubborn dirt should first be moistened with a watered-down detergent and can then be wiped away with a dry cloth.
- Wet a soft cloth with tap water, wring it out thoroughly and use it to wipe down the camera. Then wipe it down thoroughly with a dry cloth.
- Wipe the camera with a clean, lint-free cloth to remove stains and fingerprints. Tougher dirt in hard to reach corners of the camera housing can be removed with a small brush. Make sure no to touch the shutter while doing that.
- Store the camera in a closed and padded container to prevent friction damage and protect it against dust accumulation.
- Keep the camera in a dry, sufficiently ventilated place, where it will not be subjected to high temperatures and humidity. Make sure to remove all moisture from the camera if it was used in humid conditions.
- Do not store the camera in a leather case for extended periods of time to prevent fungal contamination.
- Empty your camera bag completely if it ever gets wet during use. Your equipment might otherwise be subjected to moisture and tanning residue released by the moist leather.

- All mechanical bearings and sliding surfaces on your camera are lubricated. Remember to press the shutter button several times every three months to prevent the lubrication points hardening if the camera will not be used for an extended period of time. We also recommend repeated adjustment and use of all the other operating elements.
- When using your camera in tropical climates, make sure to expose the equipment to sunlight and fresh air as much as possible to prevent fungal growth. Storage in airtight containers or cases is recommended only in conjunction with a desiccant like silica gel.

## LENS

- A soft-bristle brush will usually suffice to remove dust from the outer lenses. Remove more severe soiling with a clean, soft cloth that is completely free of foreign matter. Wipe the lens in a circular motion from the center outward. We recommend using micro-fiber cloths that come in a protective container and are available from photography shops and other optical retailers. These cloths are machine-washable at 40°C. Do not use fabric softener and do not iron them. Never use spectacle lens cleaning cloths, as these are soaked in chemicals, which could damage the glass of the camera lenses.
- Attach a transparent UVA filter for optimal front lens protection in unfavorable conditions (e.g. sand, salt water spray). Please remember that the filter may create unwanted light reflections in some backlight situations.
- Lens caps also protect the lens against accidental fingerprint smudges and rain.
- All mechanical bearings and sliding surfaces on your lens are lubricated. Make sure to periodically move the focus ring and the aperture ring to prevent seizing if the lens will not be used for an extended period of time.



- Switch off your camera and leave it to stand at room temperature for around 1 hour if condensation has formed on or in the camera. The condensation will disappear, once the camera temperature has reached room temperature.

**A**

Accessories.....	3
Akademy, Leica.....	49

**B**

Battery, capacity.....	17
Battery, notes.....	6, 8
B function.....	37

**C**

Care.....	40
Carry strap.....	7, 18
Contact, Leica.....	48
Customer service.....	48

**D**

Disposal.....	5
---------------	---

**E**

Exposure.....	34
Exposure, long-term.....	37

**F**

Film advance lever.....	23
Fixed ISO value.....	23
Flash.....	38
Flash units, compatible.....	38
Focusing.....	33

Focus metering methods via rangefinder.....	33
---	----

**G**

General information.....	8
--------------------------	---

**I**

Image field.....	31
Information, regulatory.....	5
ISO Sensitivity.....	23, 30

**L**

Legal information.....	4
Leica Academy.....	49
Leica Customer Care.....	48
Lens.....	6, 19, 40
Light balance.....	35
Long-term exposure.....	37

**N**

Noise reduction.....	37
Notes, legal.....	4

**O**

Overview, parts.....	12
----------------------	----

**P**

Part Designations.....	12
------------------------	----

**R**

Rangefinder.....	31
------------------	----

Regulatory information.....	5
Repair.....	48
Replacement parts.....	3
Rewind crank .....	24

**S**

Safety remarks.....	6
Scope of delivery .....	2
Sensitivity, ISO.....	23, 30
Service.....	48
Shooting mode.....	30
Shutter button.....	22
Shutter release.....	22
Shutter-speed dial.....	22
Split image method .....	33
Storage .....	40
Superimposed image method.....	33

**T**

Technical Data .....	44
----------------------	----

**V**

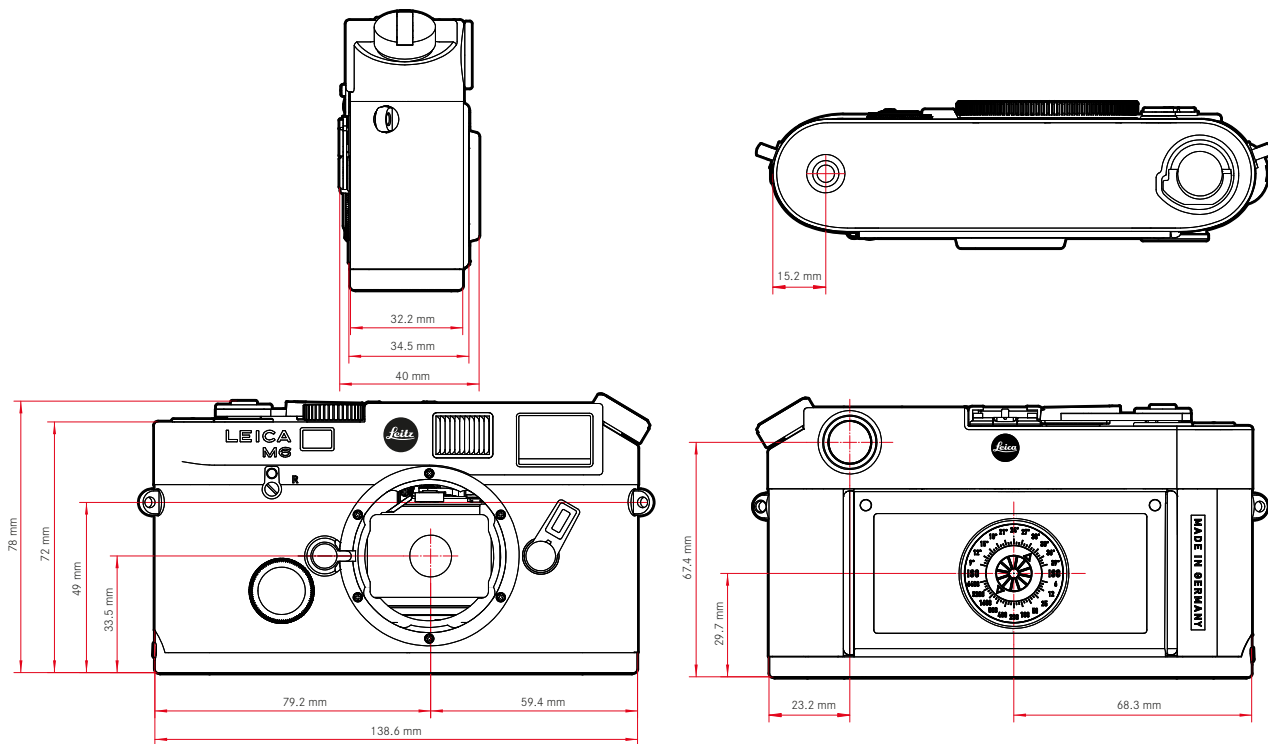
Viewfinder.....	16
-----------------	----

**W**

Warranty .....	9
----------------	---



# TECHNICAL DATA



**CAMERA****Designation**

Leica M6

**Camera type**

Analogue rangefinder system camera (35 mm)

**Type No.**

2248

**Order No.**

Black: 10557

**Material**

Closed full metal housing with hinged rear cover  
Top cover and bottom cover: brass, black finish

**Lens mount**

Leica M bayonet

**Operating conditions**

0°C to +40°C

**Interfaces**

ISO accessory shoe

**Tripod thread**

A 1/4 DIN 4503 (1/4") with stainless steel in the base

**Weight**

575 g (without battery)

**VIEWFINDER****Viewfinder**

Large, bright-line rangefinder with automatic parallax compensation  
Suitable for -0.5 dpt; optional corrective lenses available: -3 to +3 dpt

**Image field limiter**

Image field limiter: two lit frames: 35 mm + 135 mm, 28 mm + 90 mm,  
50 mm + 75 mm (automatic switchover when lens is attached)

Optional display of image field frame/bright-line frame

**Parallax compensation**

The horizontal and vertical difference between viewfinder and lens is compensated automatically in line with the relevant focus setting, meaning the bright-line frame of the viewfinder will be automatically congruent with the subject section captured by the lens.

**Viewfinder magnification**

0.72x (all lenses)

**Actual metering basis**

49.9 mm: 69.25 mm (mechanical metering basis) x0.72 (viewfinder magnification)

**Congruence of viewfinder and film image**

The bright-line frame size is identical to the shortest focus setting for each focal length of an image size of approx. 23x35 mm. With a setting to infinity (depending on focal length) approx. 9% (28 mm) to 23% (135 mm) more of the film will be captured than shown by the respective bright-line frame.

**Large-base rangefinder**

Split or superimposed image rangefinder shown at the center of the viewfinder image

**SHUTTER****Shutter type**

Focal plane shutter with rubber liner and horizontal gutter, mechanically controlled, extremely quiet

**Shutter speeds**

Mech. shutter: 1 s - 1/1000 s

Flash Synch: up to 1/50 s

**Shutter button**

Two-stage

(Step 1: activation of the camera electronics including exposure metering,  
Step 2: taking the shot)

Integrated standard thread for cable release

**ADVANCING THE FILM****Advance**

Manually with quick action lever or Leicavit-M (optional accessory) or motor-driven with Leica Motor-M, Leica Winder-M, Leica Winder M4-P, or Leica Winder M4-2

**Rewind**

Manually with rewind crank after flipping the R lever on the front of the camera

**Exposure counter**

On the top of the camera

Automatic reset after removal of the bottom cover

**FOCUSING****Working range**

70 cm to  $\infty$

**Focus Mode**

Manual

**EXPOSURE****Exposure metering**

TTL (exposure metering through the lens), with working aperture

**Measuring cell**

Silicone photodiode with converging lens at the top left behind the bayonet of the camera

**Film sensitivity range**

Manual settings between ISO 6/9° and ISO 6400/39°.

**Metering principle**

Measurement of light reflected by the metering dot in the middle of the 1st shutter curtain

Diameter of the metering dot: 12 mm (equal to approx. 13% of the full negative format or around 2/3 of the short side of the relevant bright-line frame in the rangefinder)

**Measuring range**

Flashing left triangular LED in the viewfinder indicates values below the measuring range

**Exposure modes**

Manual settings for shutter speed, aperture, and ISO sensitivity

Calibration via LED light balance

**FLASH EXPOSURE CONTROL****Flash unit connector**

Via the accessory shoe with center contact and via synch port

**Synchronization**

On the 1st shutter curtain

**Flash sync time**

f=1/50 s, slower shutter speeds available

**Flash exposure metering**

By way of computer control of the flash unit, or using a guide number calculation and manual setting of the required aperture

**POWER SUPPLY**

Two silver oxide coin battery (PX76/SR 44) or one lithium cell (DL1/3N)

At room temperature and 14 s metering time per shot, a set of fresh batteries will last for around 100 films with 36 exposures each, which makes for approx. 3600 shots (according to Leica test standards).





## LEICA CUSTOMER CARE

Please contact the Customer Care department of Leica Camera AG for the maintenance of your Leica equipment and for help and advice regarding Leica products and how to order them. You can also contact the Customer Care department or the repair service provided by your regional Leica subsidiary for repairs or warranty claims.

### LEICA GERMANY

#### Leica Camera AG

Leica Customer Care  
Am Leitz-Park 5  
35578 Wetzlar  
Germany

**Phone:** +49 (0)6441 2080-189

**Fax:** +49 (0)6441 2080-339

**Email:** [customer.care@leica-camera.com](mailto:customer.care@leica-camera.com)

<https://leica-camera.com>

### YOUR NATIONAL REPRESENTATIVE

You will find the Customer Care department responsible for your locality on our homepage:

<https://leica-camera.com/en-US/contact>



## LEICA ACADEMY

Have a look at our full seminar program with many interesting workshops on the topic of photography at:

<https://leica-camera.com/pl-PL/leica-akademie>

